

# ORIGIN 62 WC's

ORIGIN 62 Close Coupled WC Pan



## SPECIFICATION/CODE REFERENCE

Please use the reference codes shown below:

### ORI52PAKSC

SIZE 665 x 350mm

TRAP P Trap

SOFT CLOSE SEAT With quick release hinges

CISTERN 6/3 Litres

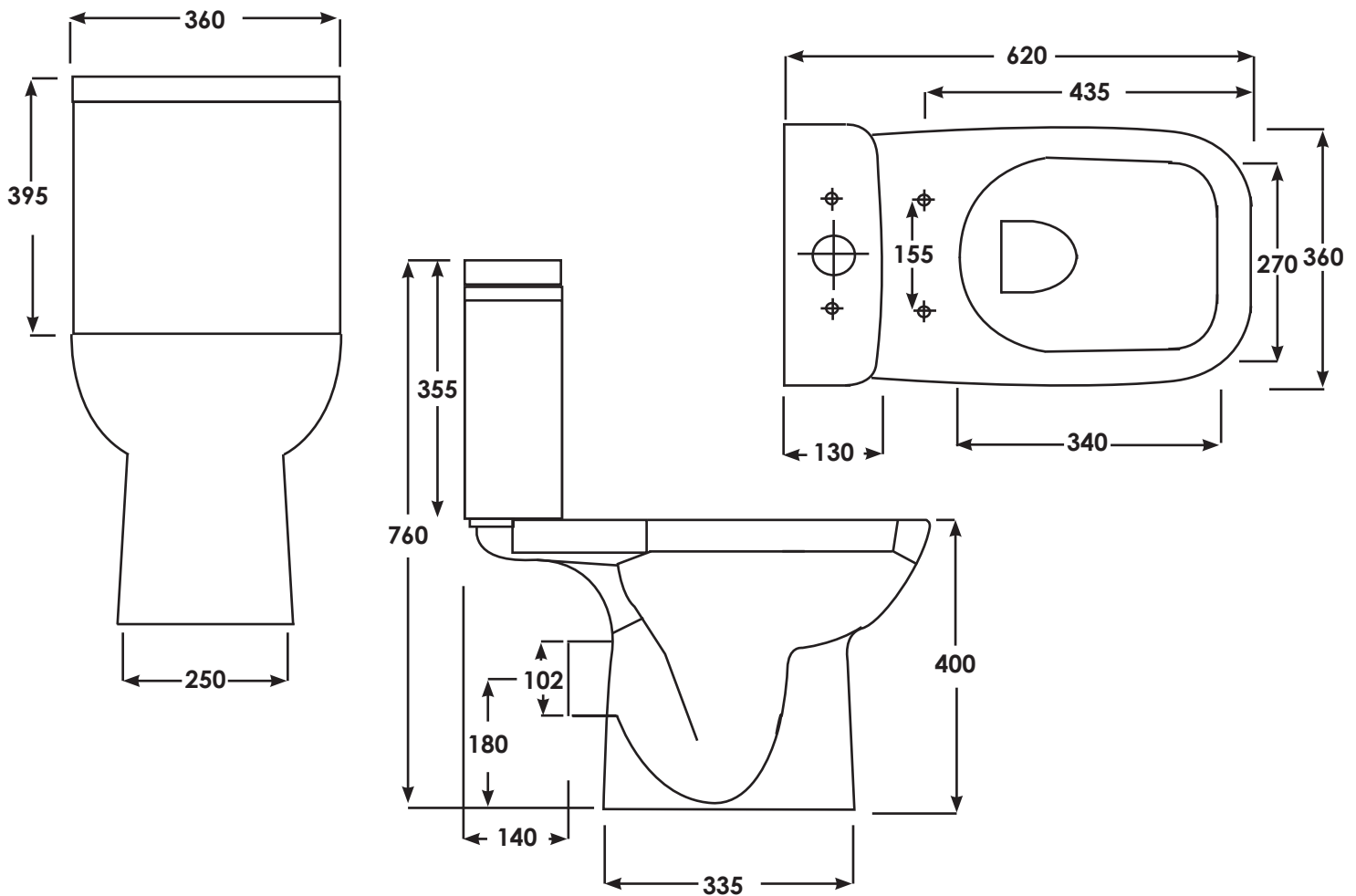
APPROVALS Pending

MATERIAL Vitreous China

WEIGHT 35.90 kg

COLOURS Alpine White

FIXING Floor fittings supplied



Dimensions: All measurements are in millimeters and are subject to normal manufacturing variations.

Note: Due to a continuing development programme to improve design and performance, the manufacturer reserves all rights to vary specifications without prior informations. Please note accessories are for photographic use only.

Tel: 01730 237850 Fax: 01730 263210. RAK Ceramics, Bradford House, Frenchmans Road, Petersfield, Hampshire GU32 3AW  
Contact us at: [info@rakceramics.co.uk](mailto:info@rakceramics.co.uk) / Visit us at: [www.rakceramics.co.uk](http://www.rakceramics.co.uk) 2015