



Assembly Instructions Lena Steam Cabinet

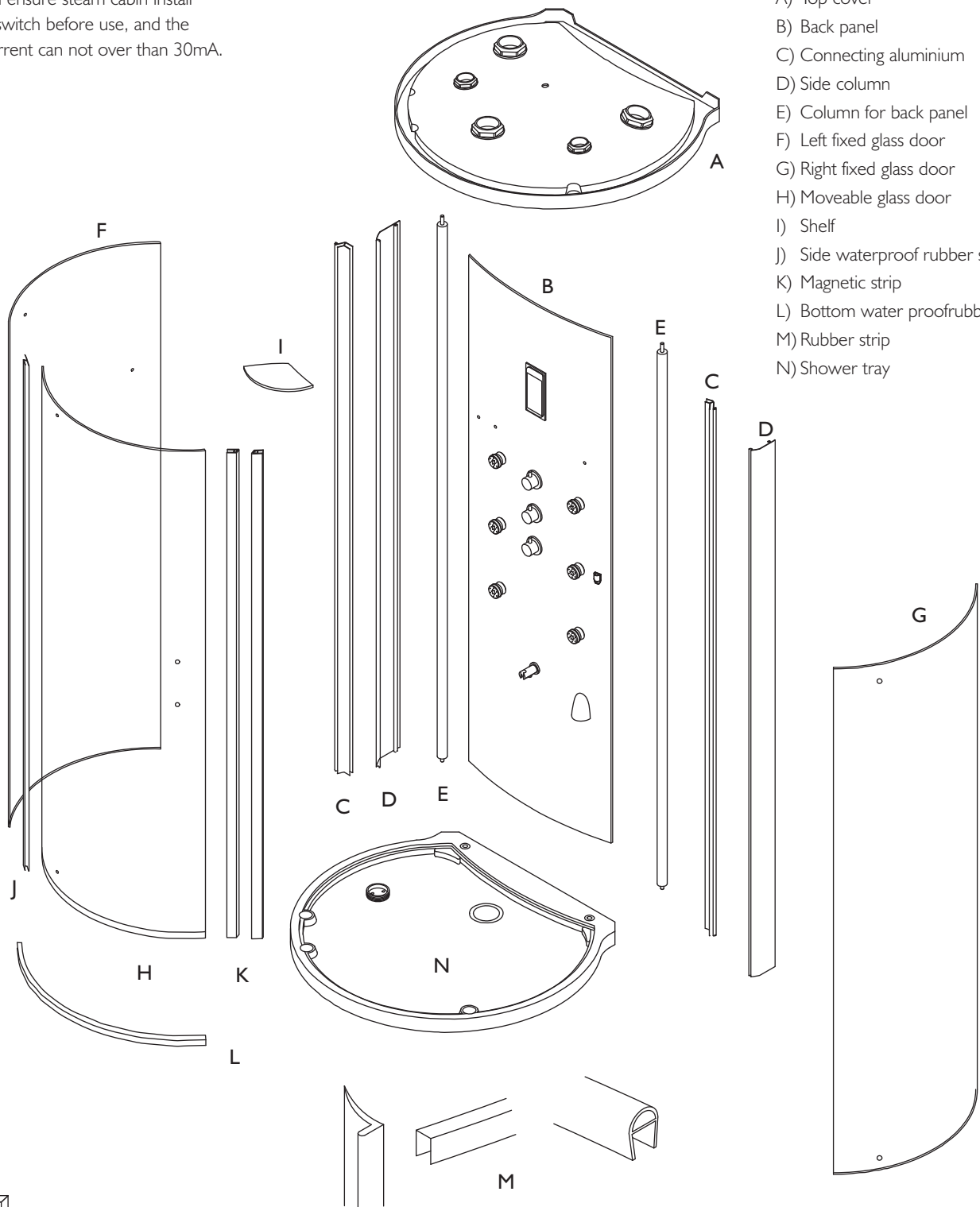
(tc)

traditional contemporary
bathrooms

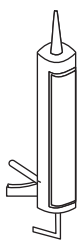
Assembly Instructions Lena Steam Cabinet

Check and ensure steam cabin install creepage switch before use, and the electric current can not over than 30mA.

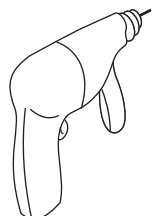
- A) Top cover x1
- B) Back panel x1
- C) Connecting aluminium x2
- D) Side column x2
- E) Column for back panel x2
- F) Left fixed glass door x1
- G) Right fixed glass door x1
- H) Moveable glass door x1
- I) Shelf x1
- J) Side waterproof rubber strip x1
- K) Magnetic strip x2
- L) Bottom water proof rubber strip x1
- M) Rubber strip x1
- N) Shower tray x1



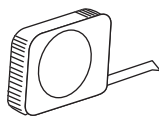
Spirit level



Glass glue



Electric drill



Tape measure



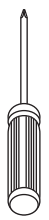
Allen Key



Rubber hammer








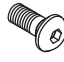



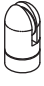








Pencil



Philips Screwdriver

Other accessories

Check the accessories when opening the box if there is any damage occurred on transportation. For any problem, feel free to contact the TC Helpline.

	Description	Qty		Description	Qty		Description	Qty
	Handle	x1		Towel bar	x1		M10 nut	x2
	Hinge of column	x4		Outside threaded connector	x2		M6x12 Hexangular bolt	x3
	Door hinge (up)	x1		Silicon rubber tray	x2		M6x20 Hexangular bolt	x2
	Door hinge (down)	x1		Black rubber tray	x2		Washer of M6 nut	x2
	Connector of shelf	x1		Screw 4.2x30	x4		M6x30 Hexangular bolt	x2
	Stool	x1		Fixed block of column	x2		Washer of M6 nut	x3

Recommendations

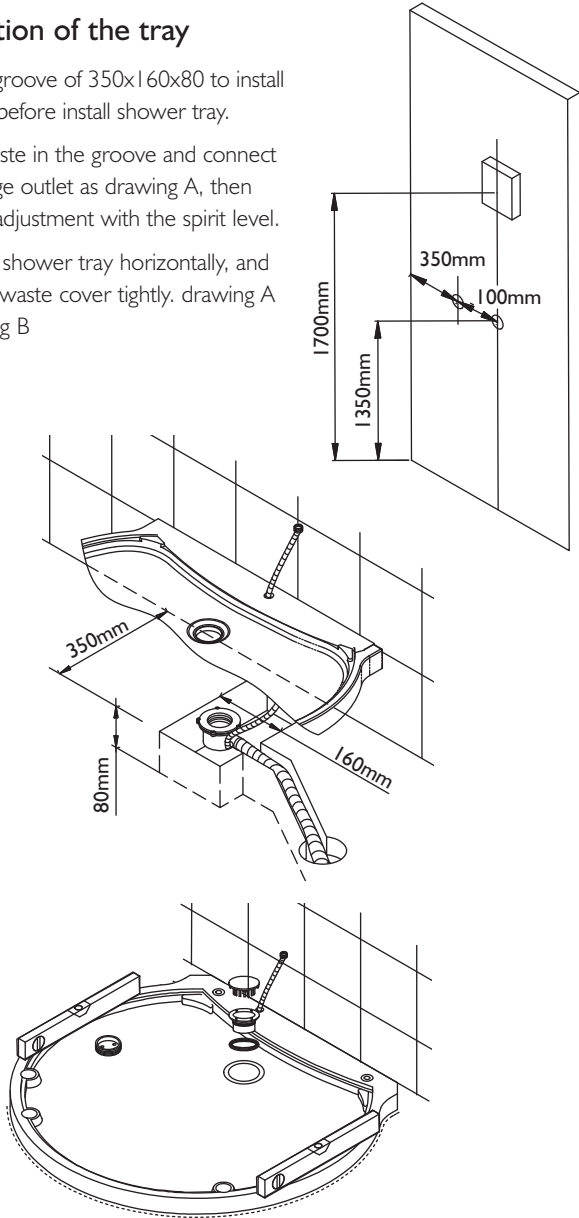
- Please read the instruction carefully before installation.
- Do not install it by yourself or it may cause water leakage, electric shock and fire because of the wrong installation. Please ask the dealer or special technician to assembly it. We would not be responsible for the problems caused from the private installation by the end user.
- Have to install safty earthed wire for power supply. The earthed wire shall not be connected to the gas pipe, water pipe, lightning rod, telephone wire etc. Electric shock would easily occur from the wrong installation of the earthed wire.
- Pregnant, aged, hypertensive, heart-attacked people under the instruction of Doctor, child must be accompanied with grown, when use the product.
- Pay attention not to damage the supply power cable. Do not hang heavy bojective on the cable or pull it or heat it so that it will make damage on the cable. Electric shock and fire risk would occur.
- Do not pull the cable to make th plug out of the power supply. Please catch the plug, not the cable when pull out the plug. Or it will break the core or heat it to cause fire risk.
- Please stop using the steam cabinet immediately and pull out the plug when it does not run normally (there is a shock). Please contact agent or after-sale service center.
- If the integral cabin need be reinstalled because the end user move his(her) house, the Special technician is strongly required to install it. Please contact the dealer or the after-sale service center.
- Before installation, please make sure at first the electric source capacitability and the supply cable whether it is available to the product's rated power. (with reference to the product's label)

- Any valve is strictly prohibited to be added to the steam outlet. Following drawing is just for reference. The base is the product itself.
- TC have the right to use the newest accessories for repair. Do not mix to use the new and old battery or the batteries with different models in the remote control. Please assort and callback the disused batteries. When the battery is weak power it will occur creepage decomposedliquid, that will damage the remote control. When such condition occur, please change to the new battery asap. If the remote control will not be used for a long time, please get the batteries out in order to avoid the creepage decomposed liquid.
- Any other electric or electronic products are strongly prohibited to use in the steam Cabin.
- The appliance should be supplied through a residual current device (RCD) having a rated residual operationg current not exceeding 30mA.
- Appliance shall only be used with rated voltage and frequency.
- If the supply cord is damaged, it must be replaced by the manufacturer, its service agent or similarly qualified persons in order to avoid a hazard and ensure it can withstand IPX4 test. The telephone connection and CD input connection must withstand IPX4 test.
- Don't use other separate steam producing or humidity electrical appliances inside the Cabinet.
- Use the appliance only in the described manner.
- Don't use or stop using when the appliance is damaged, especially the supply cord and the case.
- The earthed appliance must be permanently connected to fixed wiring. The earthed appliance must be permanently connected to fixed wiring.
- Here only for the common drawings but there may be a little difference on the product itself.

Assembly Instructions Lena Steam Cabinet

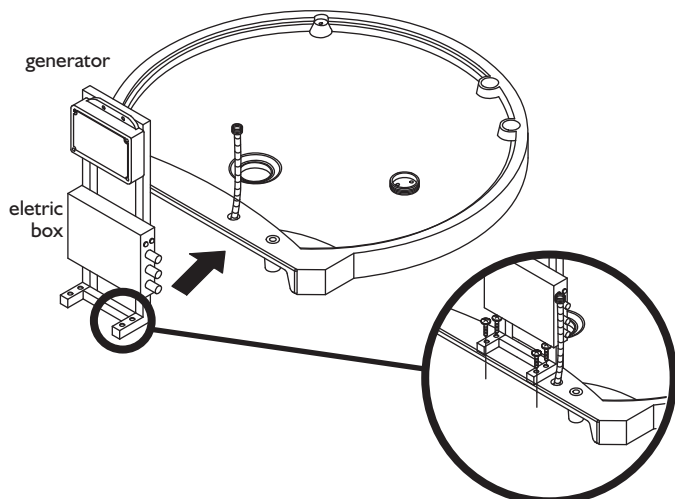
Installation of the tray

1. Make groove of 350x160x80 to install waste before install shower tray.
2. Put waste in the groove and connect drainage outlet as drawing A, then make adjustment with the spirit level.
3. Check shower tray horizontally, and fix the waste cover tightly. drawing A drawing B



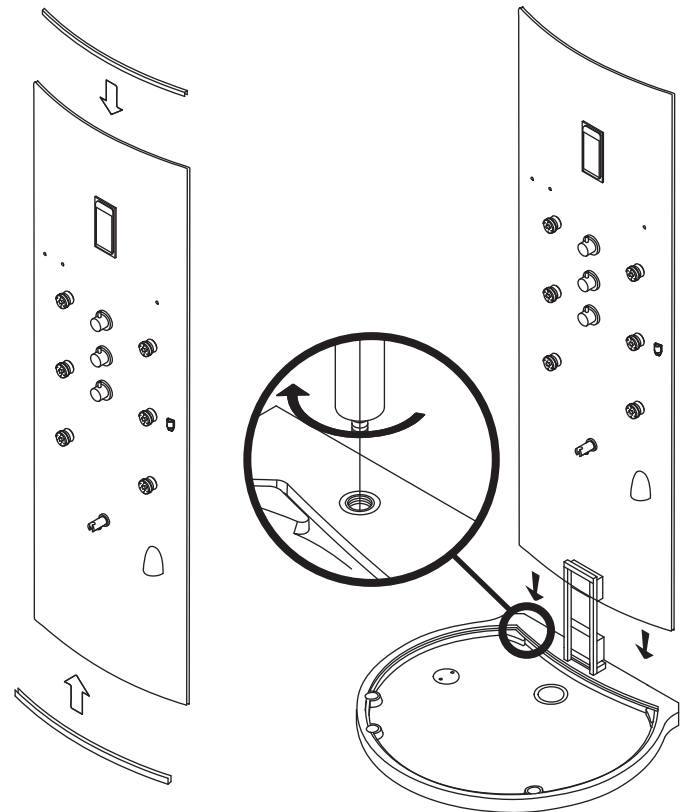
Install electric box & generator

1. Aim the corresponding hole of shower tray in order to install rack on the tray.
2. Lock tightly with screw 4.2*30 as below drawing.



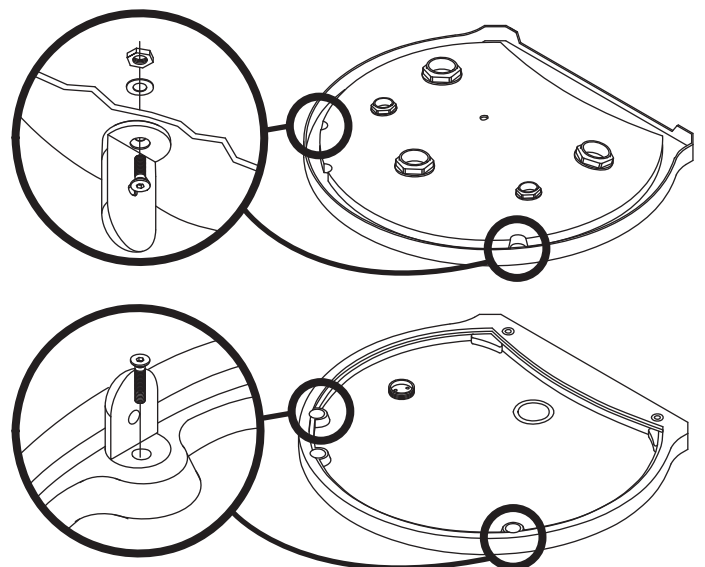
Install the back board

1. To insert the waterproof strip into the two end of the back board. Lift up the back board and fix it on the shower tray.
2. Connect the steam hose to the steam generator and steam outlet. Link the steam water outlet with the waste, then put through the water inlet of the steam generator. Connect the cold water hose and the hot water hose to the water source.
3. Refer to the drawing insert the poles into the holes of two wall side of shower tray.

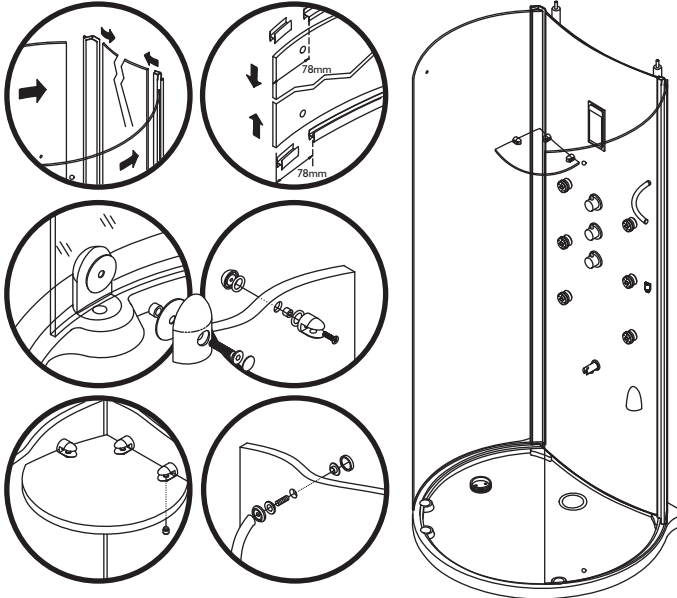


Install fixed glass door

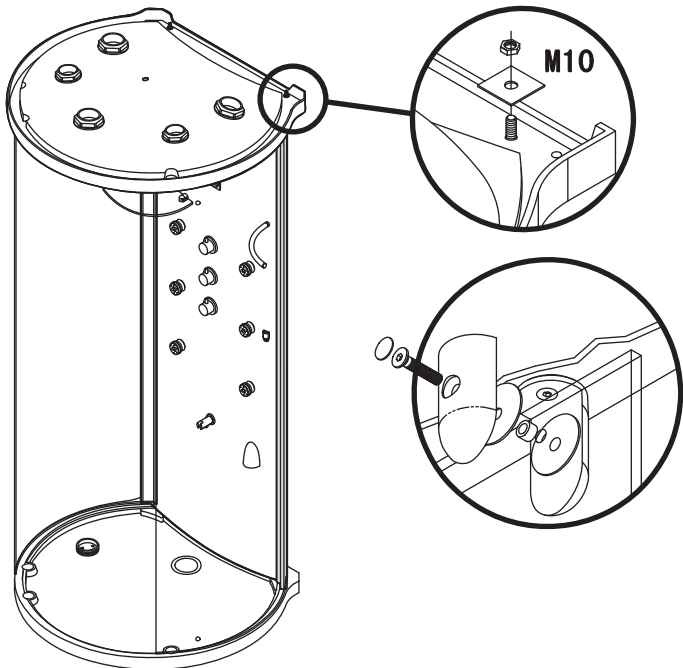
1. Lock hinge of column on the shower tray & top cover tightly and use M6 bolt & washer of M6 nut as drawing.



2. Refer to the drawing, put connecting aluminium into two side of the back board. Be noted that it must be supported before fixed. Insert the waterproof strip into the two ends of right glass panel. Then to insert into the groove of correcting aluminium. Install the left glass panel as well. Lock with screw and cover screw cap.
3. Refer to the drawing, fix the shelf on the left glass panel and back board, then lock the towel bar on the back board and right glass panel.

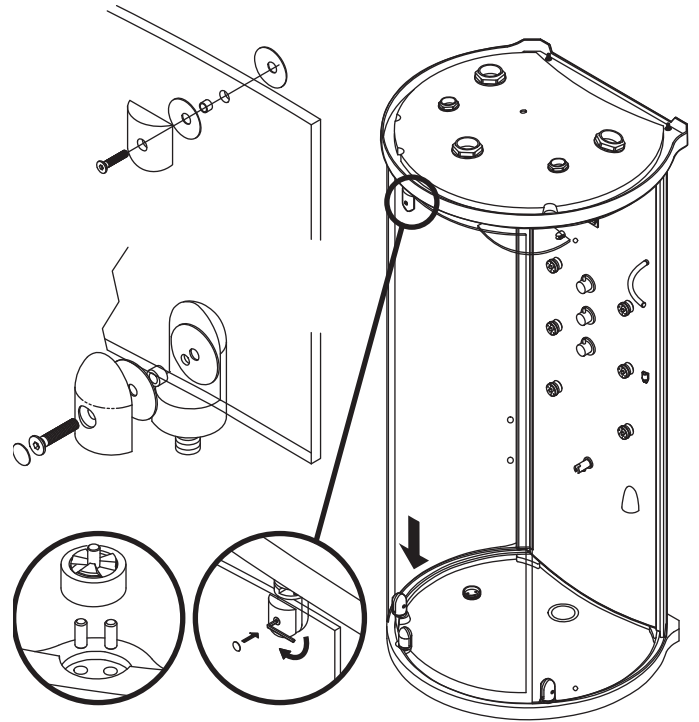


4. Put the top cover on the top of the cabin carefully, make the top cover's hole accord to the upper part's hole of the backboard. Then fix tightly the top cover and the back board with screw.
5. Lock upper door hinge of 2 fixed glass door tightly.



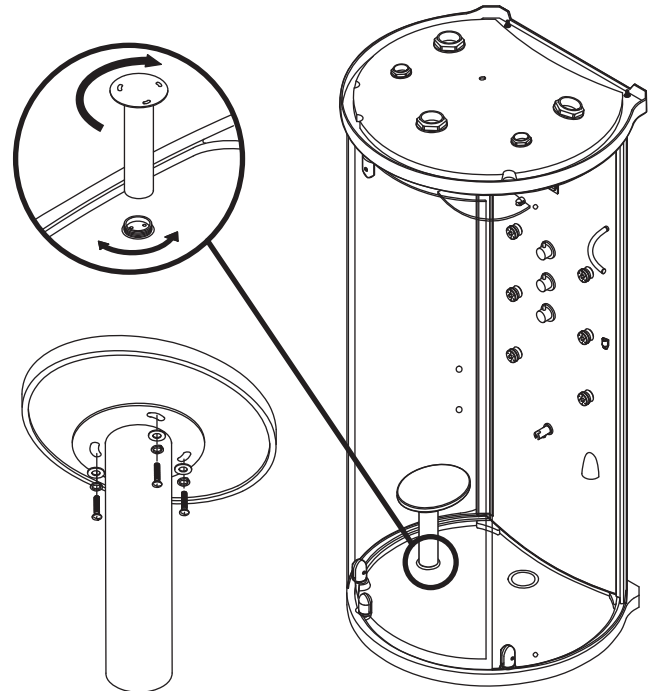
Install the moveable glass door

1. Install and fix door hinge(down) on the tray
2. Install up & down door hinge on the moveable glass door
3. Lift door and insert on the tray



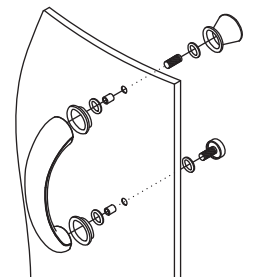
Install stool

Refer to the drawing, to connect the stool bottom & the stool cover on the tray, then lock it tightly with screw. In case the stool can not be adjusted to a right position, please try to remove the stand then turn 180 degree, then reinstall.



Install handle

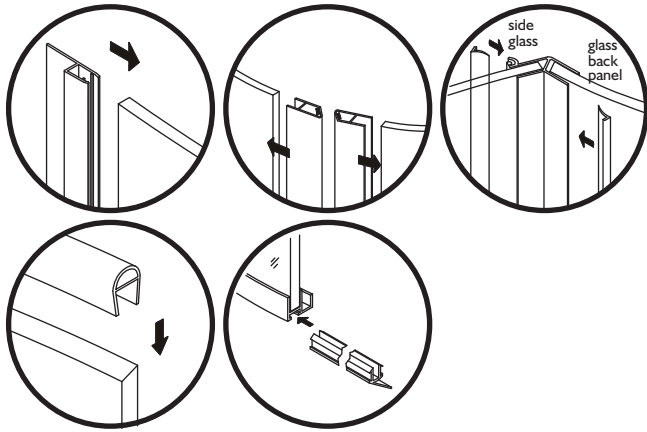
Install handle on moveable glass door, then check if operate smoothly, otherwise adjust door



Assembly Instructions Lena Steam Cabinet

Install the rubber strip

1. Install side waterproof rubber strip separately on the sides of the moveable glass doors.
2. Insert the magnetic strip on the sides of the moveable glass door & fixed glass door separately.



Checking

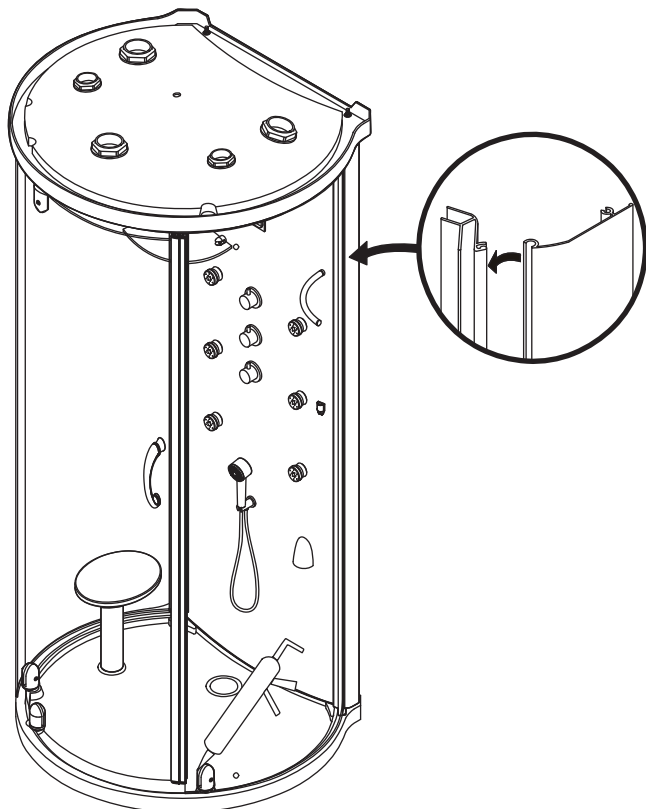
After installation, check the door move well, then glass glue can be covered on the gap to prevent water leak

Water flow equipment installation

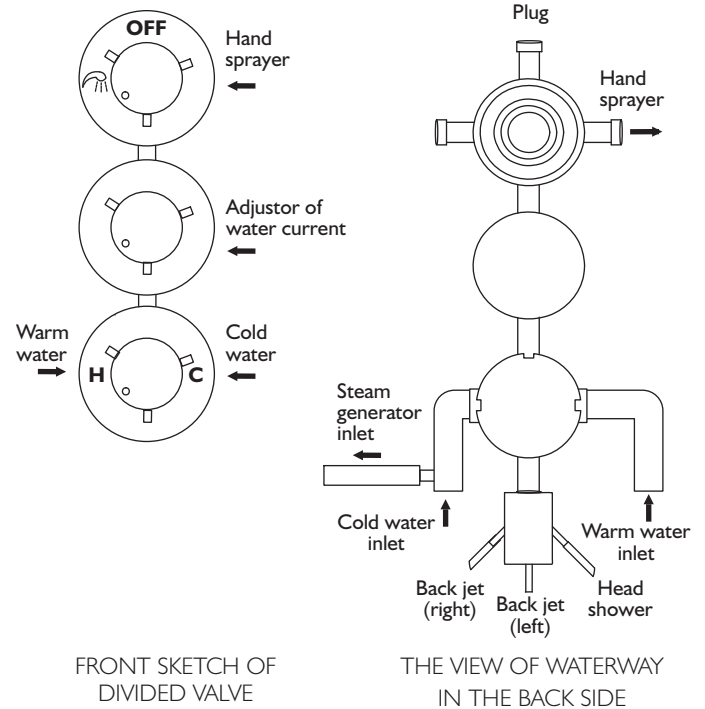
1. Connect head shower & head shower hose.
2. Connect the cold & warm water hoses with water source.
3. Checking all function after installation.

Install side column D

Put side column D insert to the slot of connecting



The instruction of waterway operation

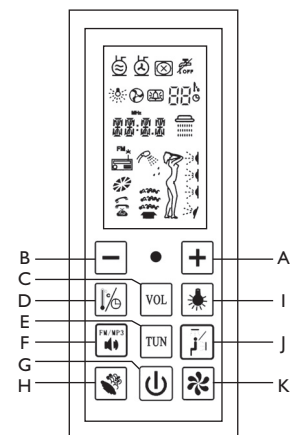


Electric Part

Distribute electricity requirement:

Rating Voltage	Controlled Voltage	Rating frequency	Rating power
220V AC	12V	50HZ	3KW

Operation illuminate



- A) Increase volume, temperature, change channel, timing
- B) Decrease volume, temperature, change channel, timing
- C) Press to enter Volume, then press "+" or "-" adjust volume
- E) Press to enter Channel, then press "+" or "-" to change channel
- F) Radio/MP3 on/off switch
- F) Light on/off switch
- G) Main power on/off switch
- H) Steam on/off switch
- D) Press to enter Temperature/Time, then press "+" or "-" to adjust
- J) Main/Side jets on/off switch
- K) Fan on/off switch

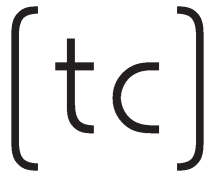
Malfunctions and solutions

Problems Default reasons Solutions

Problems	Default reasons	Solutions
No electricity	Creepage switched off	Creepage switched on
	Electrical wire disconnected	Check if it is connected with power
No steam	Not start steamer	Turn on the steamer button
	Temperature wrongly set	Check whether the set temperature is over the room temperature
	No water source or water switch off	Check water source or turn on the water switch
	The filter of electromagnetic switch jammed, or electromagnetic switch disconnected or damaged	Clean the filter of the electromagnet and reconnect it or replace it
	The pin floater disconnected or broken	Reset or reconnect the wire
No steam out from the steamer outlet but water	The pin floater's wire is disconnected.	Recheck and repair the wire
	Too much dirt on the pin floater	Clean the dirt
	The grounding wire of control panel and steam generator disconnected	Connect the grounding wire
	Magnetic valve be blocked	Clean or replace valve
No water from the jets	Jets jammed	Clean the jets
	Electromagnet switch disconnected or damaged	Reconnect the wire or Replace the
	No water source.	
No voice from radio	The wire of speaker is loose or speaker broken	Connect the wire of speaker or Replace the speaker
	Control wire or speaker disconnected	Connect the control wire
	Adjust to lower volume	Largen volume
Voice not clear	Antenna disconnected or wrong direction	Connect the antenna and adjust the direction
	Weak signal	Put antenna outside
No light	Light wire disconnected or bulb damaged	Connect the wire or replace the bulb
Fan not working	Wire disconnected	Connect the wire
	Fan damaged	Replace the fan
Creepage on usage	Grounding wire disconnected	Connect the grounding wire according the standard

Cleaning & Maintenance

- Clean the sundries once the drain be jamed.
- Normally, clean the shower enclosure by mop with mild detergent or soap.
- Don't clean the shower enclosure with irritant detergent, alcohol, gasoline or other chemical cleaner.
- Should there have any dirty stains on the shower enclosure, you may clean it with vinegar of low density, but you must clean it with water afterwards.



traditional contemporary
bathrooms

www.tc-bathrooms.com

Traditional Contemporary Bathrooms, Unit 2, Jubilee Way, Grange Moor,
Wakefield WF4 4TD. Tel: 01924 845 000 Fax: 01924 845 001

Helpline 01924 845000