



Installation instructions KALAHARI STEAM CABINET



Traditional and Contemporary
Bathrooms

Product and Installation

Please read these instructions fully before installation

(TC) Products should be installed by a competent qualified Bathroom Installer/Plumber and a Part P registered electrician only. Failure to do so may result in damage to the product, and may result in the invalidation of any warranty or guarantee.

(TC) Products should always be fully inspected and examined at the earliest possible opportunity after purchase. Damage/defects should be reported prior to installation. Failure to do so will be seen as acceptance of quality.

This unit is designed to be free-standing and should not be built-in. This allows for quick access to services and easier fitting. Reasonable access must be available for servicing purposes.

It is recommended that the unit is built up a few feet away from its intended location, so as to be able to access the rear of the unit during its construction.

Prior to fitting it is recommended that both the walls and floor behind and below the unit are tiled.

Laminate, vinyl & carpet floorings are not recommended.

Due to the size and weight of this product, (TC) recommend at least two persons install the unit.

(TC) Recommend all pre-fitted connections/ fittings are checked & tested during and after installation to ensure a water tight connection.

PARTS Installation instructions

- 01 | Tips
- 01 | Packing List
- 02 | Product Structure
- 03 | Product Diagram
- 05 | Installation Steps
- 12 | Requirement of water supply system
- 12 | Requirement of electricity supply system
- 13 | Water and electricity position diagram for installation

Tips

The steam cabinet should be installed by qualified personnel in accordance with the instruction.

The power parameters should meet the national standard.

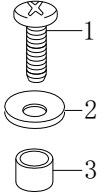
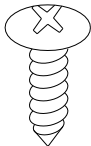
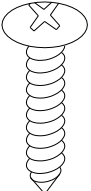
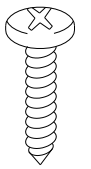
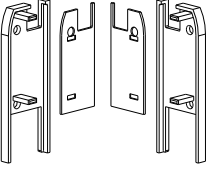
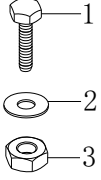
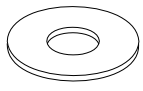
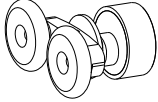
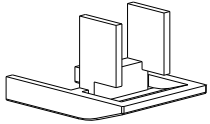
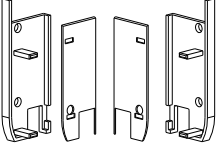
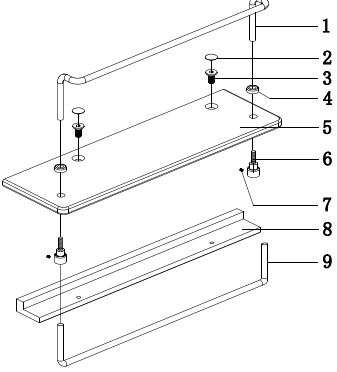
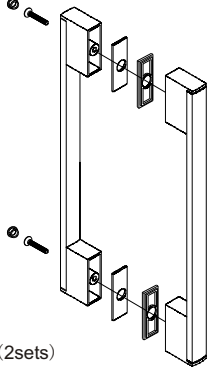
Water source and power source should be controlled by independent switches.

Cut off the power and the water supply valve of the bathroom after taking shower every time.

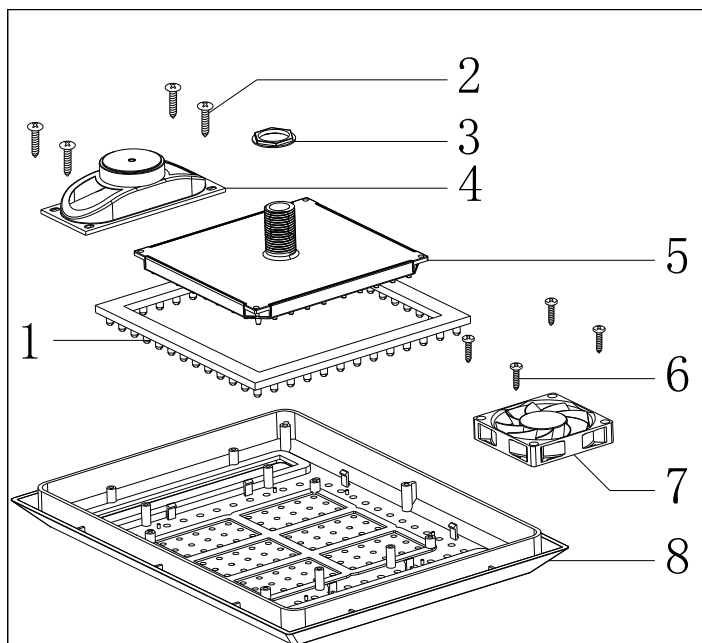
Packing List

Read the product manual carefully after opening the package. Then check if the product accessories and parts are complete and intact according to the packing list.

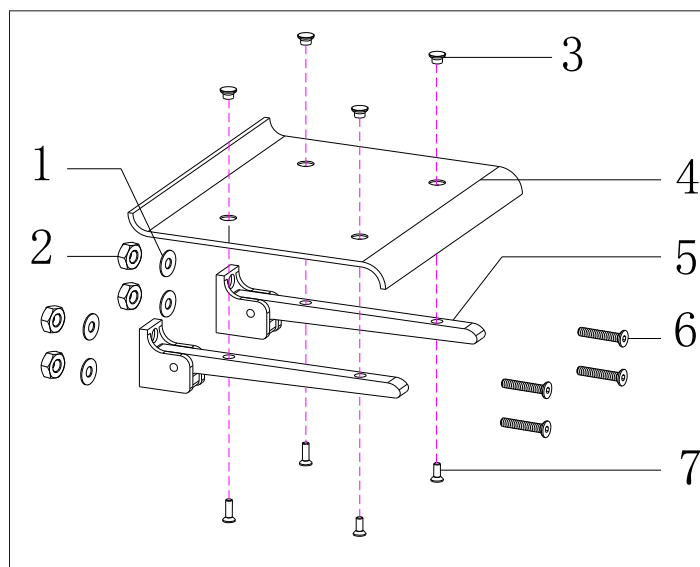
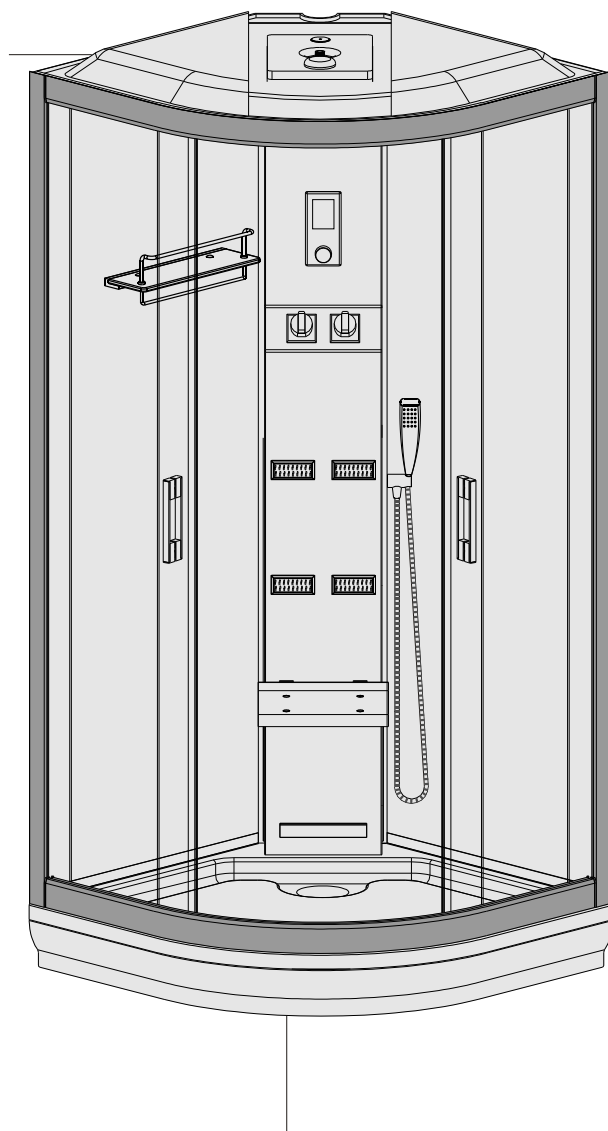
Accessories:

 <p>1. Round-headed screws M6*12 (2sets) Code: 1. 15. 01. 000082</p> <p>2. Cushion rubber of towel rack (2sets) Code: 1. 25. 03. 000005</p> <p>3. Gasket M6*8 (2sets) Code: 1. 15. 06. 000016</p>	 <p>Flat-headed self-tapping screw (ST4X10) (15sets) Code: 1. 15. 01000020</p>	 <p>Flat-headed self-tapping screw (ST4X20) (2sets) Code: 1. 15. 01. 000017</p>	 <p>Round-headed self-tapping screw (ST3. 7X25) (8sets) Code: 1. 15. 01. 000022</p>	 <p>Left and right cover of lower guide rail left and right cover (one of each) Code: 1. 24. 03. 000047 . 24. 03. 000048</p>																								
 <p>1. Hex head screw M5X20 (2sets) Code: 1. 15. 01. 000080</p> <p>2. Gasket 5X15 (2sets) Code: 1. 15. 06. 000015</p> <p>3. Nut M5 (2sets)</p>	 <p>Padding 5X15 (7sets) Code: 1. 15. 06. 000015</p>	 <p>Double pulley YH1215D-6 (8sets) Code: 1. 17. 02. 000037</p>	 <p>Aluminum capping (4sets) Code: 1. 24. 03. 000051</p>	 <p>Left and right cover of upper guide rail (one of each) Code: 1. 24. 03. 000049 . 24. 03. 000050</p>																								
 <table border="1" data-bbox="546 1765 931 2031"> <tbody> <tr> <td>1. AE030 rack shelf guardrail</td> <td>1</td> <td>1. 20. 04. 000059</td> </tr> <tr> <td>2. socket head screw cover</td> <td>2</td> <td>1. 24. 03. 000052</td> </tr> <tr> <td>3. socket head screw M6X10</td> <td>2</td> <td>1. 15. 01. 000065</td> </tr> <tr> <td>4. guardrail gasket</td> <td>2</td> <td>1. 99. 02. 000046</td> </tr> <tr> <td>5. rack shelf glass of AE030</td> <td>1</td> <td>1. 12. 01. 000066</td> </tr> <tr> <td>6. rack shelf nuts</td> <td>2</td> <td>1. 99. 02. 000047</td> </tr> <tr> <td>7. socket head screw M4X4</td> <td>2</td> <td>1. 15. 01. 000183</td> </tr> <tr> <td>8. rack shelf B3514</td> <td>1</td> <td>2. B. 4. B3514X8001</td> </tr> <tr> <td>9. towel rail</td> <td>1</td> <td>1. 20. 02. 000008</td> </tr> </tbody> </table>	1. AE030 rack shelf guardrail	1	1. 20. 04. 000059	2. socket head screw cover	2	1. 24. 03. 000052	3. socket head screw M6X10	2	1. 15. 01. 000065	4. guardrail gasket	2	1. 99. 02. 000046	5. rack shelf glass of AE030	1	1. 12. 01. 000066	6. rack shelf nuts	2	1. 99. 02. 000047	7. socket head screw M4X4	2	1. 15. 01. 000183	8. rack shelf B3514	1	2. B. 4. B3514X8001	9. towel rail	1	1. 20. 02. 000008	 <p>AE023 handle (2sets) Code: 2. B. 8JGL0420003</p>
1. AE030 rack shelf guardrail	1	1. 20. 04. 000059																										
2. socket head screw cover	2	1. 24. 03. 000052																										
3. socket head screw M6X10	2	1. 15. 01. 000065																										
4. guardrail gasket	2	1. 99. 02. 000046																										
5. rack shelf glass of AE030	1	1. 12. 01. 000066																										
6. rack shelf nuts	2	1. 99. 02. 000047																										
7. socket head screw M4X4	2	1. 15. 01. 000183																										
8. rack shelf B3514	1	2. B. 4. B3514X8001																										
9. towel rail	1	1. 20. 02. 000008																										

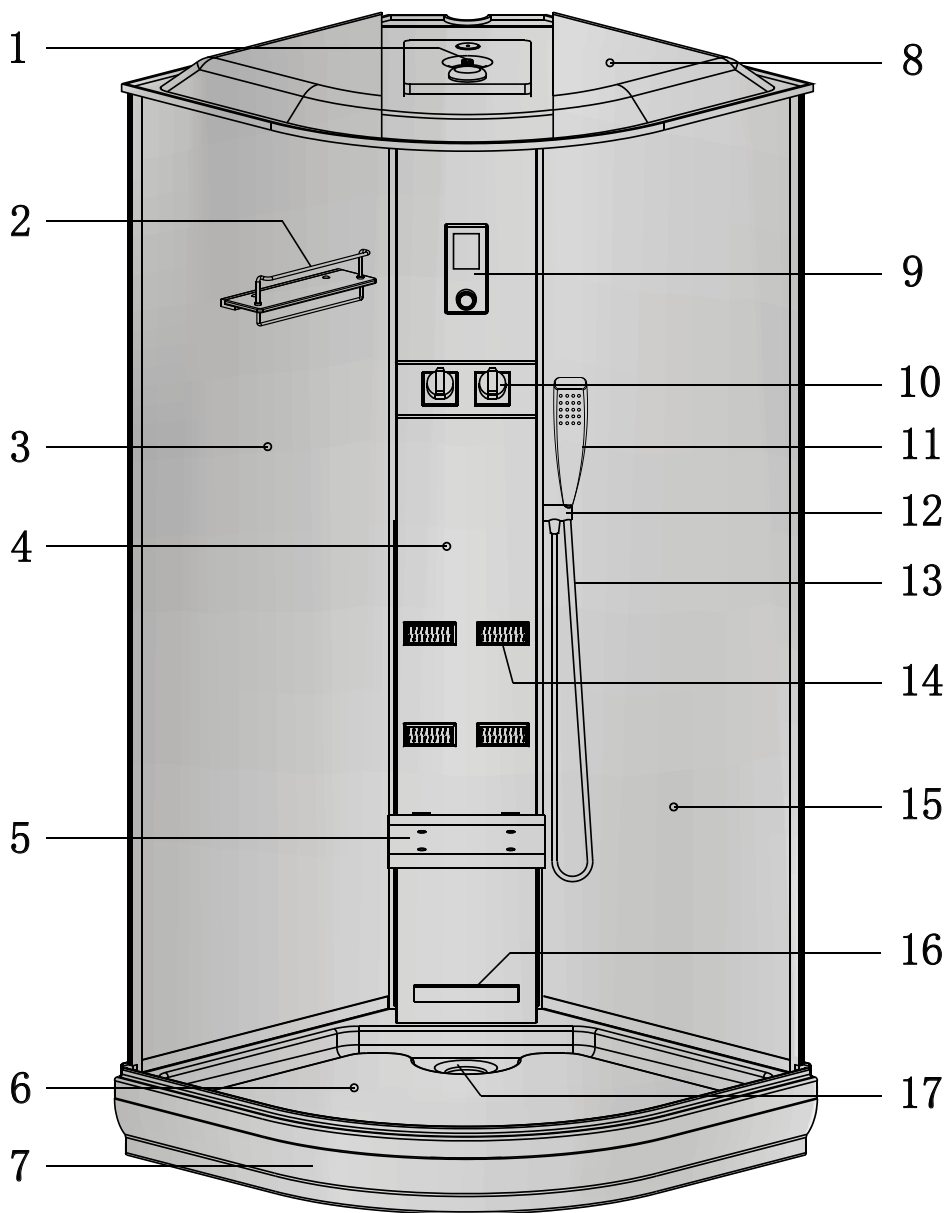
Product Structure



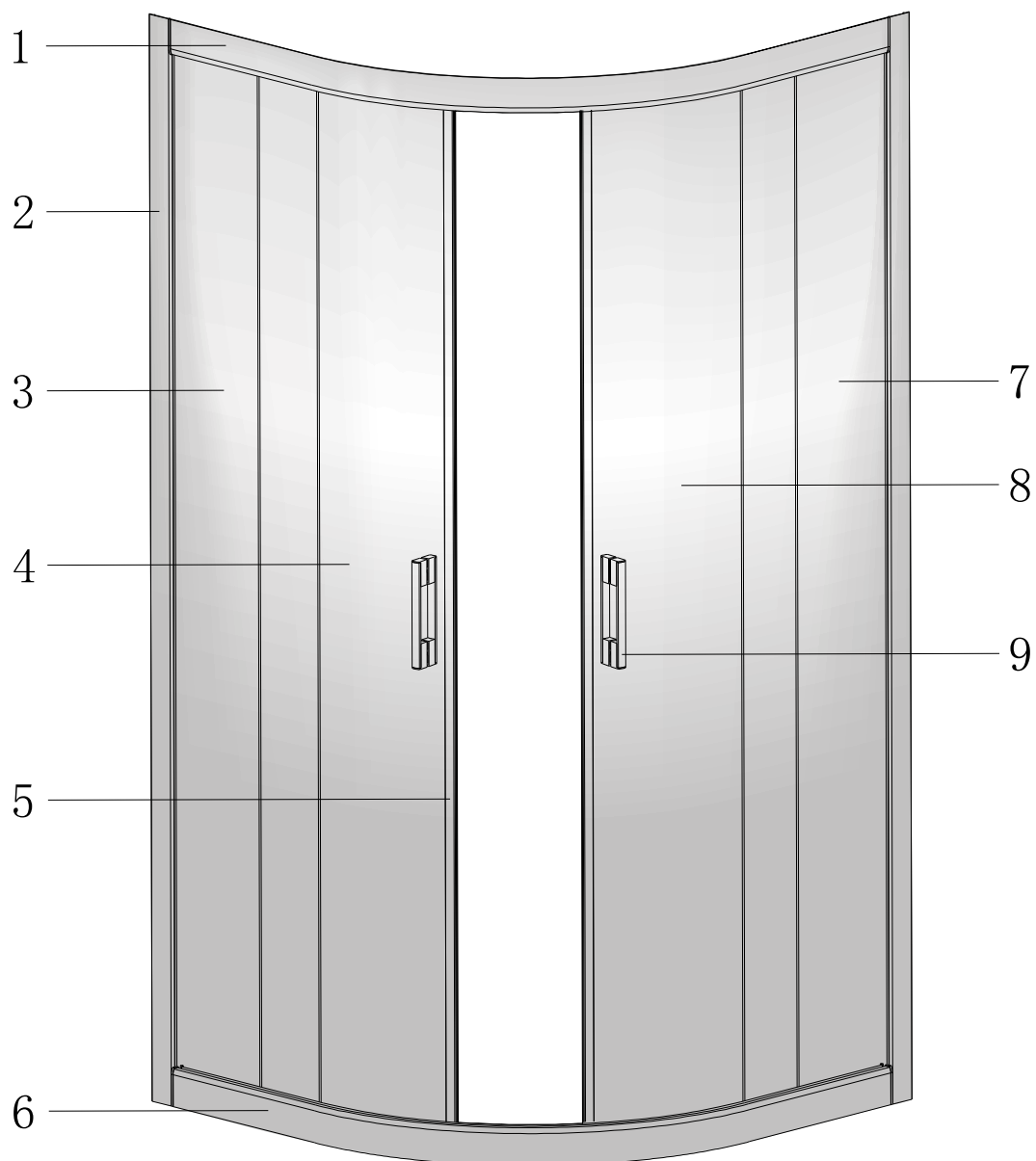
No	Item	QTY	Code
1	Top lamp	1pc	1. 07. 05. 000036
2	Flat-headed self-tapping screws STX20	4pc	1. 15. 01. 000017
3	Plastic hex head screw	1pc	1. 15. 03. 000022
4	Loudspeaker	1pc	1. 07. 18. 000003
5	Top shower	1pc	1. 04. 01. 000041
6	Round-headed self-tapping srew	4pc	1. 15. 01. 000016
7	Fan	1pc	1. 07. 12. 000003
8	Top lampshade	1pc	1. 99. 01. 000095



NO	Item	QTY	Material code
1	Gasket6X18	1 pc	1. 15. 06. 000016
2	NutM6	2 pcs	1. 15. 03. 000007
3	Bronze nut	4 pcs	1. 99. 02. 000044
4	Bench	1 pc	1. 11. 02. 000013
5	CarriageAE030	2 pcs	1. 99. 02. 000045
6	Socket head screw 6X30	4 pcs	1. 15. 01. 000142
7	Socket head screw 6X16	4 pcs	1. 15. 01. 000173



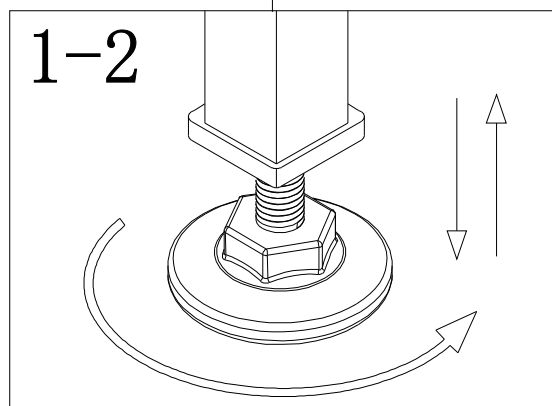
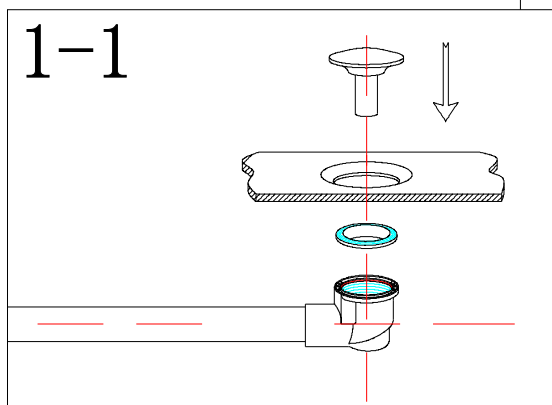
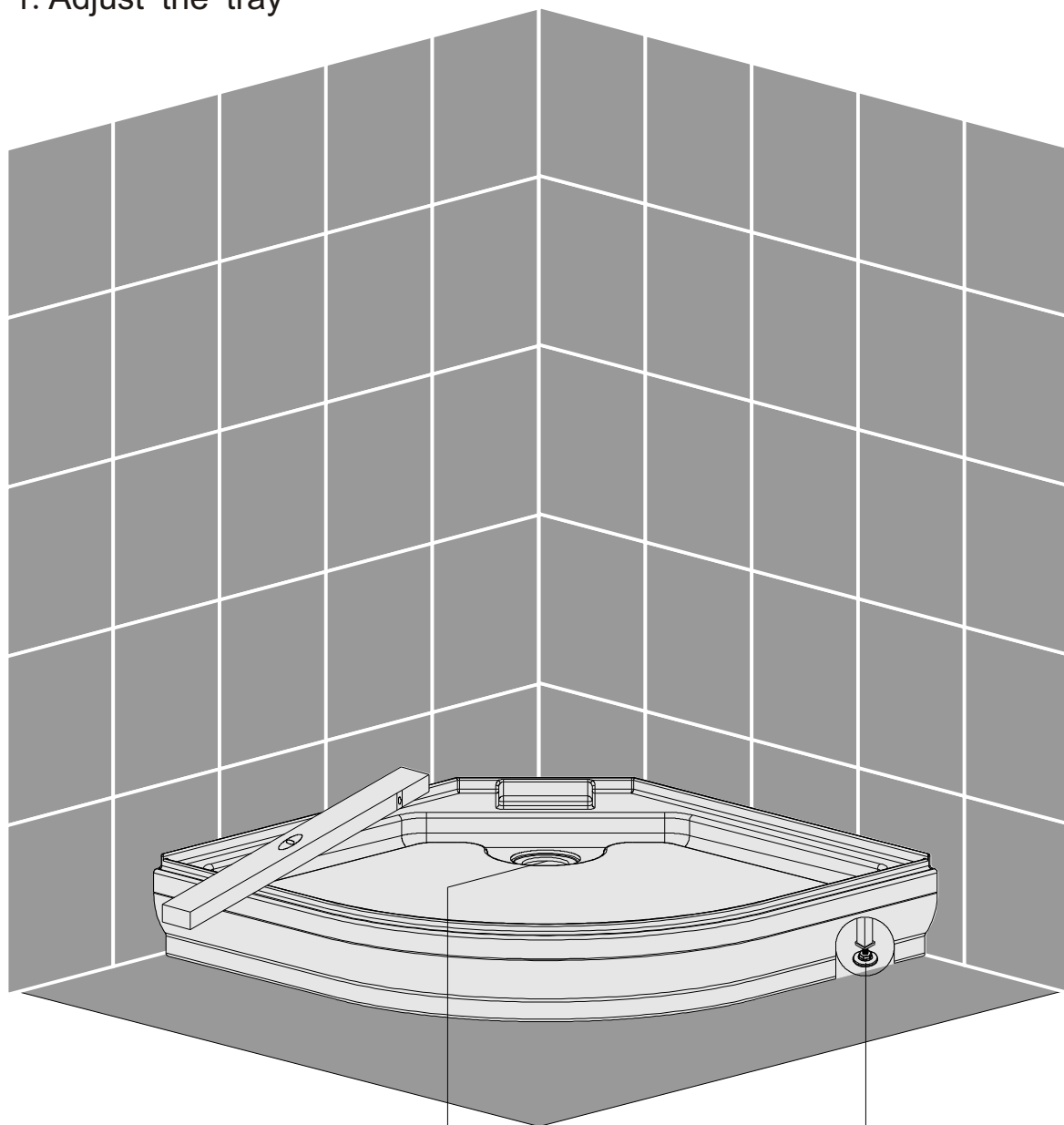
NO	Item	QTY	Material Code	NO	Item	QTY	Material Code
1	Assemble parts of top shower	1 set	See the disassemble diagram	10	Faucet	1 pc	1. 07. 17. 100066
2	Rack shelf accessories	1 set	See the disassemble diagram	11	Hand-held shower	1 pc	1. 04. 01. 000042
3	Left side glass	1 pc	1. 02. 15. 000001	12	Shower set	1 pc	1. 04. 02. 000015
4	Shower panel	1 pc	2. B. 4. JG024X8001	13	Shower chain	1 pc	1. 14. 03. 000002
5	Collapsible bench	1 pc	See the disassemble diagram	14	Message nozzle	4 pcs	1. 08. 04. 000003
6	Tray	1 pc	1. 03. 01. 000157	15	Right fixed glass	1 pc	1. 02. 15. 000002
7	Removable skirt	1 pc	1. 03. 01. 000023	16	Steam outlet	1 pc	1. 24. 02. 000020
8	Top cover	1 pc	1. 03. 01. 000034	17	Drainage	1 pc	1. 06. 01. 000020
9	Control panel	1 set	1. 07. 17. 100066	18			



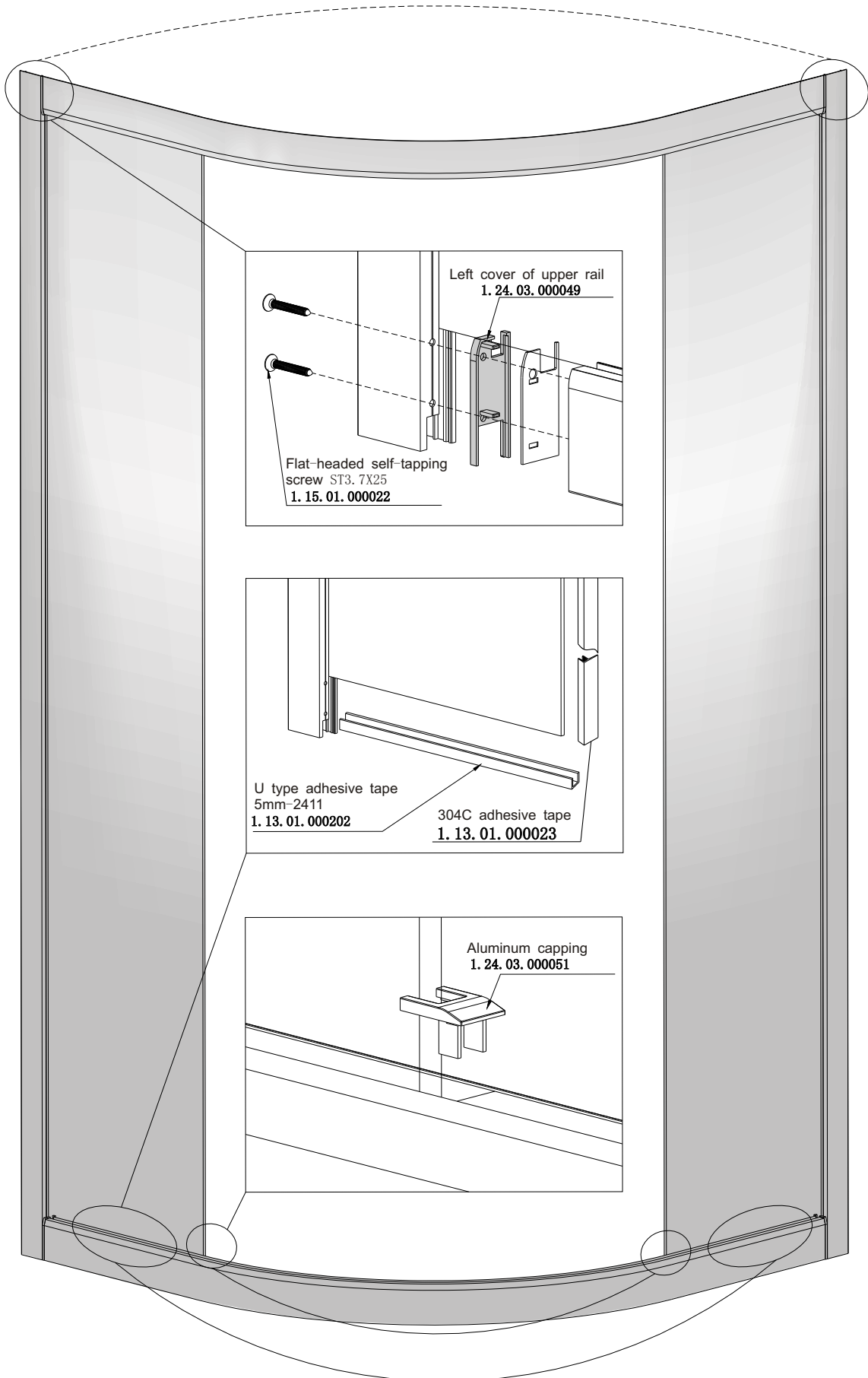
NO	Item	QTY	Material Code
1	Upper guide rail	1 pc	2. B. 4. CAL0448001
2	Upright column aluminum material	2 pcs	2. B. 4. CAL0618001
3	Left fixed glass	1 pc	1. 02. 01. 100384
4	Left movable door	1 pc	1. 02. 01. 100384
5	Left fixed door material	1 pc	2. B. 4. CAL0618001
6	Lower guide rail	1 pc	2. B. 4. CAL0628001
7	Left fixed glass	1 pc	1. 02. 01. 100383
8	Left glass	1 pc	1. 02. 01. 100383
9	E type handle	1 pc	2. B. 8. JGL0420003
10	Left fixed door material	1 pc	2. B. 4. CAL0618002

Diagrams of Installation Steps:

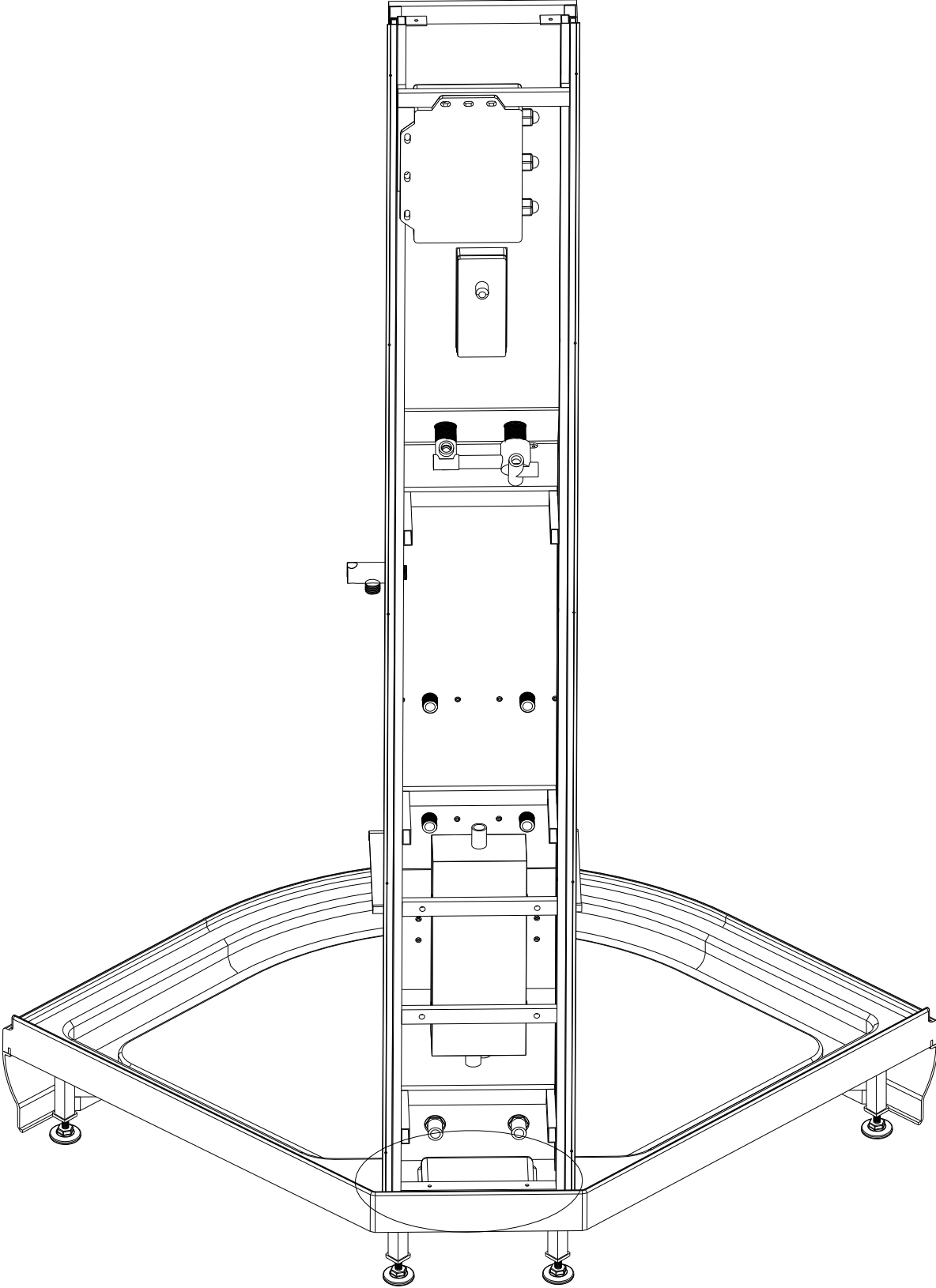
1. Adjust the tray



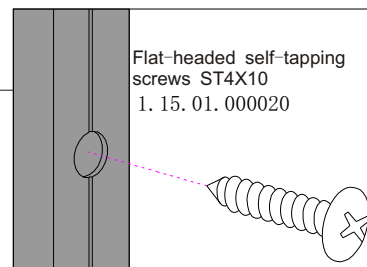
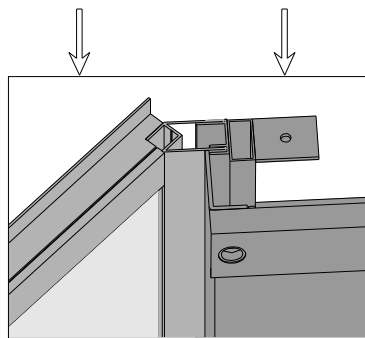
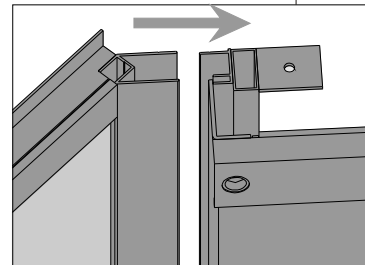
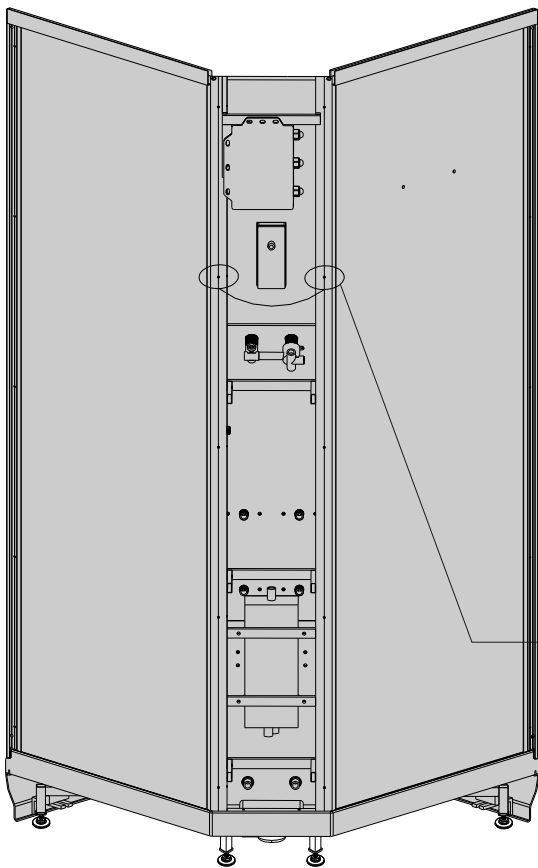
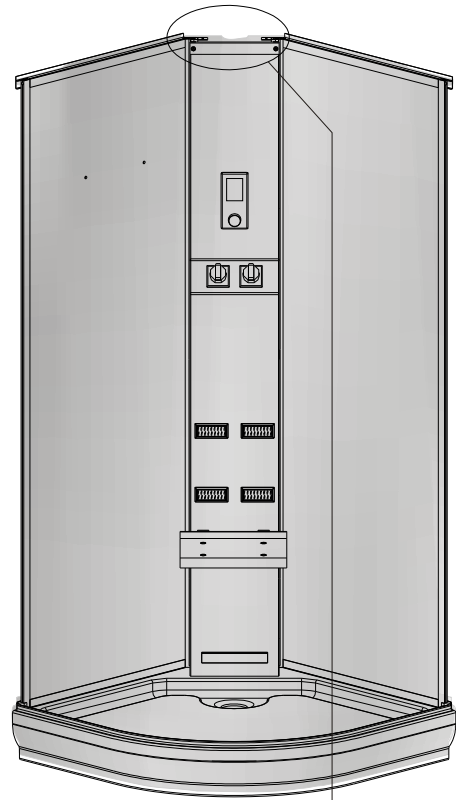
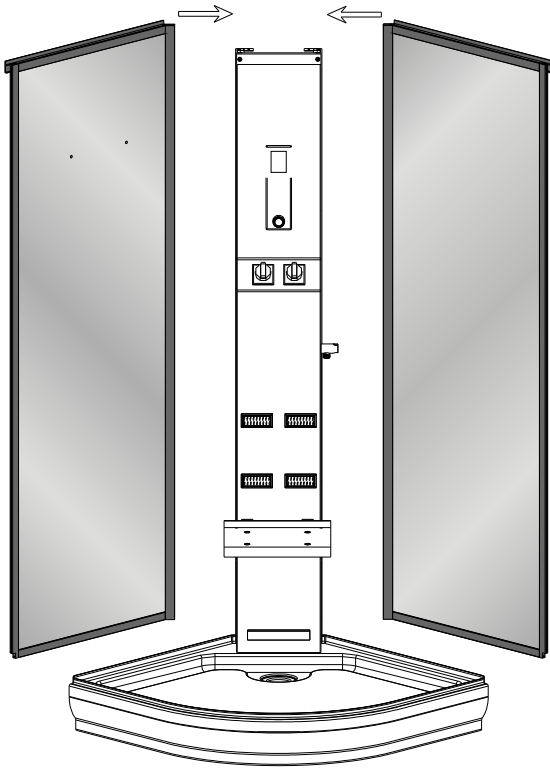
2. Assemble doorframes



3. Shower panel installation

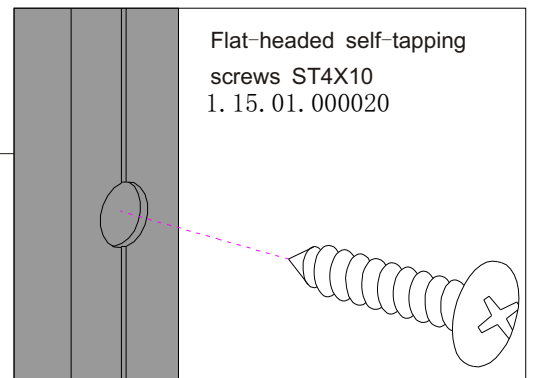
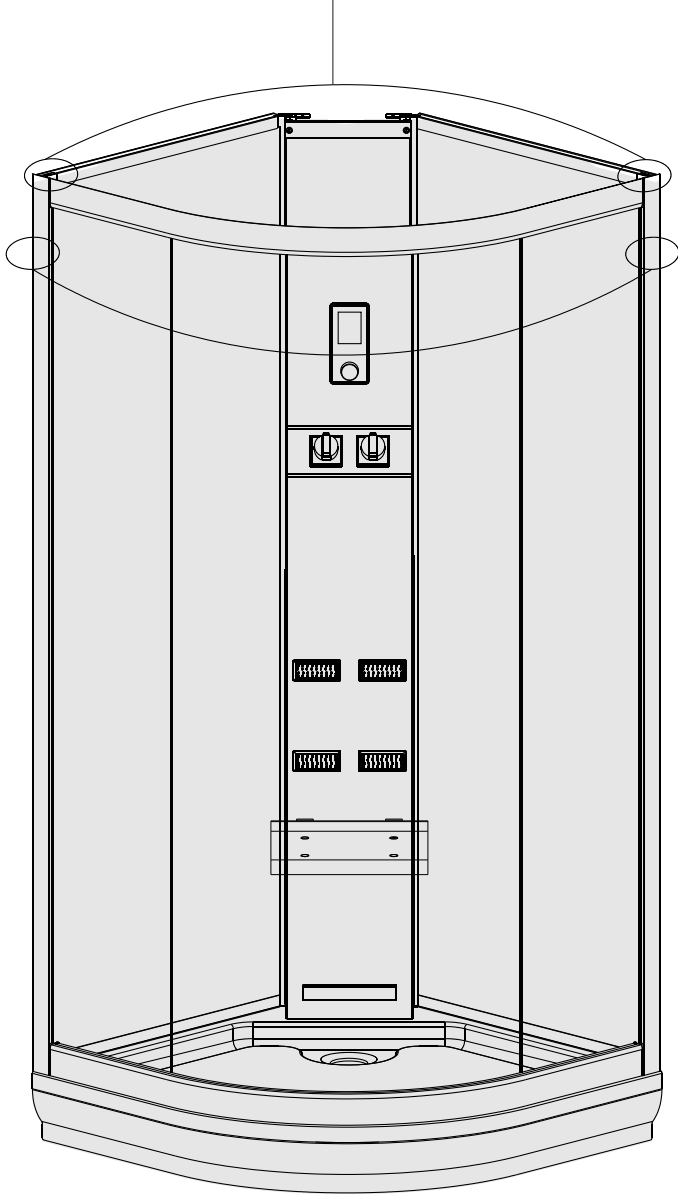
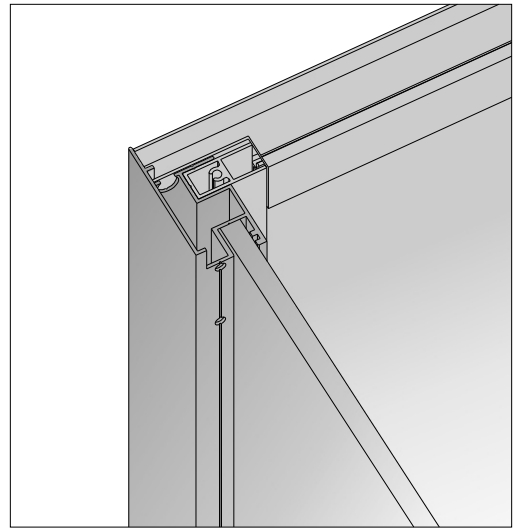
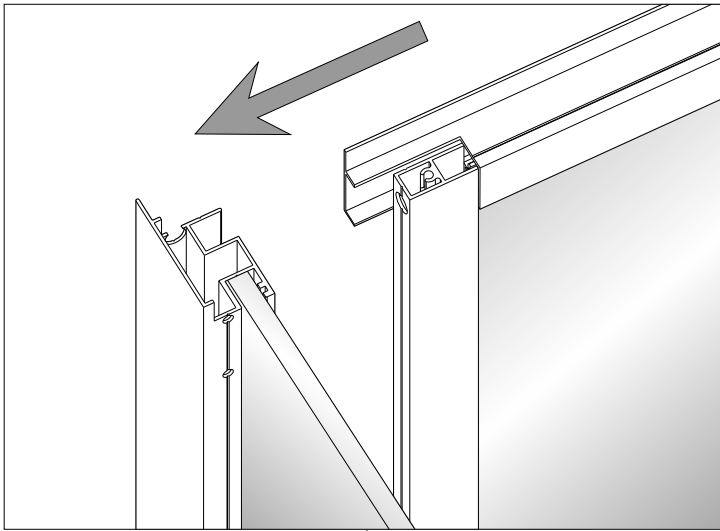


4. Sideboard installation

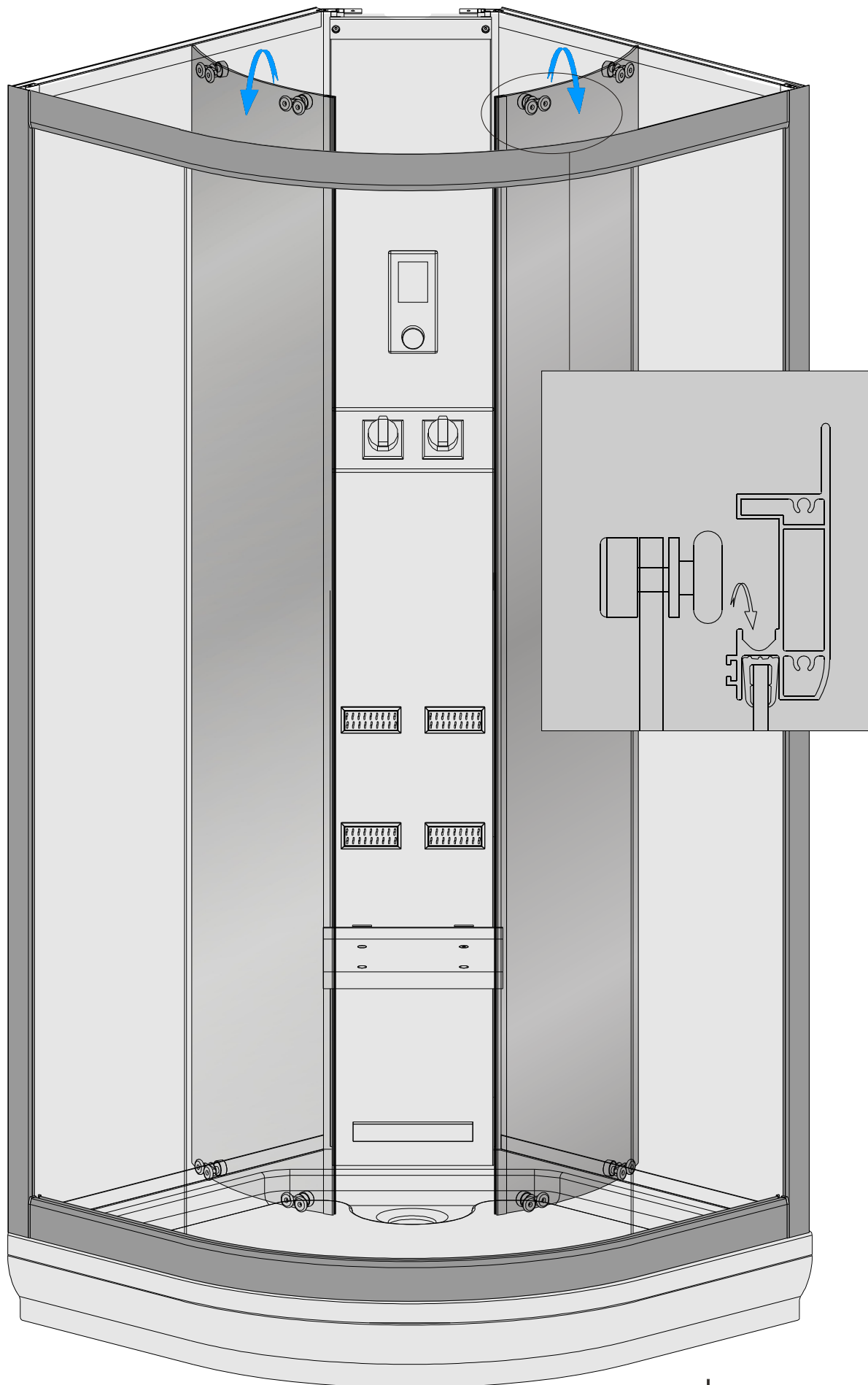


Flat-headed self-tapping
screws ST4X10
1. 15. 01. 000020

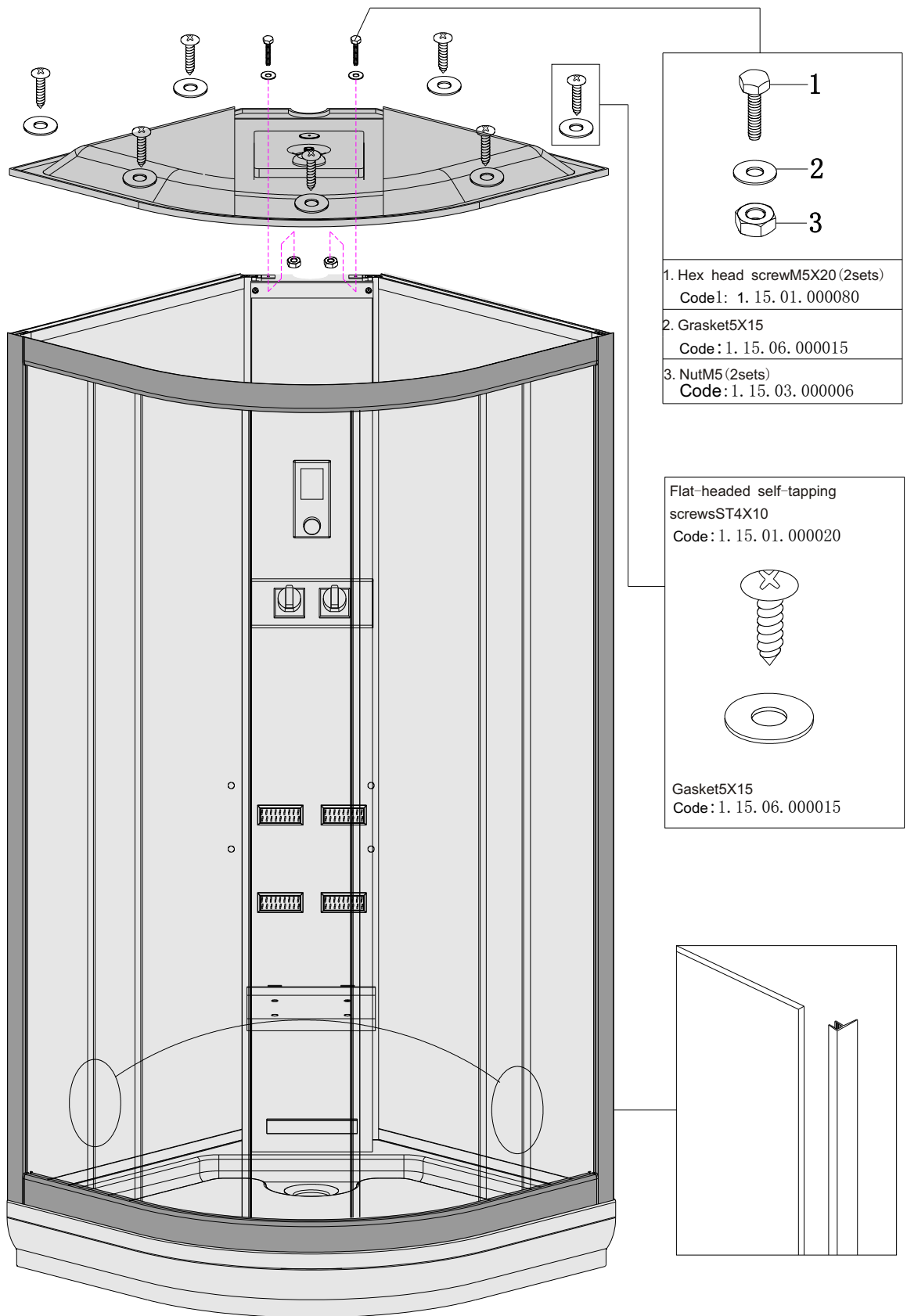
5. Doorframe installation



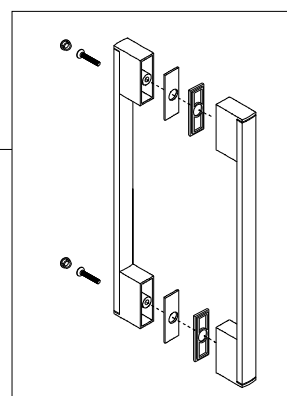
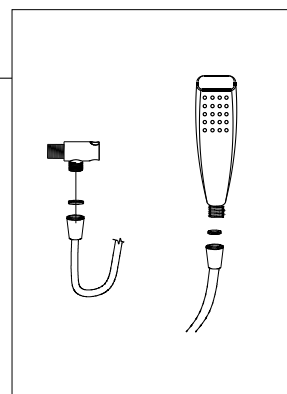
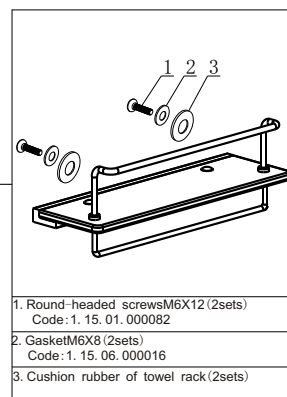
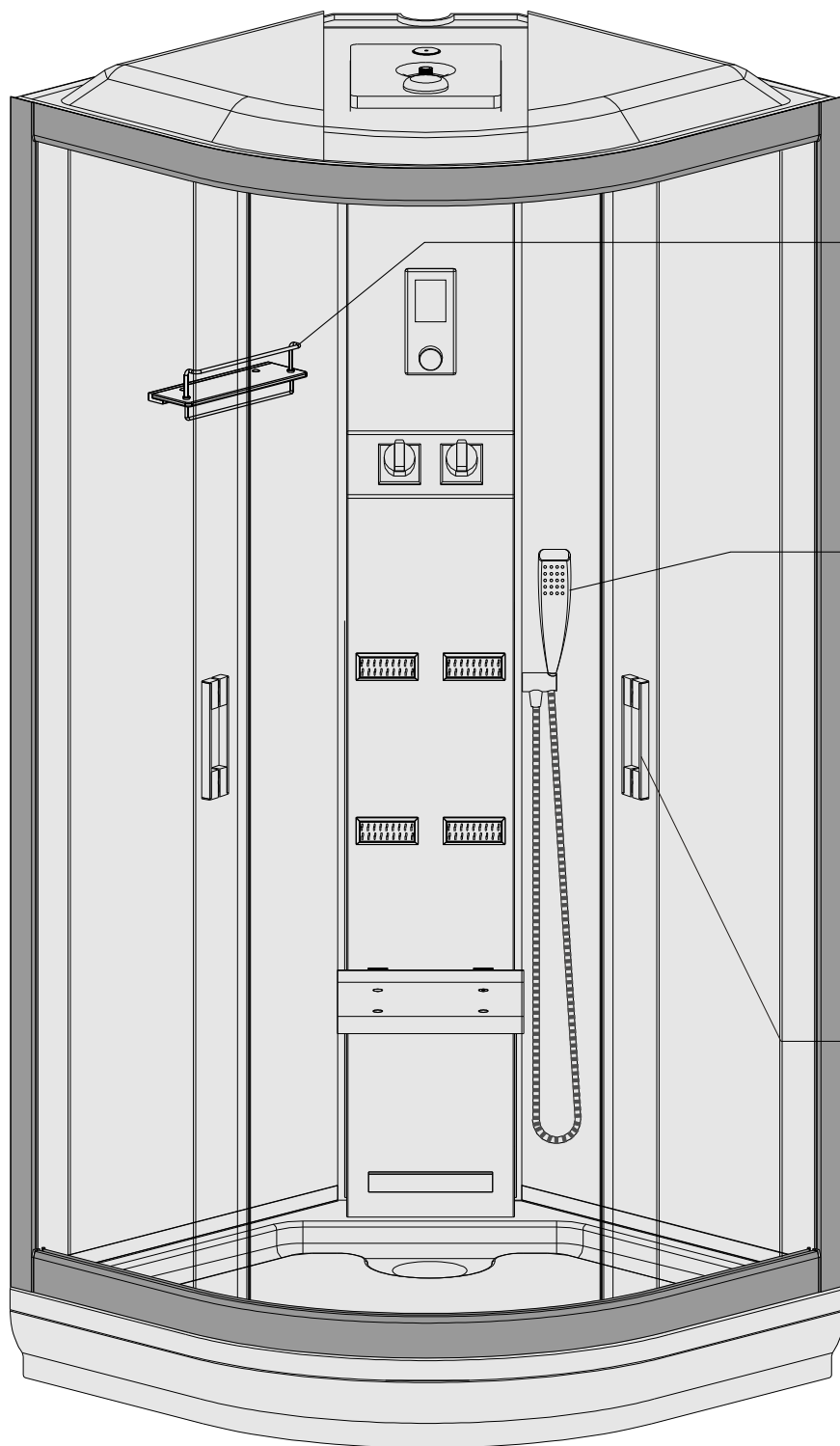
6. Movable glass door installation



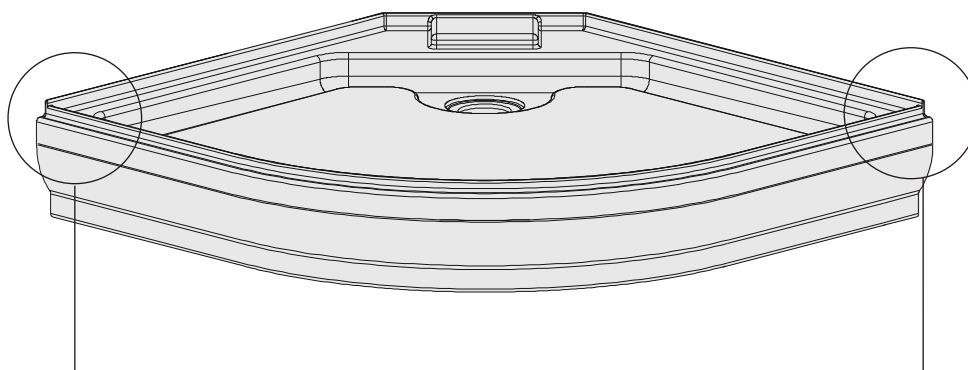
7. Fixed top cover assembling parts



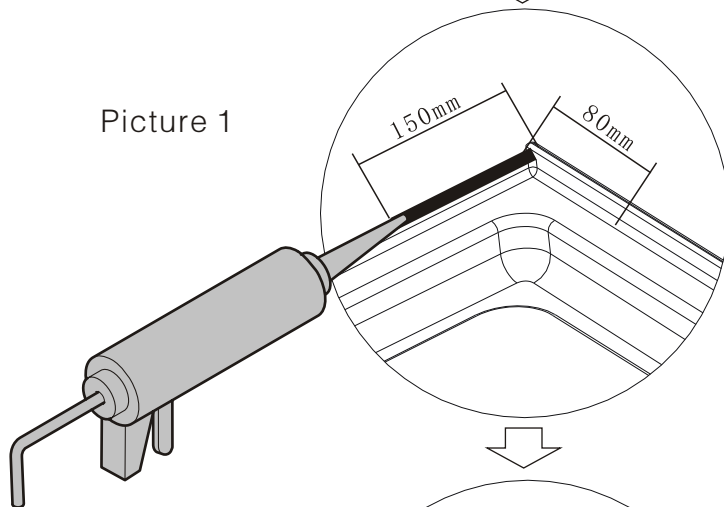
8. Rack, hand-held shower, handle installation



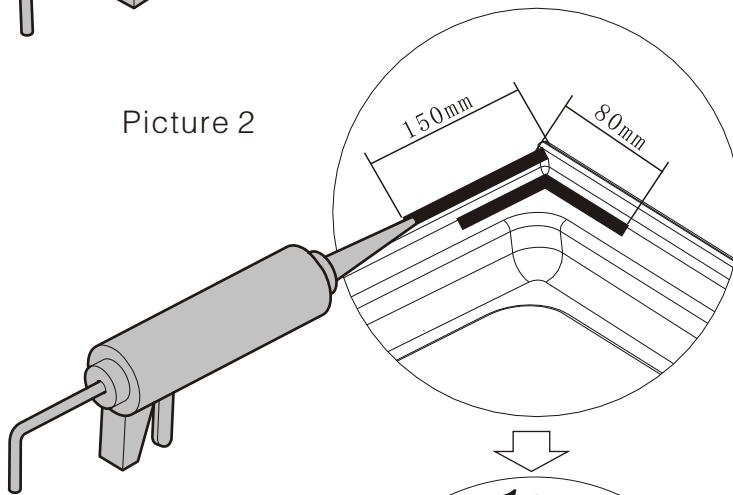
Pls ensure all corner as below picture (picture 1,2,3) show are sealed with sanitary grade silicone sealant.(the silicon for both left and right is the same)



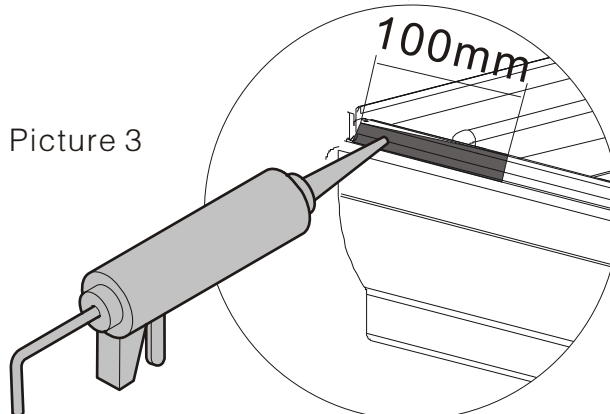
Picture 1



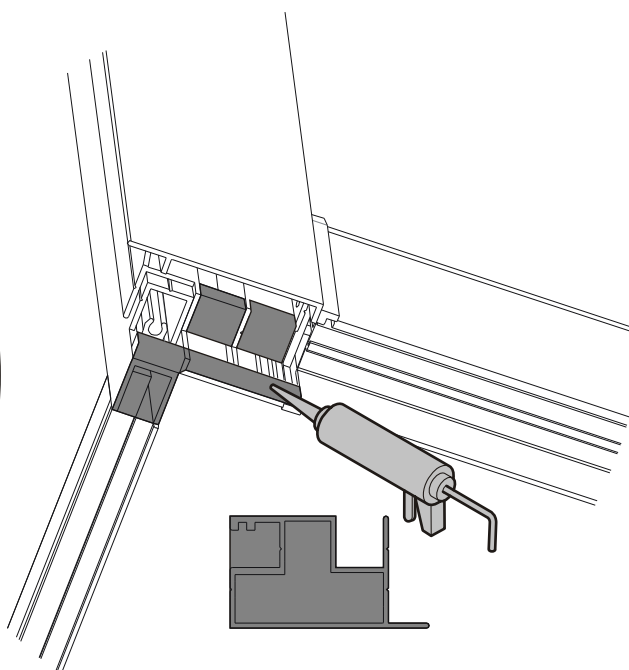
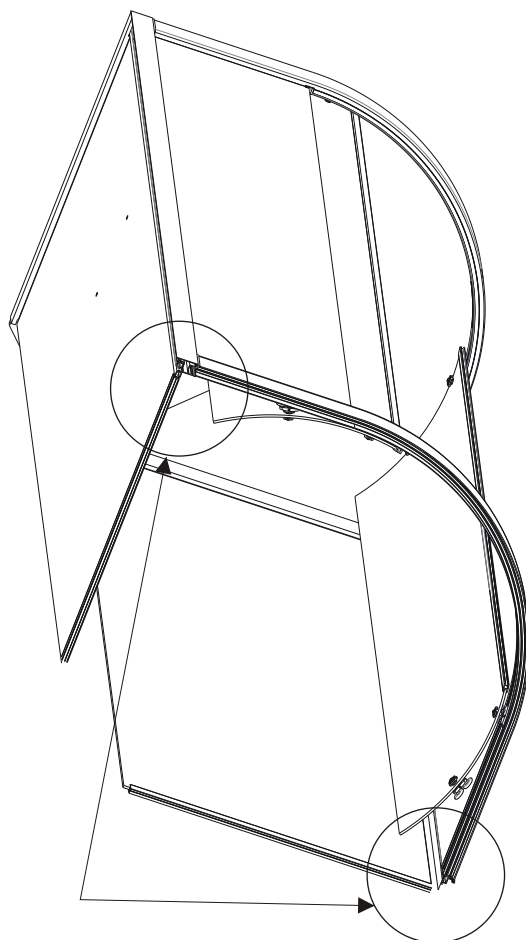
Picture 2



Picture 3

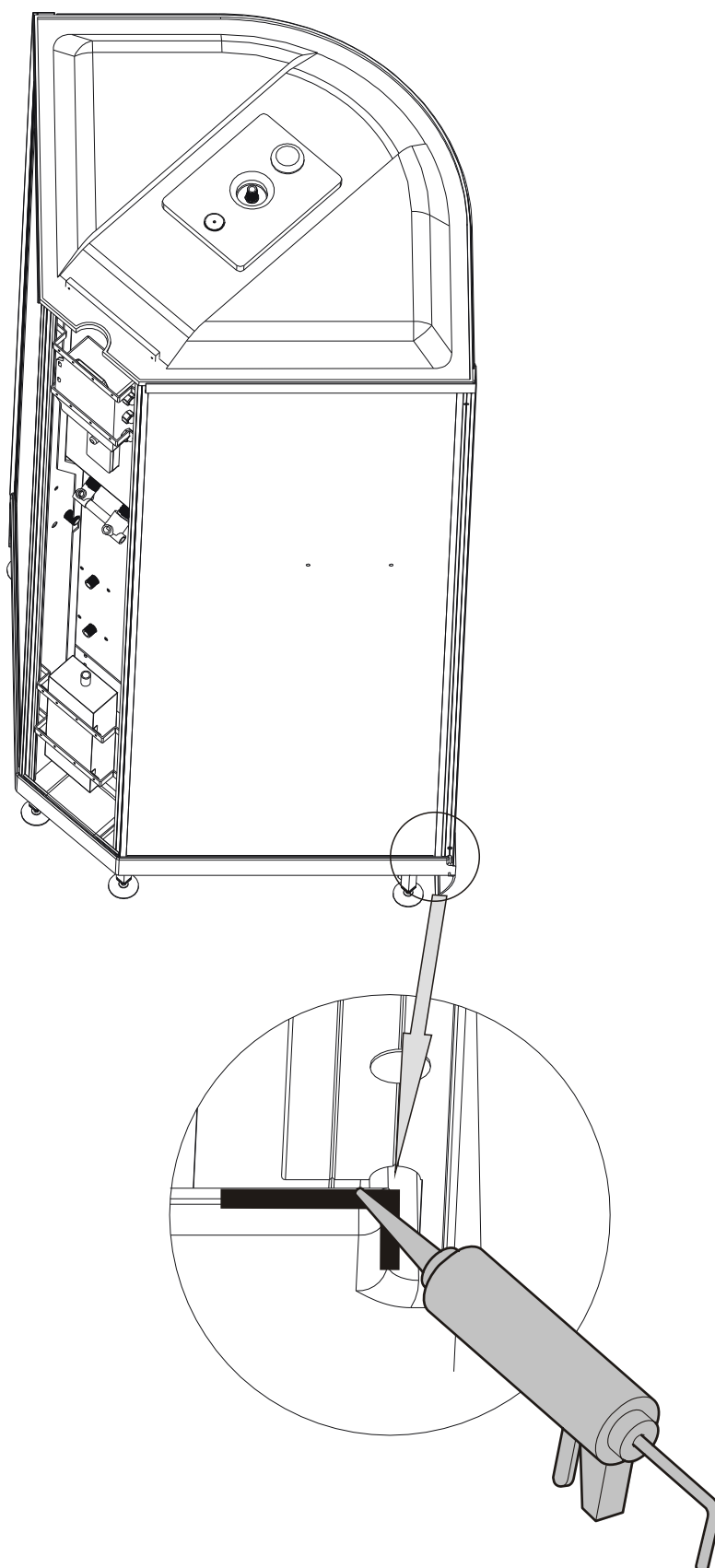


Pls ensure all corner as below picture show are sealed with sanitary grade silicone sealant.(the silicon for both left and right is the same)



As indicated in the following figure, apply glass cement evenly at the connection of aluminum pieces to prevent water leakage.

Pls ensure two corner of tray as below picture show are sealed with sanitary grade silicone sealant.(the silicon for both left and right is the same)



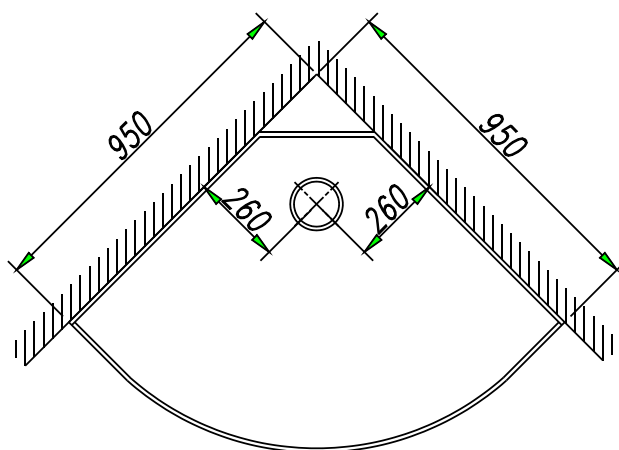
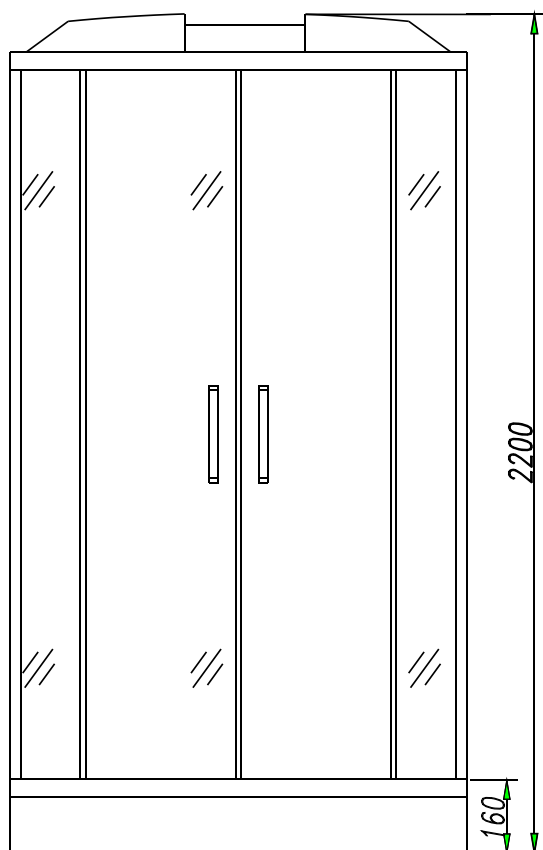
Requirement on water supply system

1. The water supply pressure of the equipment is 0.2-0.4Mpa.
2. 1. Water supply on wall: The hot and cold water supply points in the bathroom should be provided in an inconspicuous position in the steam cabinet, and be connected with the hot and cold water joints in the shower room though hose. The user can decide the direction of the water tray. The hose is not supplied with the equipment.
3. 1. Configuration of water heater: over 40 liters for storage water heater, over 8 liters for tankers water heater.
4. The drain pipe should be one and a half inch.

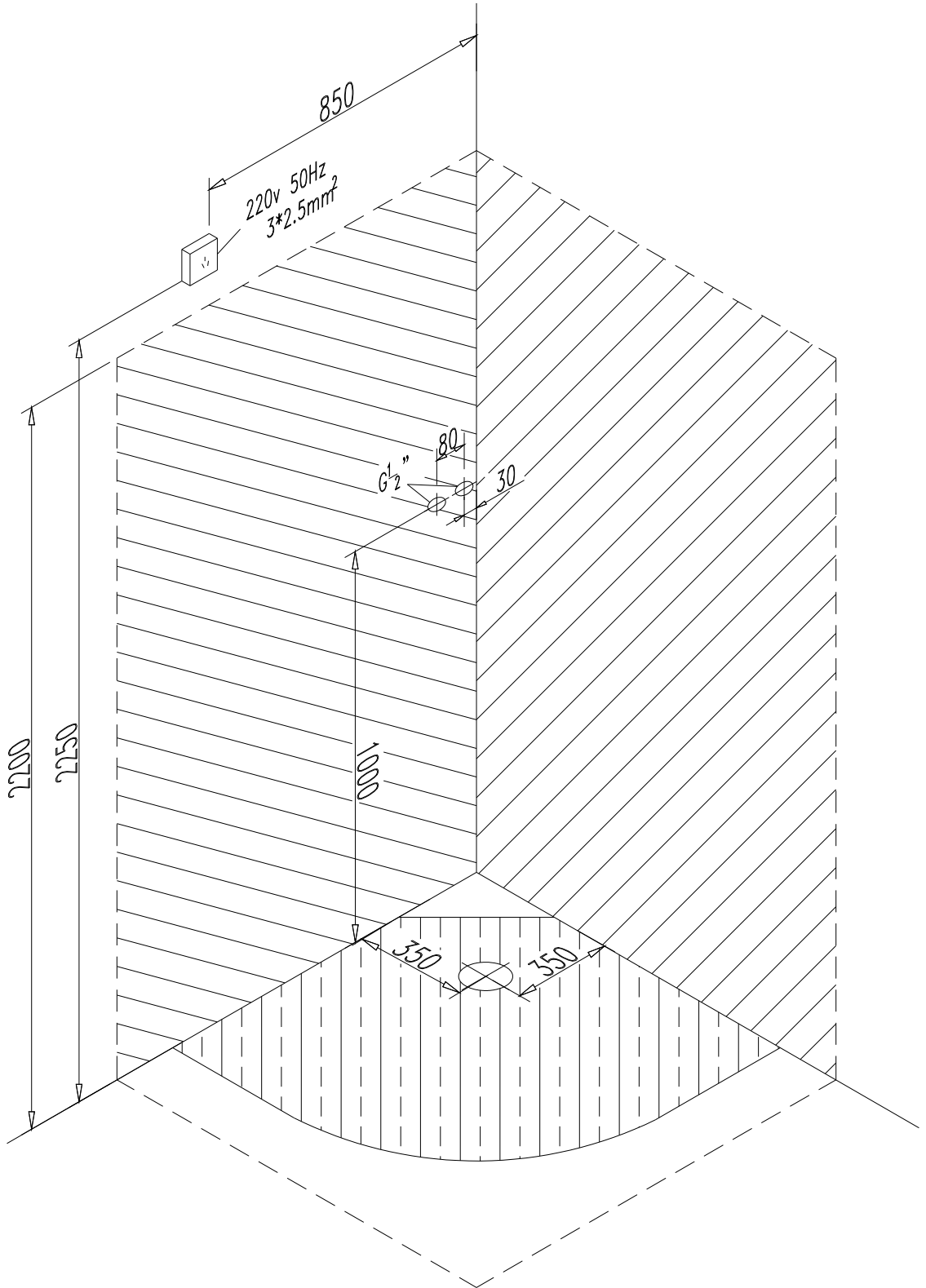
Requirement on electricity supply system

(Standard water and electricity position diagram for installation)

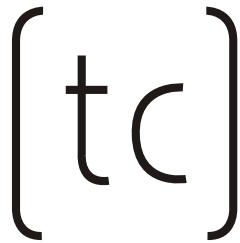
1. The power source facilities in the house should meet the national standard. The voltage and frequency of power source should meet the product requirements. The leakage switch must be installed and the earth protection devices should be tested to be effective .
2. The power cord in the steam cabinet should be fixed permanent cord. The power cord should be 3-core wire, and the sectional area of each core should be 4 square millimeters at least (i.e. 3 X 4mm). The protective sleeve should be used for power cord that passes the wall to power socket.
3. The ground wire of the steam cabinet and that of the house should be connected and tested to be effective.
4. Connect the wire terminal of lead-out wire of the electric cabinet to the control panel, top lamp, loudspeaker and the exhaust fan.



Specification : 950*950*2200mm



Product installation water and electricity diagram



**Traditional and Contemporary
Bathrooms**

www.tc-bathrooms.com

Traditional Contemporary Bathrooms, 800 Bretton Park Way, Bretton Park Industrial Estate,
Dewsbury WF12 9BS TEL: 01924 868383 FAX: 01924 868384

Helpline: 01924 868383