



Assembly Instructions Jupiter Steam Cabinet

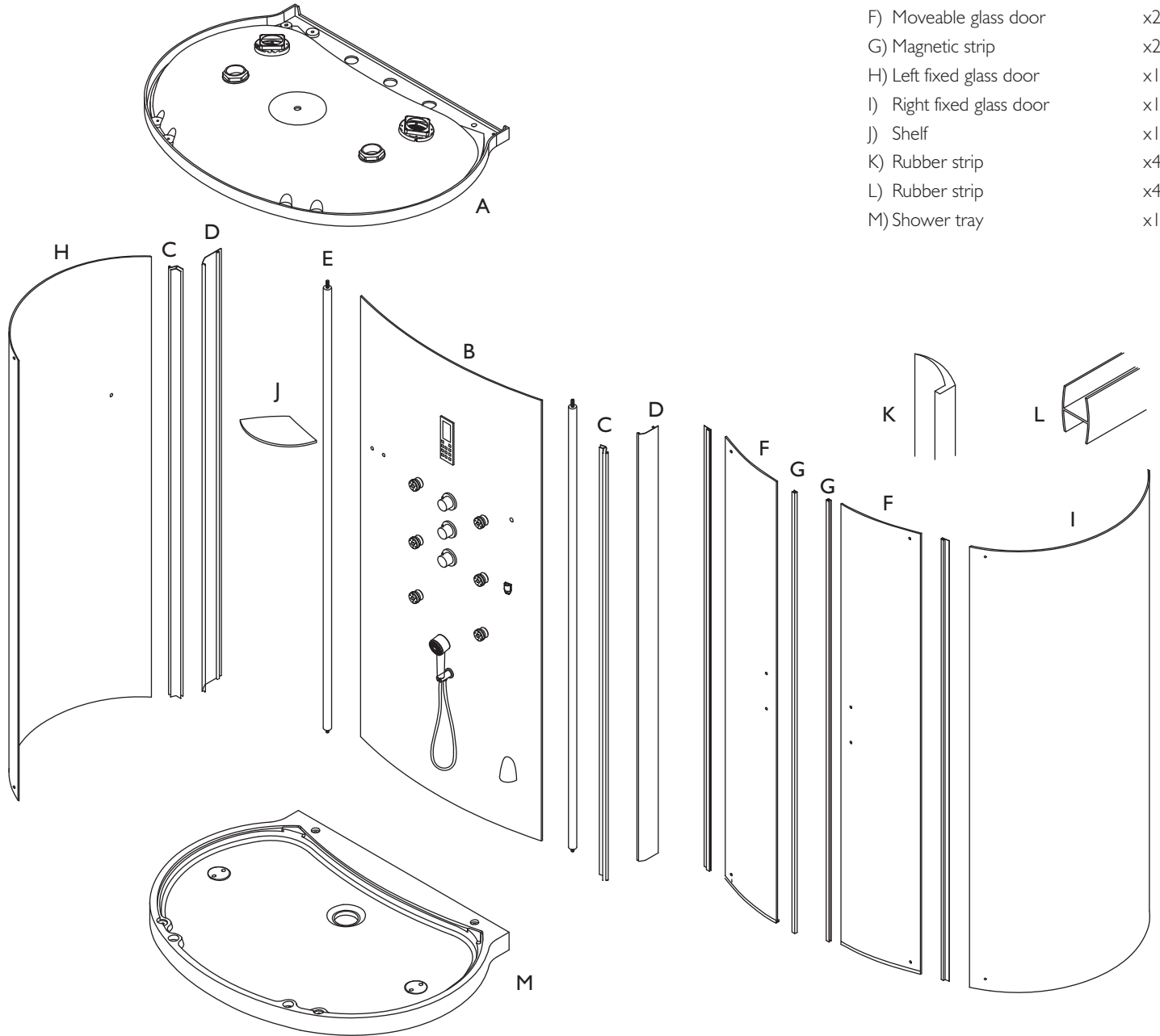
(tc)

traditional contemporary
bathrooms

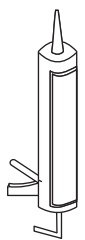
Assembly Instructions Jupiter Steam Cabinet

Check and ensure steam cabin install
creepage switch before use, and the
electric current can not over than 30mA.

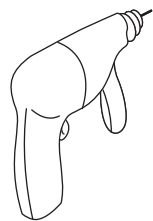
A) Top cover	x1
B) Back panel	x1
C) Connecting aluminium	x2
D) Side column	x2
E) Column for back panel	x2
F) Moveable glass door	x2
G) Magnetic strip	x2
H) Left fixed glass door	x1
I) Right fixed glass door	x1
J) Shelf	x1
K) Rubber strip	x4
L) Rubber strip	x4
M) Shower tray	x1



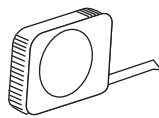
Spirit level



Glass glue



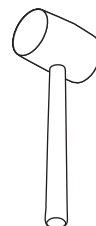
Electric drill



Tape measure



Allen Key



Rubber hammer



Pencil



Philips Screwdriver

Other accessories

Check the accessories when opening the box if there is any damage occurred on transportation. For any problem, feel free to contact the TC Helpline.

	Description	Qty		Description	Qty		Description	Qty
	Handle	x2		Silicon rubber tray	x2		M6x12 Hexangular bolt	x2
	Hinge of column	x4		Black rubber tray	x2		M6 Nut	x6
	Door hinge(up)	x2		Screw 4.2x30	x4		M6x40 Hexangular bolt	x2
	Door hinge(down)	x2		Fixed block of column	x2		M6 Washer	x6
	Connector of shelf	x1		M10 nut	x2		Plastic part for bottom water proof left /right	x1/l
	Outside threaded connector	x2		M6x12 Hexangular bolt	x6		Bottom water proof rubber block	x2
	7010 Syphon	x1		M6x20 Hexangular bolt	x4		5mm/2.5mm Hexangular spanner	x1/l

Recommendations

- Please read the instruction carefully before installation.
- Do not install it by yourself or it may cause water leakage, electric shock and fire because of the wrong installation. Please ask the dealer or special technician to assembly it. We would not be responsible for the problems caused from the private installation by the end user.
- Have to install safty earthed wire for power supply. The earthed wire shall not be connected to the gas pipe, water pipe, lightning rod, telephone wire etc. Electric shock would easily occur from the wrong installation of the earthed wire.
- Pregnant, aged, hypertensive, heart-attacked people under the instruction of Doctor, child must be accompanied with grown, when use the product.
- Pay attention not to damage the supply power cable. Do not hang heavy bojective on the cable or pull it or heat it so that it will make damage on the cable. Electric shock and fire risk would occur.
- Do not pull the cable to make the plug out of the power supply. Please catch the plug, not the cable when pull out the plug. Or it will break the core or heat it to cause fire risk.
- Please stop using the steam cabinet immediately and pull out the plug when it does not run normally (there is a shock). Please contact agent or after-sale service center.
- If the integral cabin need be reinstalled because the end user move his(her) house, the Special technician is strongly required to install it. Please contact the dealer or the after-sale service center.

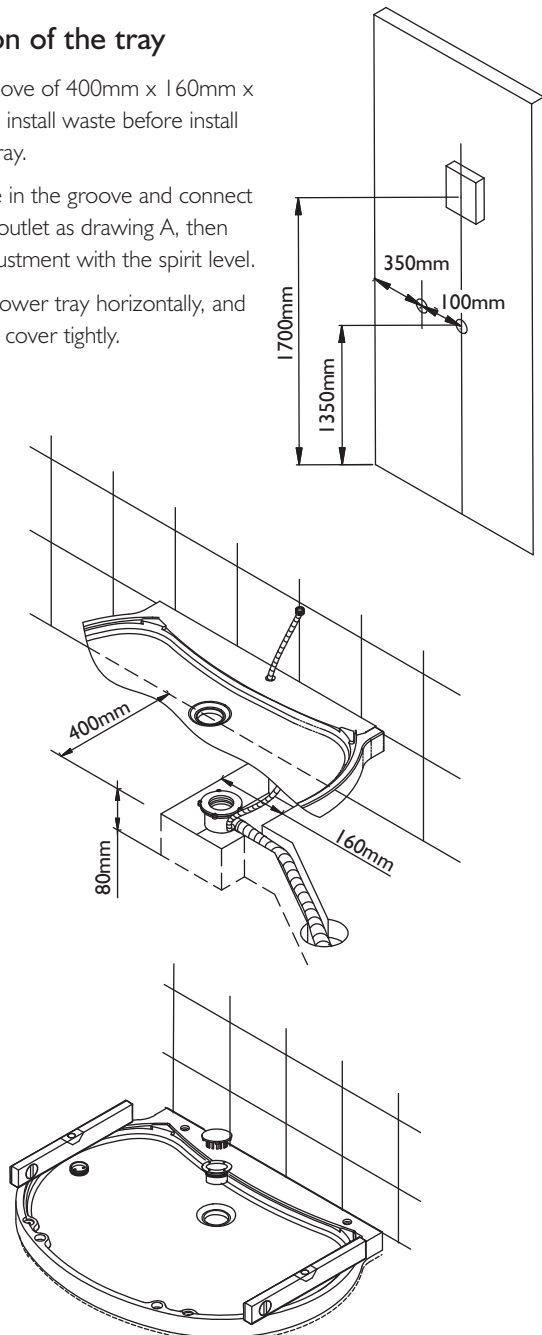
- Before installation, please make sure at first the electric source capacitability and the supply cable whether it is available to the product's rated power. (with reference to the product's label)
- Any valve is strictly prohibited to be added to the steam outlet. Following drawing is just for reference. The base is the product itself.
- TC have the right to use the newest accessories for repair. Do not mix to use the new and old battery or the batteries with different models in the remote control. Please assort and callback the disused batteries. When the battery is weak power it will occur creepage decomposedliquid, that will damage the remote control. When such condition occur, please change to the new battery asap. If the remote control will not be used for a long time, please get the batteries out in order to avoid the creepage decomposed liquid.
- Any other electric or electronic products are strongly prohibited to use in the steam Cabin.
- The appliance should be supplied through a residual current device (RCD) having a rated residual operating current not exceeding 30mA.
- Appliance shall only be used with rated voltage and frequency.
- If the supply cord is damaged, it must be replaced by the manufacturer, ts service agent or similarly qualified persons in order to avoid a hazard and ensure it can withstand IPX4 test. The telephone connection and CD input connection must withstand IPX4 test.
- Don't use other separate steam producing or humidity electrical appliances inside the Cabinet.
- Use the appliance only in the described manner.

Assembly Instructions Jupiter Steam Cabinet

- Don't use or stop using when the appliance is damaged, especially the supply cord and the case.
- The earthed appliance must be permanently connected to fixed wiring.
- **WARNING:** Only allow children to use the appliance without supervision when adequate instructions have been given so that the child is able to use the appliance in a improper use.
- Contact separation in all poles that provide full connection must be incorporated in the fixed wiring in accordance with the wiring rules.
- The new hose-sets supplied with the appliance shall be used and that old hose-sets shall not be used.
- To ensure product's normal working, the inlet water pressure connecting with the cabin should be 0.1MPa \sim 0.8MPa.
- Here only for the common drawings but there may be a little difference on the product itself.

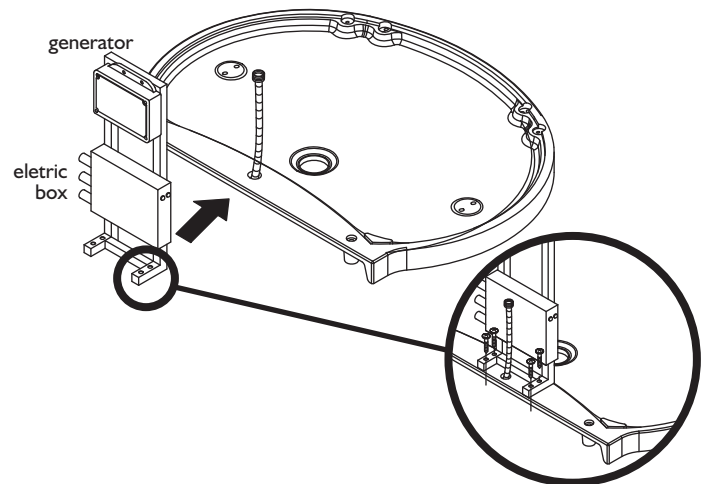
Installation of the tray

1. Make groove of 400mm x 160mm x 80mm to install waste before install shower tray.
2. Put waste in the groove and connect drainage outlet as drawing A, then make adjustment with the spirit level.
3. Check shower tray horizontally, and fix the waste cover tightly.



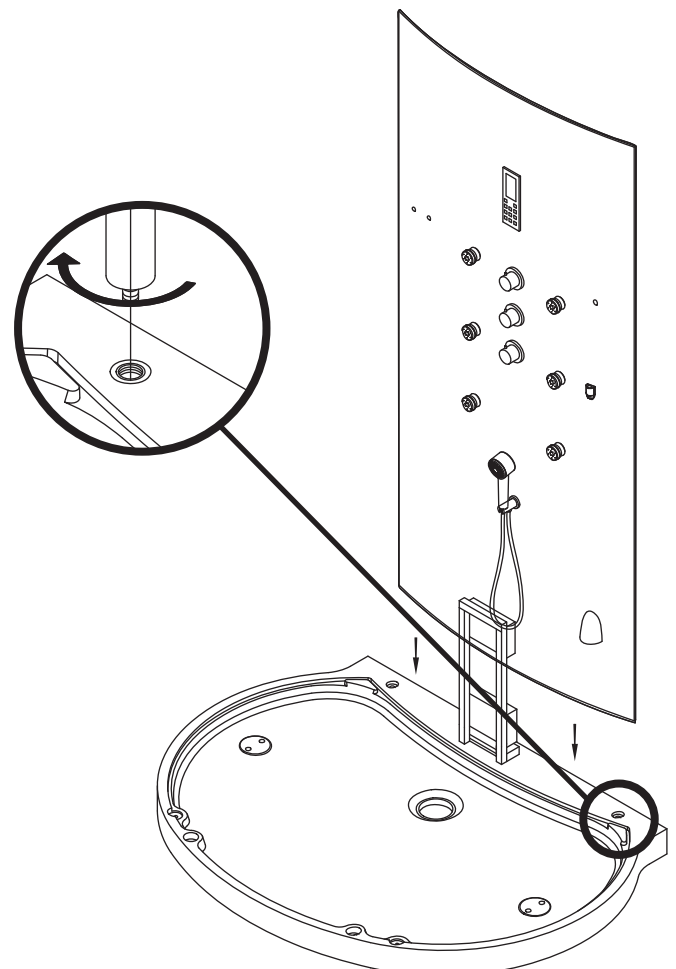
Install electric box & generator

1. Aim the corresponding hole of shower tray in order to install rack on the tray.
2. Lock tightly with screw 4.2*30 as below drawing.



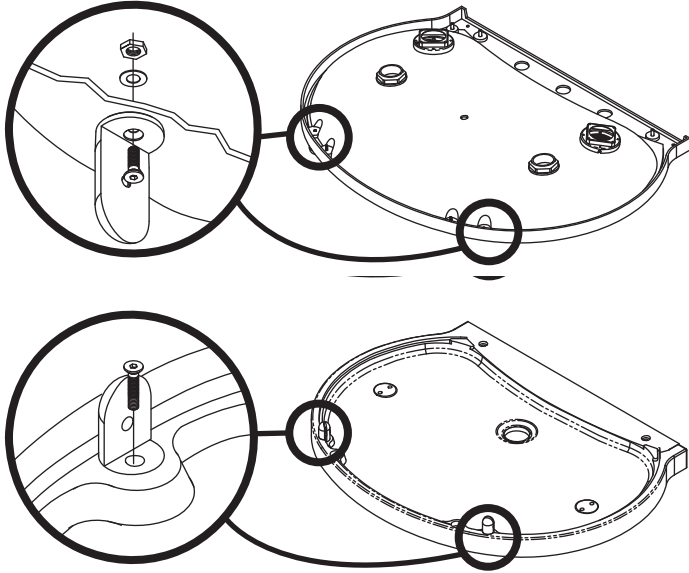
Install the back panel

1. Lift and put glass back panel on the shower tray
2. Connect steam hose, waste with generator, then connect the cold & warm water hoses with water source after drain the dirty water of the hose.
3. Install column E as drawing.

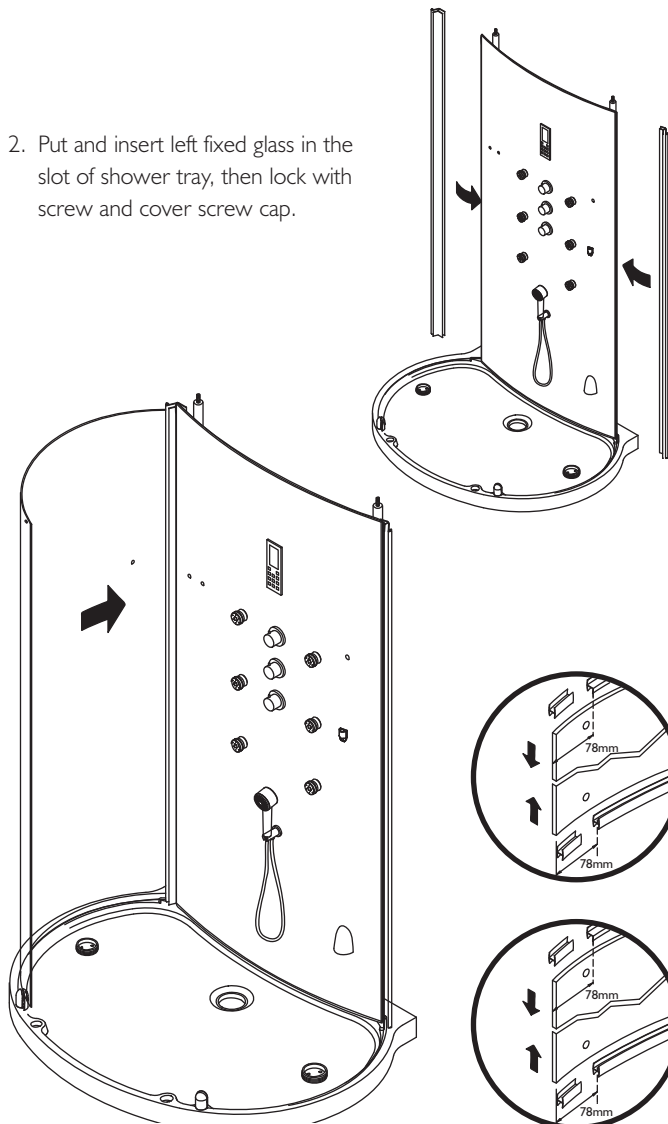


Install fixed glass door

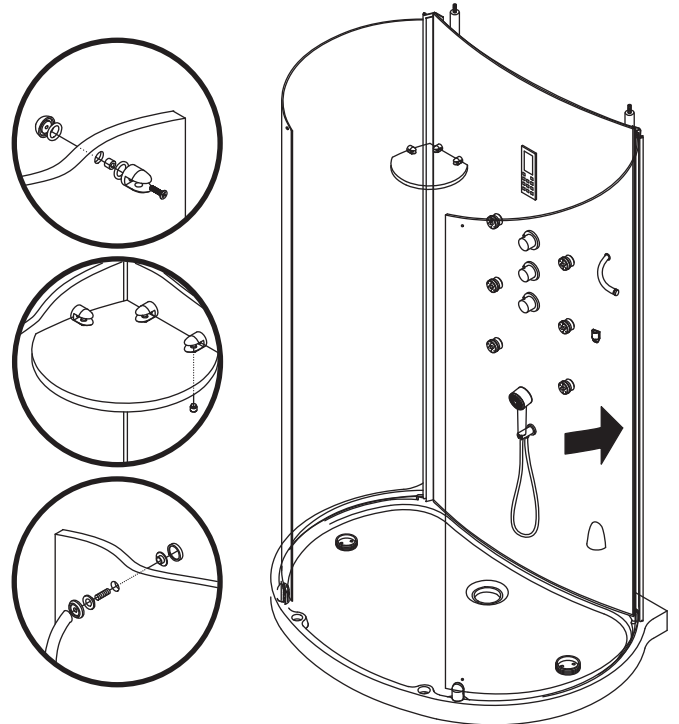
1. Lock hinge of column on the shower tray & top cover tightly and use M6 bolt & washer of M6 nut as drawing.



2. Put and insert left fixed glass in the slot of shower tray, then lock with screw and cover screw cap.



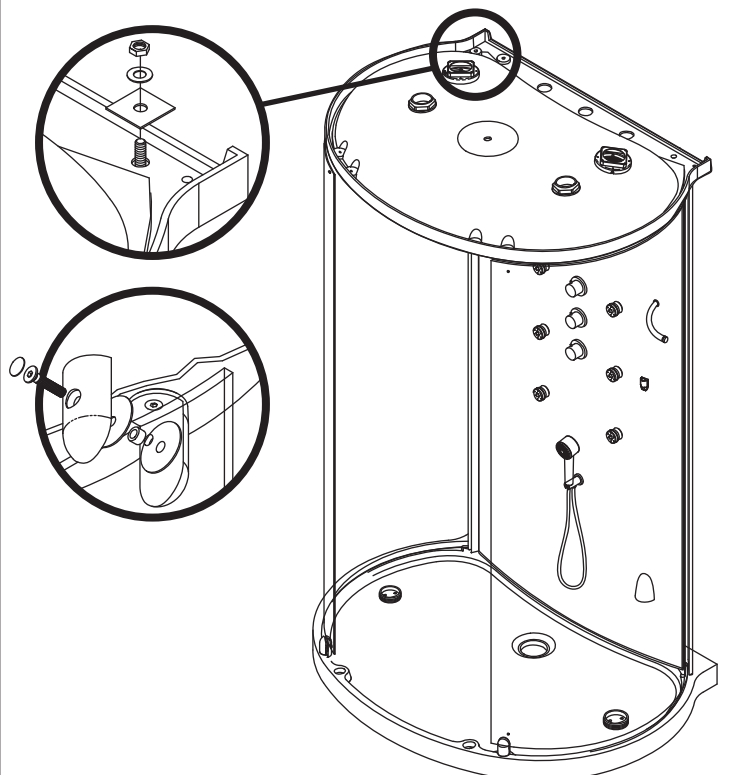
3. According drawing to install shelf



4. Do same way to install right fixed glass door as step 2.
5. Install shower bar as drawing.

Install top cover

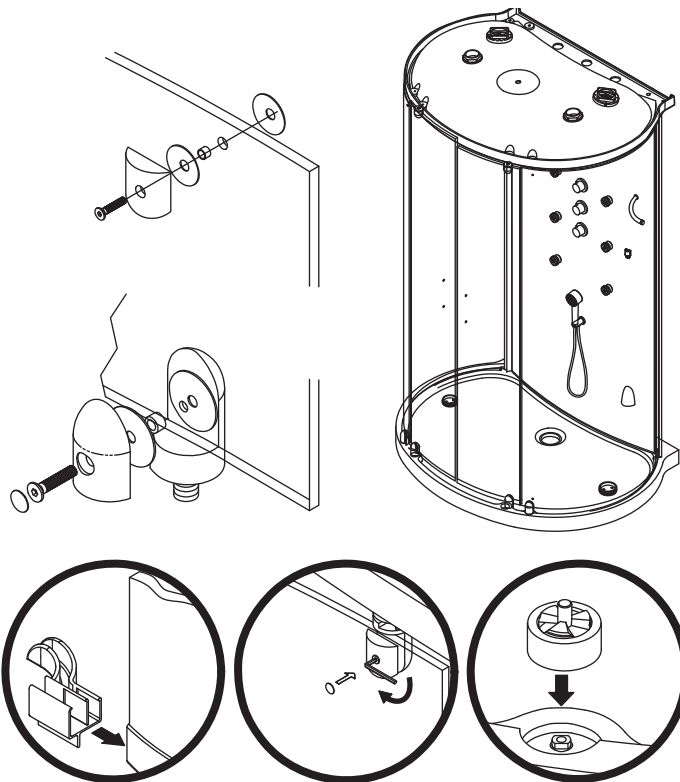
1. Put the top cover on the top of the cabin carefully, make the top cover's hole accord to the upper part's hole of the backboard. Then fix tightly the top cover and the back board with screw.



Assembly Instructions Jupiter Steam Cabinet

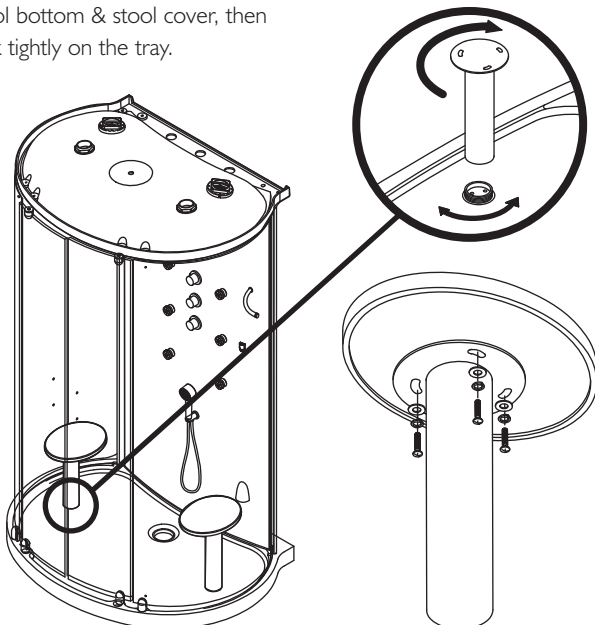
To install the plastic part of water proof and the removable glass.

1. Refer to the drawing to insert the plastic part into the bottom aluminum profile.
2. Refer to the drawing to fix the seat of hinge on to the shower tray.
3. Lift the removable door and insert the bottom hinge into the hinge seat. To connect the up hinge seat and fix it.
4. To install the connector of shelf on to the hole of removable glass. Then lift the glass and to insert it into the lift hinge and up hinge seat separately.



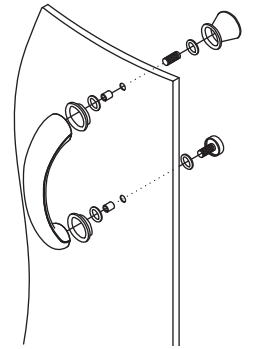
Install stool

Use screw M6*12 to connect stool bottom & stool cover, then lock tightly on the tray.



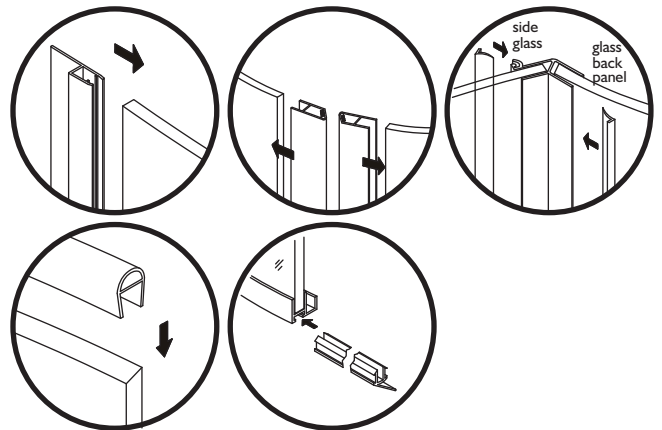
Install handle

Install handle on 2pcs moveable glass door, then check if operate smoothly, otherwise adjust door hinge.



Install the rubber strip

1. Install side waterproof rubber strip separately on the sides of the two moveable glass doors and those of the two fixed doors.
2. Insert the magnetic strip on the sides of the moveable glass door separately.



Checking

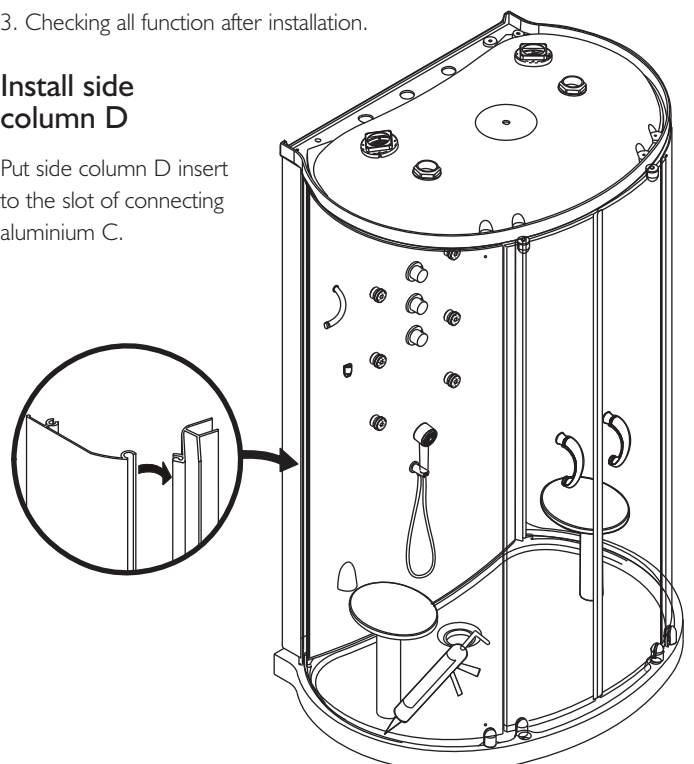
After installation, check the door move well, then glass glue can be covered on the gap to prevent water leak

Water flow equipment installation

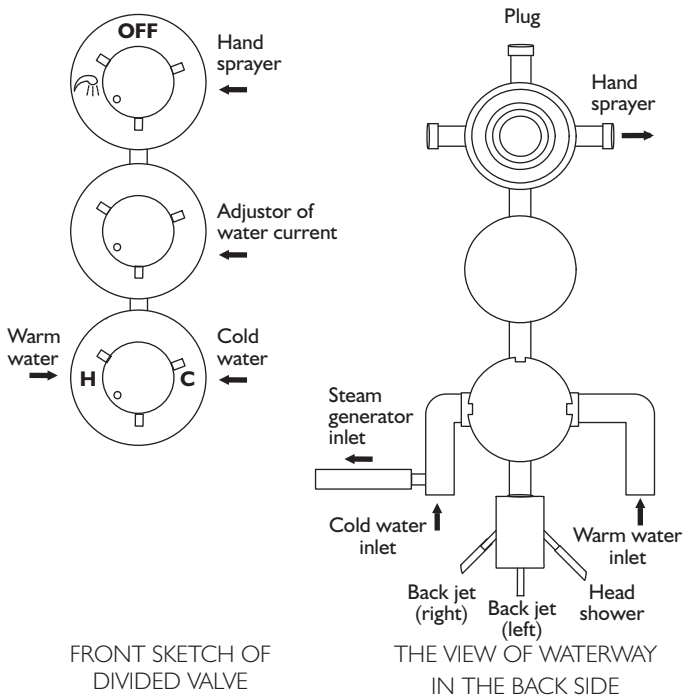
1. Connect head shower & head shower hose.
2. Connect the cold & warm water hoses with water source.
3. Checking all function after installation.

Install side column D

Put side column D insert to the slot of connecting aluminium C.



The instruction of waterway operation

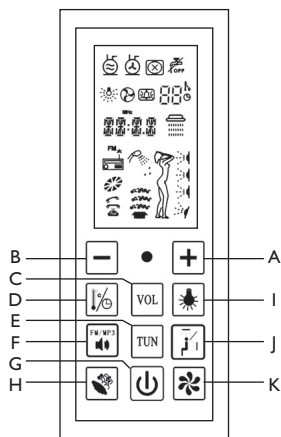


Electric Part

Distribute electricity requirement:

Rating Voltage	Controlled Voltage	Rating frequency	Rating power
220V AC	12V	50HZ	3KW

Operation illuminate



- A) Increase volume, temperature, change channel, timing
- B) Decrease volume, temperature, change channel, timing
- C) Press to enter Volume, then press "+" or "-" adjust volume
- E) Press to enter Channel, then press "+" or "-" to change channel
- F) Radio/MP3 on/off switch
- F) Light on/off switch
- G) Main power on/off switch
- H) Steam on/off switch
- D) Press to enter Temperature/Time, then press "+" or "-" to adjust
- J) Main/Side jets on/off switch
- K) Fan on/off switch

Malfunctions and solutionn

Problems	Default reasons	Solutions
No electricity	Creepage switched off	Creepage switched on
	Electrical wire disconnected	Check if it is connected with power
No steam	Not start steamer	Turn on the steamer button
	Temperature wrongly set	Check whether the set temperature is over the room temperature
	No water source or water switch off	Check water source or turn on the water switch
	The filter of electromagnetic switch jammed, or electromagnetic switch disconnected or damaged	Clean the filter of the electromagnet and reconnect it or replace it
	The pin floater disconnected or broken	Reset or reconnect the wire
No steam out from the steamer outlet but water	The pin floater's wire is disconnected.	Recheck and repair the wire
	Too much dirts on the pin floater	Clean the dirts
	The grounding wire of control panel and steam generator disconnected	Connect the grounding wire
	Magnetic valve be blocked	Clean or replace valve
No water from the jets	Jets jammed	Clean the jets
	Electromagnet switch disconnected or damaged	Reconnect the wire or
	No water source.	Replace the
No voice from radio	The wire of speaker is loose or speaker broken	Connect the wire of speaker or Replace the speaker
	Control wire or speaker disconnected	Connect the control wire
	Adjust to lower volume	Largen volume
Voice not clear	Antenna disconnected or wrong direction	Connect the antenna and adjust the direction
	Weak signal	Put antenna outside
No light	Light wire disconnected or bulb damaged	Connect the wire or replace the bulb
	Fan not working	Wire disconnected Fan damaged
Creepage on usage	Grounding wire disconnected	Connect the grounding wire according the standard



www.tc-bathrooms.com

Traditional Contemporary Bathrooms, Unit 2, Jubilee Way, Grange Moor,
Wakefield WF4 4TD. Tel: 01924 845 000 Fax: 01924 845 001

Helpline 01924 845000