



**Installation instructions**  
**GOBI STEAM**  
**CABINET**



Traditional and Contemporary  
Bathrooms

## Product and Installation

Please read these instructions fully before installation

(TC) Products should be installed by a competent qualified Bathroom Installer/Plumber and a Part P registered electrician only. Failure to do so may result in damage to the product, and may result in the invalidation of any warranty or guarantee.

(TC) Products should always be fully inspected and examined at the earliest possible opportunity after purchase. Damage/defects should be reported prior to installation. Failure to do so will be seen as acceptance of quality.

This unit is designed to be free-standing and should not be built-in. This allows for quick access to services and easier fitting. Reasonable access must be available for servicing purposes.

It is recommended that the unit is built up a few feet away from its intended location, so as to be able to access the rear of the unit during its construction.

Prior to fitting it is recommended that both the walls and floor behind and below the unit are tiled.

Laminate, vinyl & carpet floorings are not recommended.

Due to the size and weight of this product, (TC) recommend at least two persons install the unit.

(TC) Recommend all pre-fitted connections/ fittings are checked & tested during and after installation to ensure a water tight connection.

# PART ' 1 **User's guide**

01	Tips
02/03	Packing List
	Major accessories Parts Attached documents
04	Operating Descriptions
	Product structure Function configuration
	Use of control panel Use of other functions

## PART ' 2 Installation instruction

- 05 | Requirements on water
  - Requirement on installation environment
  - Water supply system
- 06 | Installation steps

## Product and installation

### [Warning]

! To avoid fire or electric shock accident, do not expose the controller in rain or a damp environment. Do not open the cover of controller since it contains dangerous high-voltage accessories inside. Only entrust maintenance to qualified professional maintenance personnel.

! Due to high temperature of the steam generator and dampness of metal, do not contact the device until the main power of the controller is cut off and heating has stopped for 30 minutes to avoid scald and electric shock.

! Any change or alteration to the controller without recognition by the controller manufacturer or its authorized organization may bring inconvenience in use to the user.

### [Notes]

! Please read through the instructions so that you can understand how to use the controller correctly.

! Keep the instructions in a safe place for future reference after you read it. If you need maintenance, please contact the local distributor or the technical service center of our company.

### [Notes on use]

! Please unplug the controller if it will not be used for a long time.

! Make sure that all wiring and power cord have been connected correctly before turning on the power.

! Please put the controller in a dry and well-ventilated place. Keep the device away from heat source and other heat radiation subjects, as well as direct sunlight, mechanical vibration, damp and dusty environment.

### [Useful notes]

! To extend the service life of the controller, do not turn it on and shut it off within 30 seconds.

! Turn off the power after use.

! The power supply must comply with the required voltage value

## Packing List

Read the product manual carefully after opening the package. Then check if the product accessories and parts are complete and intact according to the packing list.

### Major Accessories

No.	Name	Quantity
1	Aluminum piece E026	1
2	Adhesive tape	10
3	Fix glass	1
4	Aluminum piece CAL035	1
5	Back board glass	1
6	Tray	1
7	Aluminum piece CAL036	1
8	Back board glass	1
9	Aluminum piece CAL020	2
10	Magnetic bar	2
11	Flexible glass	1
12	Fixed glass	1
13	E type handle	1
14	Tray	1
15	Draining cover	1
16	Glass clip	2
17	Shower	1

**Parts**

Name	Quantity
Tapping screw ST4*3	8
Four-way male elbow	1
Round head screw M6*10	4
Decorative cover	8
Plastic hexagonal nut	6
Stainless steel water pipe clip	12
Black net pipe	2.3m

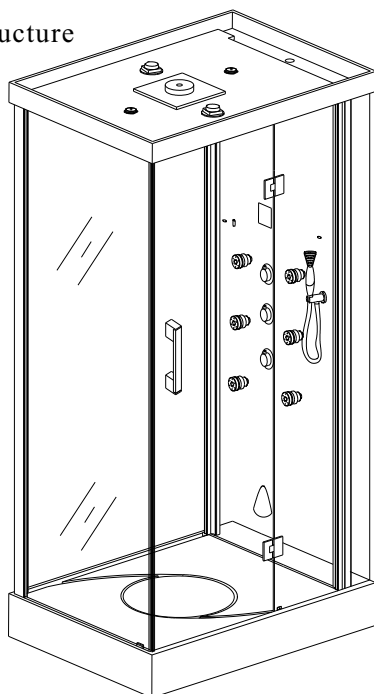
**Attached documents in package:**

1. Record Card for Customer Service
2. Feedback Sheet for Product Quality Information
3. Maintenance Record Card of After-sale Service
4. User Card for Installation and Maintenance Service
5. Product Warranty

Notes: Please read the manual carefully and place it with other attached documents.

## Operating Descriptions

### Product structure



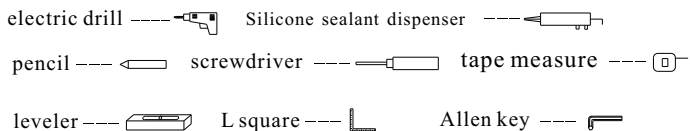
### Function configuration

Functions	JG-588	Functions	JG-588
Touch technology	✓	Temperature display and adjustment	✓
Top lamp	✓	Clock display and adjustment	✓
Fan	✓	Ozone sterilization	Optional
Connecting CD	✓	Remote control	✓
Steam sauna	✓	steam engine self-cleaning	✓
FM digital tuning	✓		

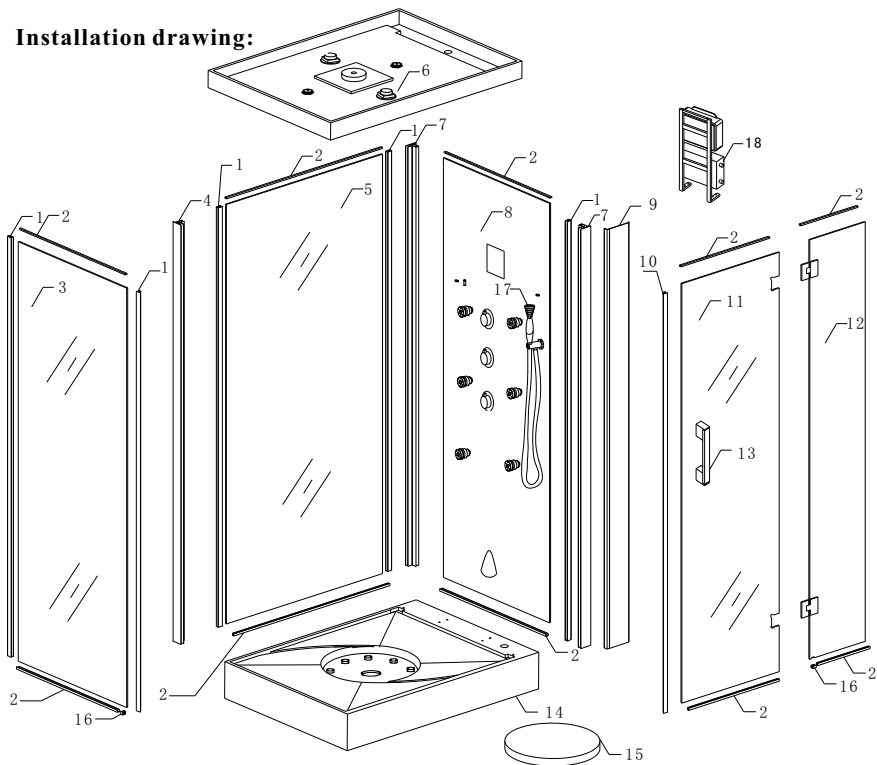
## Requirement on water supply system

1. The water supply pressure of the equipment is 0.2-0.4Mpa.
2. Water supply on wall: The hot and cold water supply points in the bathroom should be provided in an inconspicuous position in the steam cabinet, and be connected with the hot and cold water joints in the shower room through hose. The user can decide the direction of the water tray. The hose is not supplied with the equipment.
3. Configuration of water heater: over 40 liters for storage water heater, over 8 liters for tankless water heater
4. The drain pipe should be one and a half inch.

## Installation steps:



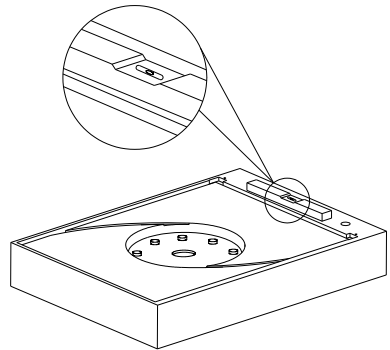
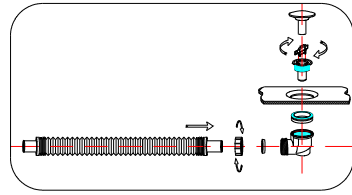
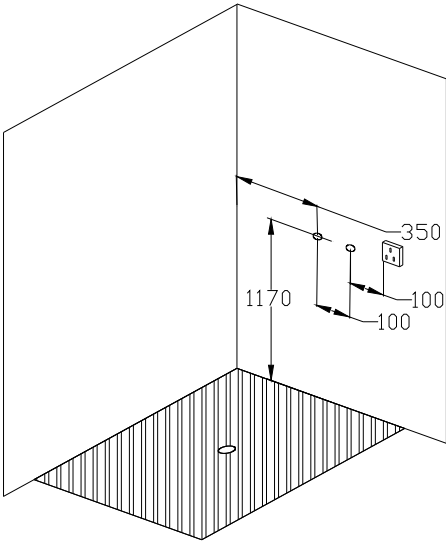
### Installation drawing:



No.	Name	Quantity	No.	Name	Quantity
1	Aluminum piece E026	1	10	Magnetic bar	2
2	Adhesive tape	10	11	Flexible glass	1
3	Fixed glass	1	12	Fixed glass	1
4	Aluminum piece CAL035	1	13	E type handle	1
5	Back board glass	1	14	Tray	1
6	Tray	1	15	Draining cover	1
7	Aluminum piece CAL036	1	16	Glass clip	2
8	Back board glass	1	17	Shower	1
9	Aluminum piece CAL020	2	18	Rack of electric box	1

## Install the tray:

1. Mount the drainer on the draining hole of the tray as indicated in the figure. Connect the draining pipe and adjust its position, and then screw the drainer cover.
2. Adjust the tray with the leveler, and adjust the foot screws of the tray to make it horizontal.



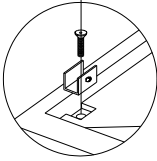


Figure 1

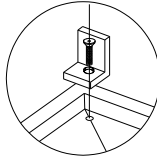


Figure 2

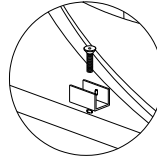
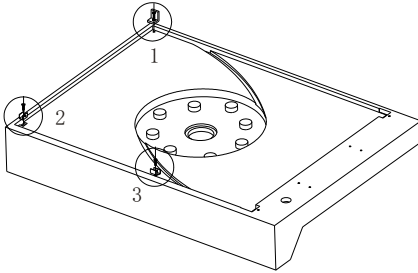


Figure 3



3. As indicated in the above figure, fix the glass clip and the spacer of the aluminum piece on the reserved position of the tray and the top cover.

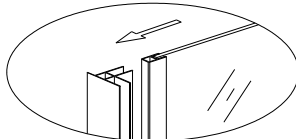
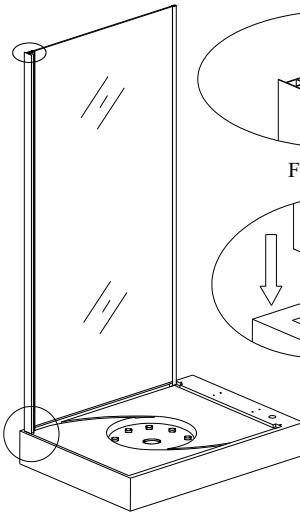


Figure B

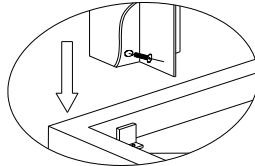


Figure A

4. Insert the connecting aluminum piece into the spacer, and lock it with the screw (as indicated in Figure A). Then insert the fixed glass into the glass slot of the connecting aluminum piece and fix it (as indicated in Figure B).

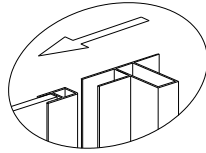
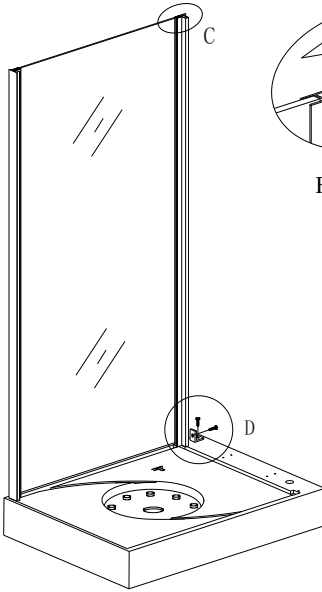


Figure C

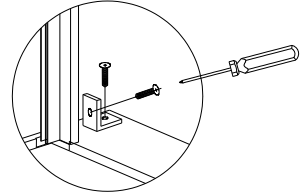
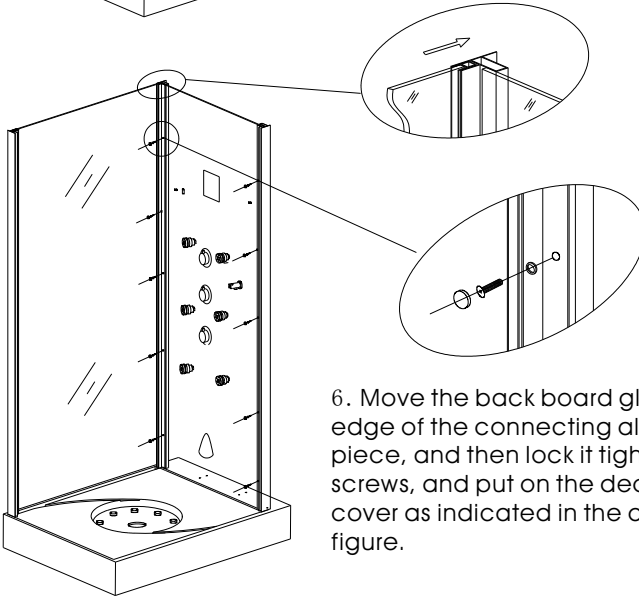


Figure D

5. As indicated in figure C, connect the connecting aluminum piece and the fixed glass, so that the glass is stuck in the slot, and the aluminum piece is stuck in the corresponding position of the tray. Then lock it tightly with screws (as indicated in figure D).



6. Move the back board glass onto the edge of the connecting aluminum piece, and then lock it tightly with screws, and put on the decorative cover as indicated in the above figure.

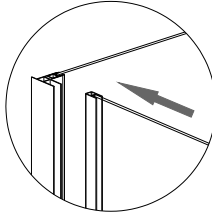
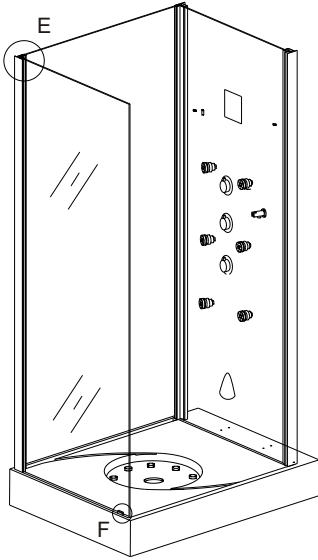


Figure E

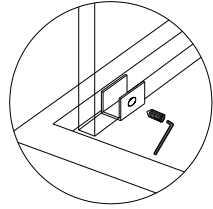


Figure F

7. As indicated in figure E, insert the side glass into the glass slot of the connecting aluminum piece and fix it. Then lock the glass and the tray tightly with the Allen key as indicated in figure F. Then install the magnetic bar.

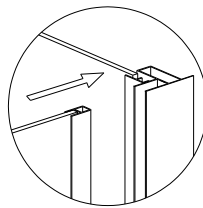
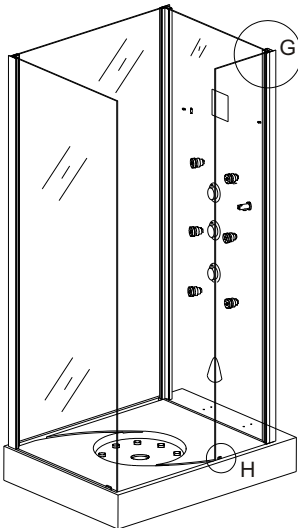


Figure G

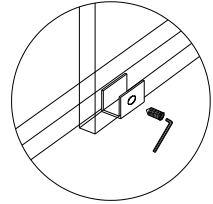
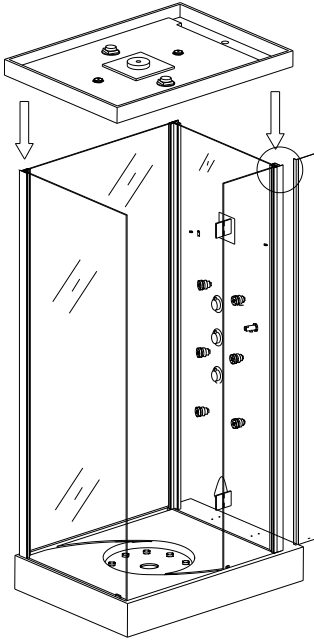


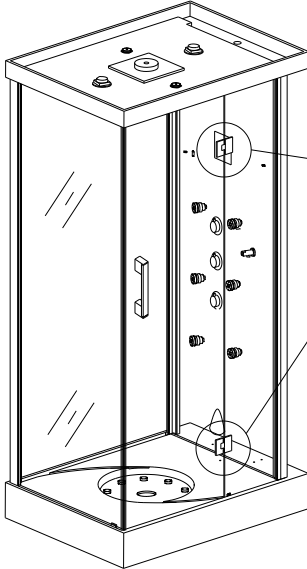
Figure H

8. Install the front side glass by referring to step 7 (as indicated in figure G and figure H).

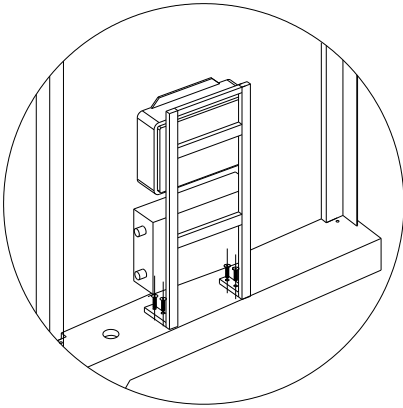


Enlargement of A

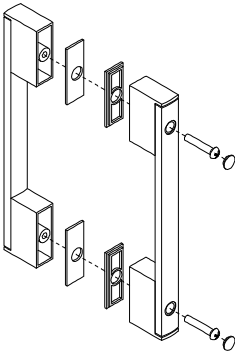
9. Fix the decorative aluminum piece onto the side edge of the room with screws (as indicated in the enlargement of A). Then move the top cover onto the room, and adjust its position and fix it with screws (referring to steps 4 and 5).



10. Install the flexible glass. Fix the glass door according to the above method. The contact between the hinge and the glass must be provided with cushion.



12. Install the rack of electric box on the tray at the side of back board, and lock it with screws as indicated in the left figure.



13. Mount the handle of the flexible door as indicated in the left figure (Mount the handle's decoration side at the inner side of the glass).

14. Finally, connect the top shower connector with the top shower step of faucet.

Connect the wire of ventilation and the loudspeaker of the electric box with the exhaust fan and the loudspeaker on the top cover. Connect the shower hose to the shower connector and shower of the back board.



**Traditional and Contemporary  
Bathrooms**

**[www.tc-bathrooms.com](http://www.tc-bathrooms.com)**

Traditional Contemporary Bathrooms, 800 Bretton Park Way, Bretton Park Industrial Estate,  
Dewsbury WF12 9BS TEL: 01924 868383 FAX: 01924 868384

**Helpline: 01924 868383**