

REF: IN00142

Issue No.: B
Date: 27/07/08

Round Steam Cabin



Step-by-Step Installation Guide

REF: IN00142

Issue No.: B
Date: 27/07/08

Steam Cabin Instructions

Read all of these instructions and retain this guide for later use.

Pass on this guide in the event of change of ownership of the installation site.

Follow all warning, cautions and instructions contained in this guide, and on or inside the appliance.

Electrical Installation.

The electrical installation must comply with the “Requirements for Electrical Installations” commonly referred to as the IEE Wiring regulations, or any particular regulations and practices, specified by the local electricity supply company in force at the same time of installation. The installation should be carried out by an electrician or contractor who is registered, or is a member of, an association such as

National Inspection Council for Electrical Installation and Contracting (NICEIC), throughout the UK.

The electrical contractors association (ECA), England and Wales.

The electrical contractors association of Scotland (ECAS).

Product rating:

220 – 240V AC

2500 – 3800 W

THIS APPLIANCE MUST BE EARTHED.

Ensure supplementary bonding complies with the “Requirements for Electrical Installations”

In accordance with the current edition of “The Plugs and Sockets etc (safety) Regulations in force at the time of installation, this appliance is intended to be permanently connected to the fixed electrical wiring of the mains system.

A double pole switch of a suitable rating must be used to enable disconnection from the mains supply. This switch can be a ceiling mounted pull-cord type within the shower room or a wall mounted switch in an adjacent room.

It must have an independent supply from consumer unit rated at 20 amp. The circuit requires protection from an RCD with a sensitivity not exceeding 30 mA.

The electrical circuits to the steam cabin need to conform with part P of Building Regulations, and user/installer should contact their local borough council for further help and advice if required.

Mains supply connections.

Live = Brown wire

Neutral = Blue wire

Earth - Yellow/Green wire

Plumbing System

The plumbing installation must comply with the requirements of UK Water Regulations/Bye-Laws (Scotland), Building Regulations or any particular regulations and practices, specified by the local water company or water undertakers. The installation should be carried out by a plumber or contractor who is registered, or is a member of, an association such as

Institute of Plumbing (IOP), throughout the UK.

National Association of Plumbing, Heating and Mechanical Services Contractors (NAPH&MSC), England and Wales.

Scottish and Northern Ireland Plumbing Employers Federation (SNIOEF), Scotland and Northern Ireland.

Requires hot and cold water feeds

This product will require a minimum water pressure of 1.5-3.0 bar to function correctly. We recommend fitting a negative head water pump to all steam cabins.

This product can be fitted to a combination water heating system, however you can not fit pump to any combination boiler system. It is illegal to do so, as this can starve the combi boiler of water and cause severe malfunctions.

We also recommend that you install a water filter.

Large bore, non restrictive isolator valves should be fitted to the hot and cold water supplies, as close to the steam cabin as possible, to enable easy disconnection of the water supply for servicing.

The fitting of standard small bore isolator valves into the cabin water supplies may cause the cabin to malfunction.

The water connection to the steam cabin must be made by reinforced flexible hoses to enable the cabin to be manoeuvred during installation and servicing.

Thoroughly check all pipe fittings for tightness and leaks before moving the cabin into final position against the wall.

General Installation

Steam cabins must be installed as a free standing unit and not sealed against walls to enable easy removal for servicing. (It is recommended that the floor is fully covered or tiled under steam cabin, with no steps in floor level. It is also advisable to fully finish walls with no steps in tiles etc behind steam cabin).

All internal panel joints must also be sealed with a suitable silicon sealant. Pay particular attention to the lower corners where the plastic side/back panels meet the front metal frame.

Safety Notes

No separate electrical steamers or humidifiers are to be used inside the cabinet.

Anyone who may have difficulty understanding or operating the controls of any shower should be attended whilst showering. Particular consideration should be given to the young, the elderly, the infirm, or anyone inexperienced in the correct operation of the controls.

If the supply cord is damaged, it must be replaced by the manufacturer, its service agent or similarly qualified persons in order to avoid a hazard.

Steam Cabin Maintenance

Steam Cabin Cleaning

Shower Cubicle

Clean the acrylic and plated surfaces with a mild washing up detergent or soap solution, and then wipe dry with a soft cloth.

Do not use household cleaners that contain abrasives, alcohol, acetone, ammonia or other solvents on any part of the steam shower cabin.

Minor surface scratches on the top and base can be removed by lightly rubbing with 1200 grit wet & dry abrasive paper. This can then be followed by polishing the repaired area with an automotive colour restorer (T-cut) and then finish with a automotive wax polish.

The glass panels can be cleaned with any cream or liquid glass cleaner.

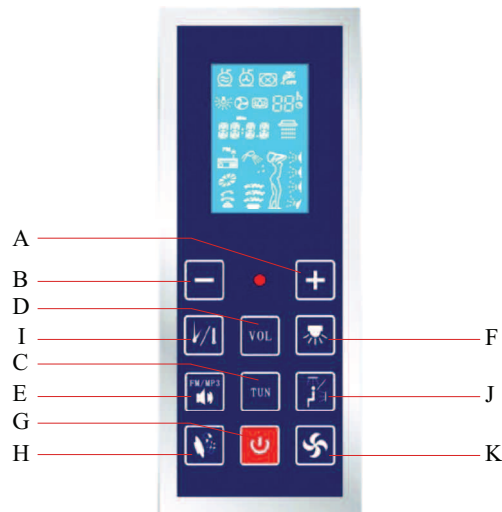
Control Display Panel

Wipe the control panel with a clean soft cloth after use. If the surface becomes dirty, use a solution of non-abrasive soap and warm water with a soft cloth to clean.

Showerhead

To clean lime scale deposits from the shower head, unscrew the nozzle and soak in a suitable proprietary de-scaling solution in accordance to the manufacturers instructions. Do not use metal tools to clean the shower head with.

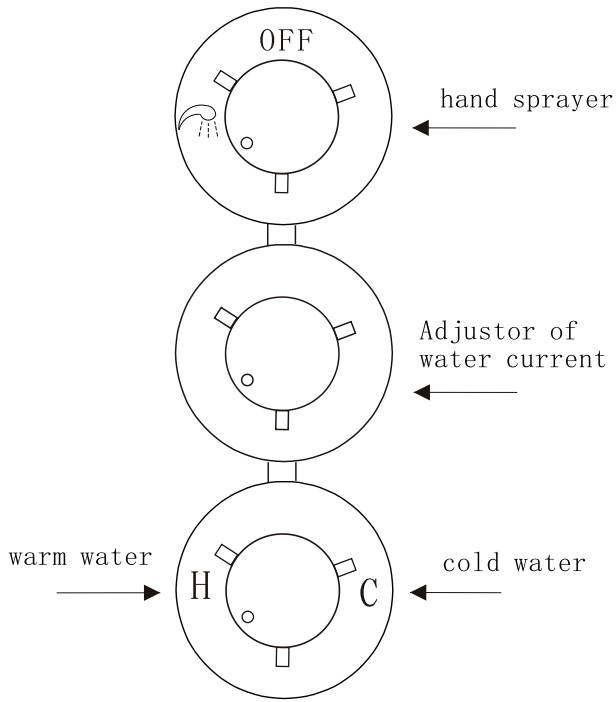
Steam Cabin Control Panel



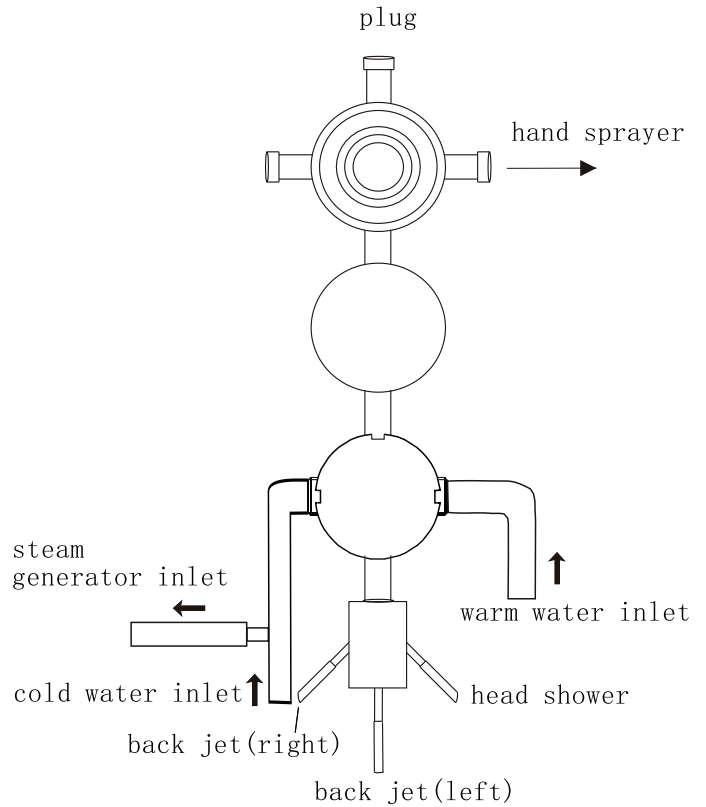
- A: "+" button to increase the volume, channel frequency, temperature, timing or navigate MP3 tracks
- B: "-" button to decrease the volume, channel frequency, temperature timing or navigate MP3 tracks
- C: Channel button - press button then either "+" or "-" to tune the radio frequency
- D: Volume button - press button then either "+" or "-" to change the volume settings
- E: Radio / MP3 button - Press button to turn on or off the radio / MP3 feed
(Flashdrives connect via a USB Connection on the roof)
- F: Roof light button - press button to turn on or off the light
- G: Power button - press button to turn on or off the main power supply
- H: Steamer button - press button to turn on or off the steamer function
- I: Temperature / Timing button - press button then either "+" or "-" to adjust temperature & time
- J: Head / Side Jets button - press button to turn on or off the jets function
- K: Fan button - press button to turn on or off the fan
- L: MP3 Player - When you turn on the steam cabin, please wait 5 seconds before selecting the MP3 function. The cabin will play MP3 files from USB 2.0 Flash drive. The Files must be compressed in the range of 32kbps - 320kbps and can be stored on the main directory of the drive and not in a sub folder. It is not possible to connect an MP3 player directly.

Steam Cabin Diverter Valve Instruction

Diverter Valve Instructions



view of diverter valve from the front



view of diverter valve from the back

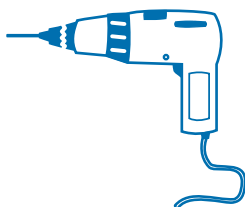
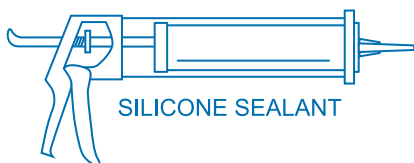
Electrical Information

Distribute electricity requirement

Rating voltage	Controlled voltage	Rating frequency	Rating power
220V AC	12V	50HZ	3KW

BEFORE YOU START!

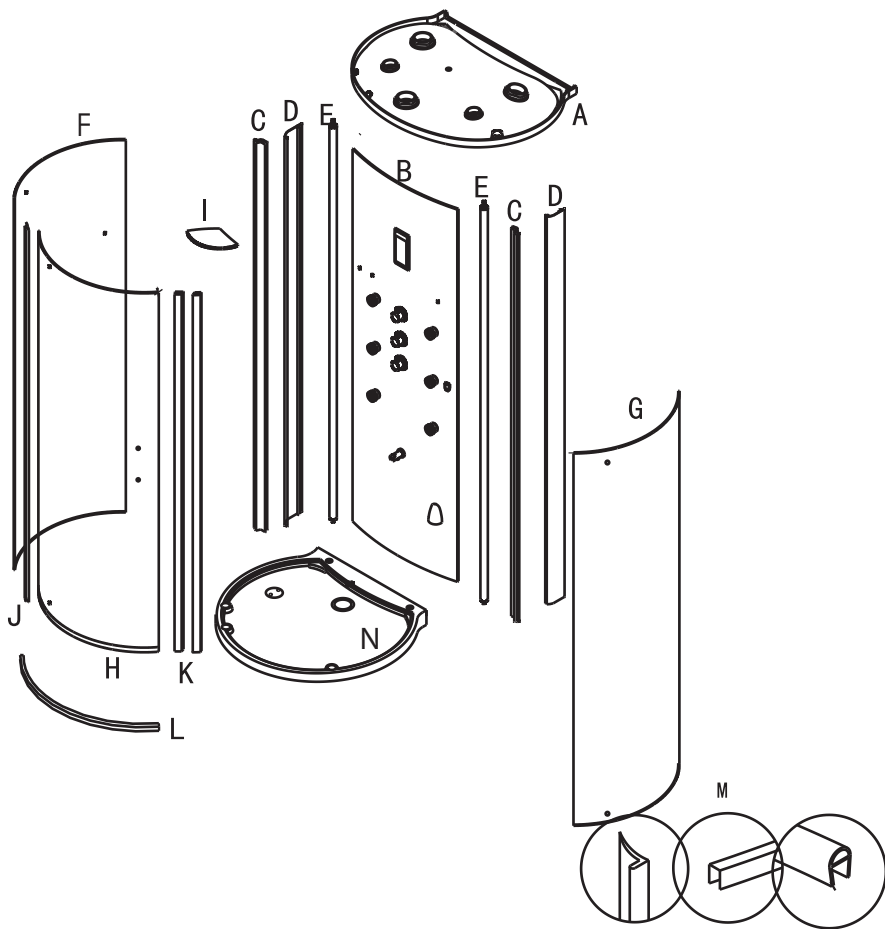
1. Check the contents of packages against parts listing to ensure that all parts are present.
2. Have the correct tools available as specified.



0870 241 6131

LINES OPEN: 8.30am - 5.00pm MONDAY - FRIDAY
STANDARD NATIONAL CALL CHARGE RATE
FROM BT LANDLINES

Steam Cabin Components



Main parts:

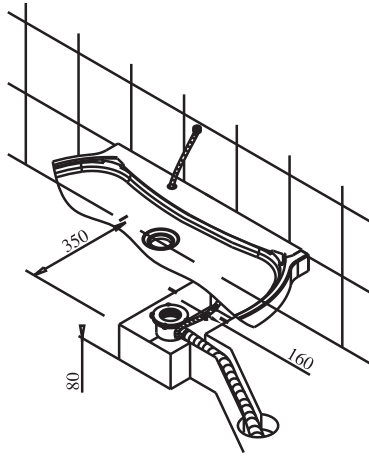
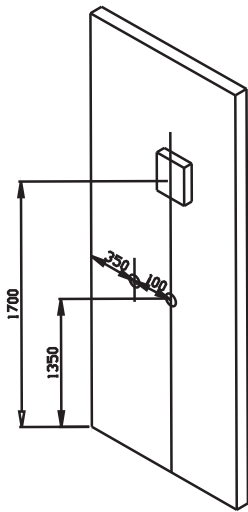
Code	Description	Qty
A	Top cover	1
B	Back panel	1
C	Connecting aluminium	2
D	Side column	2
E	Column for back panel	2
F	Left fixed glass door	1
G	Right fixed glass door	1
H	Moveable glass door	1
I	shelf	1
J	Side waterproof rubber strip	1
K	Magnetic strip	2
L	Bottom water proof rubber strip	1
M	Rubber strip	
N	Shower tray	1

Other accessories:

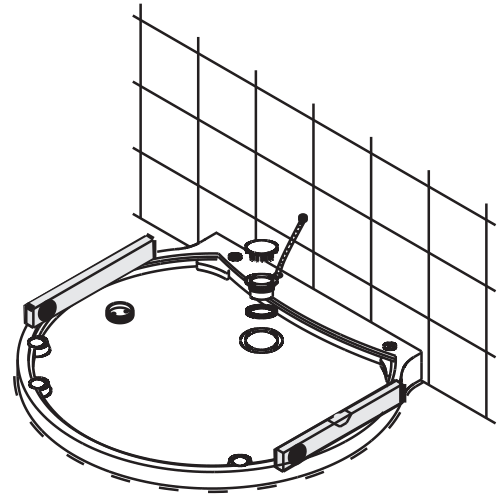
Code	Description	Sketch	Qty	Code	Description	Sketch	Qty	Code	Description	Sketch	Qty
1	Handle		1	8	Silicon rubber tray		2	15	M6*12 Hexangular bolt		2
2	Hinge of column		4	9	black rubber tray		2	16	M6 Nut		2
3	Door hinge(up)		1	10	screw 4.2*30		4	17	M6*40 Hexangular bolt		2
4	Door hinge(down)		1	11	Fixed block of column		2	18	M6 Washer		3
5	Connector of shelf		1	12	M10 nut		2	19	Plastic part for bottom water proof		1
6	Outside threaded connector		2	13	M6*12 Hexangular bolt		3	20	Bottom water proof rubber block		1
7	7010 Syphon		1	14	M6*20 Hexangular bolt		2	21	5MM/2.5MM: Hexangular spanner		1/1

1. Installation of the tray.

- Floor must be perfectly level before tray installation.
- Clearance for the waste must be made in the floor to allow the cabin to be pulled clear of the wall for maintenance access.



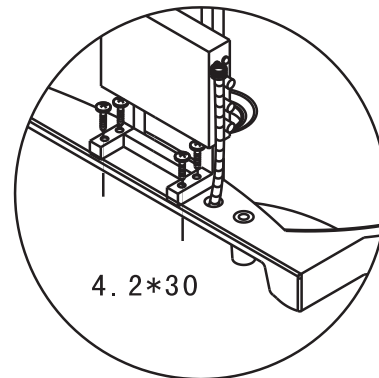
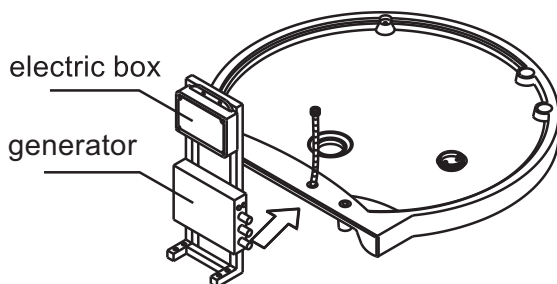
drawing A



drawing B

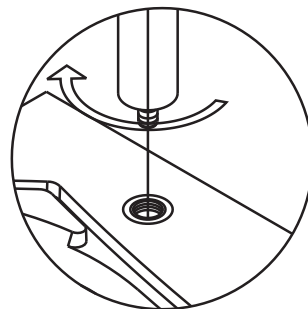
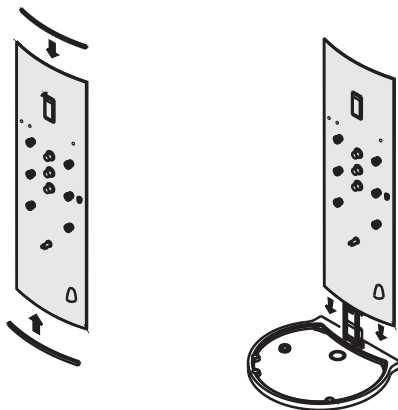
2. Install electric box & generator.

- Locate rack onto tray.
- Lock tightly with screw 4. 2x30 as below.



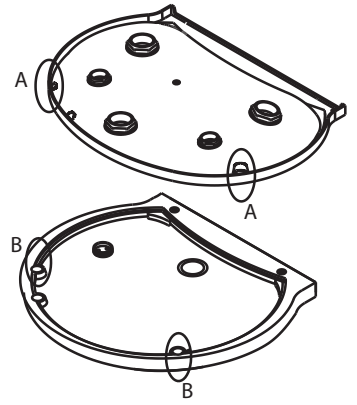
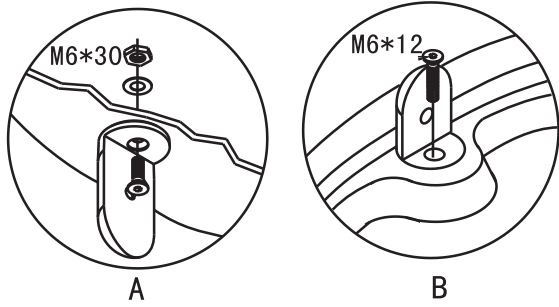
3. Install the back panel.

- Locate gasket onto top and bottom of back panel. Lift back panel and locate on the shower tray.
- Connect the steam hose to the steam generator and steam outlet. Link the steam panel generator drain outlet with the waste, connect the water inlet of the steam generator. Fix the hot and cold water inlet to the cabin.
- Referring to the drawings insert the poles into the holes in the shower tray. Ensure that the larger threaded stud is at the top

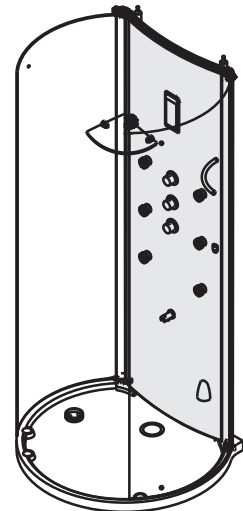
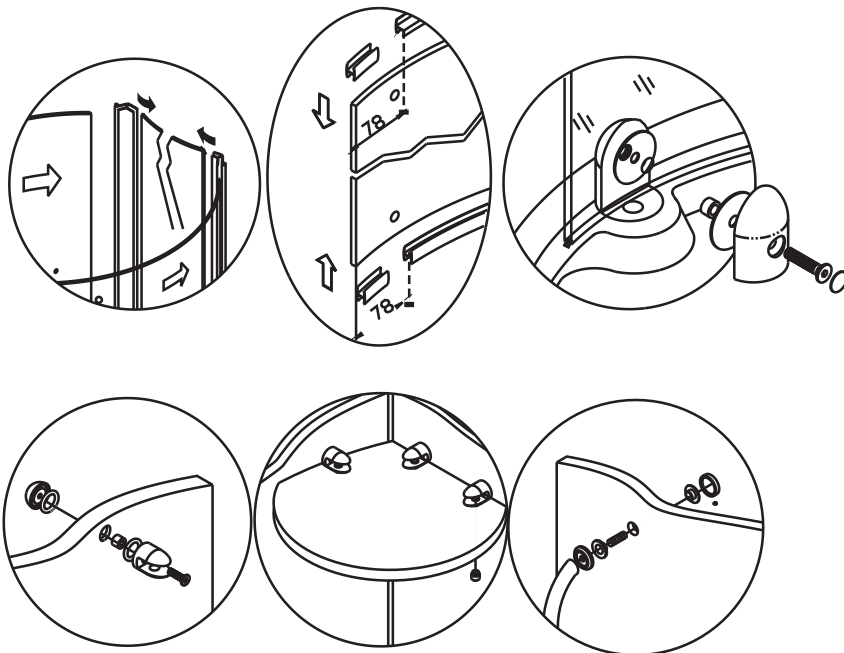


4. Install side glass panels.

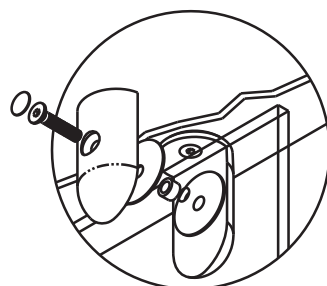
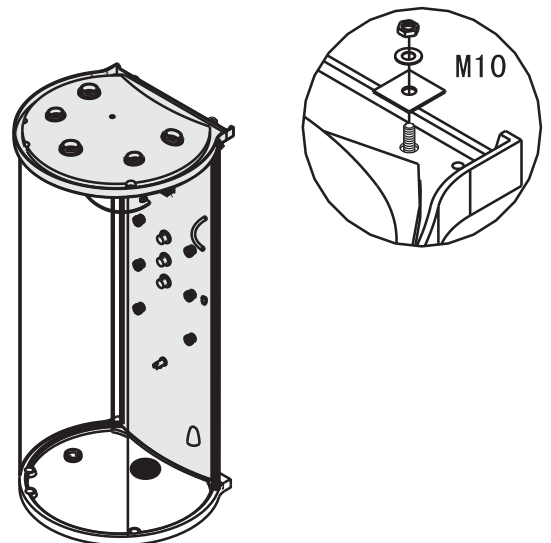
- a. Lock hinge of column on the shower tray & top cover tightly, then use M6 bolt, washer and M6 nut as shown.



- b. Refer to the drawing, put connecting aluminium onto the sides of the back panel.
Note that it must be supported before fix. Insert the waterproof strip onto the top and bottom of the right glass panel. Apply gasket to the inside joint of the glass and aluminium. Repeat for the left glass panel.
- c. Refer to the drawing, fix the shelf on the left glass panel and back panel, then lock the bar on the back panel and right glass panel

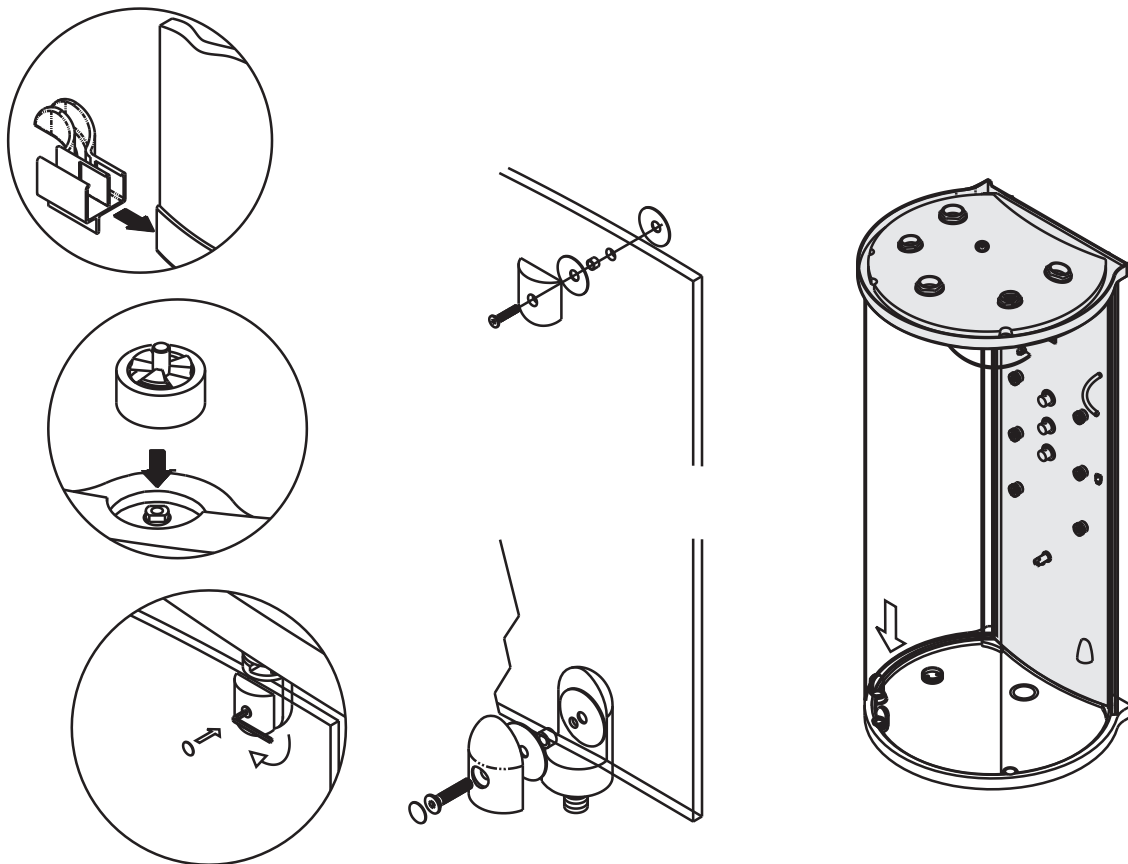


- d. Put the top cover on the top of the cabin carefully, ensuring that the pole studs line up. Fix the top cover and back panel tightly as shown.
- e. Lock upper location of the fixed glass panel tightly.
- f. Insert the connecting aluminium profile of front glass into the left fixed glass to connect the front glass. Then lock the hinge



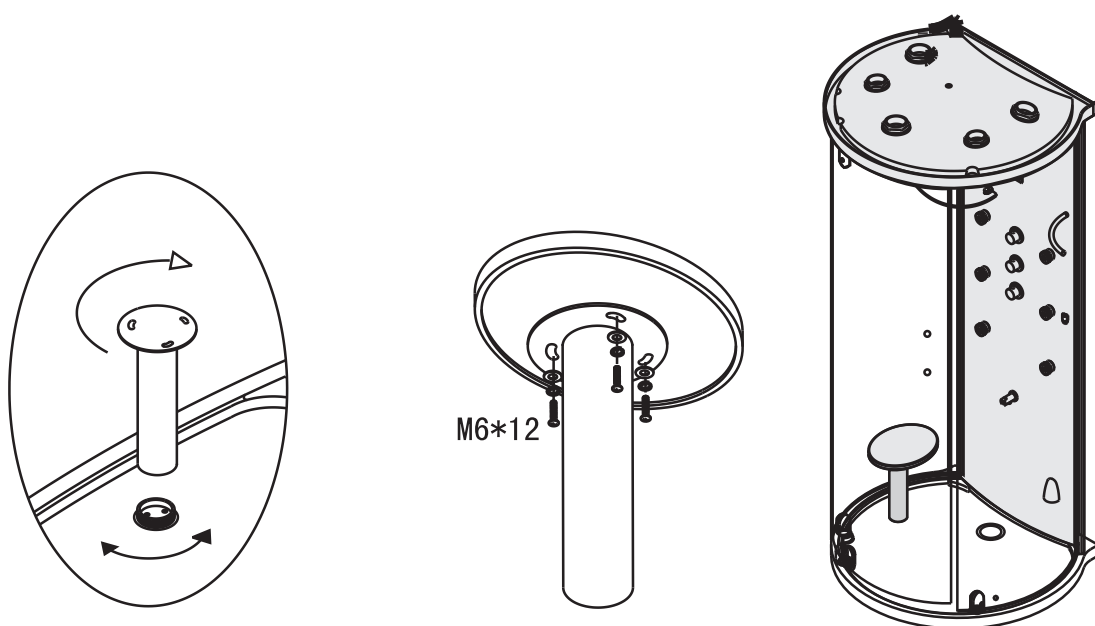
5. Install the glass door.

- a. Insert the bottom hinge of glass door into the hole in the shower tray, then fix it. Lock the upper hinge seat through the top cover with screw. Insert the fixing block of the upper hinge into the hole.
- b. Lift the door glass, then insert the upper hinge into the seat to lock the upper hinge.
- c. Install the glass connector onto the upper hole then lift the moveable glass to insert it into the upper hinge and the lift door connector separately.



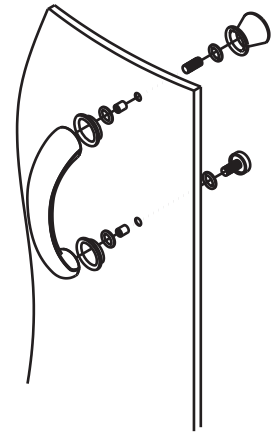
6. Install seat.

- a. Refer to the drawing to attach seat post & top onto the tray. Lock seat top with screws.

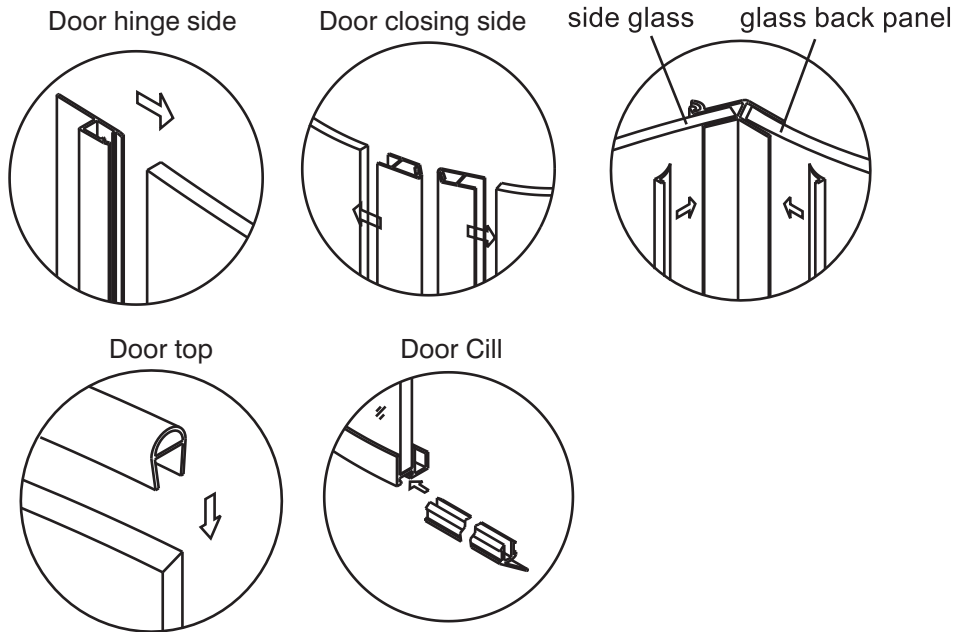


7. Install handle.

a. Install handle on door, check operation. Adjust if necessary.



8. Install seals.



9. Confirm installation is complete and door operation is satisfactory.

10. Water connections.

a. Connect the head shower & head shower hose.

b. Switch on water supply and check for leaks before pushing cabin back against wall. Switch on electricity supply.

11. Fix trim strips as shown to conceal cabin rear.

