



## **Installation Instructions** Amazon Stream Cabinet

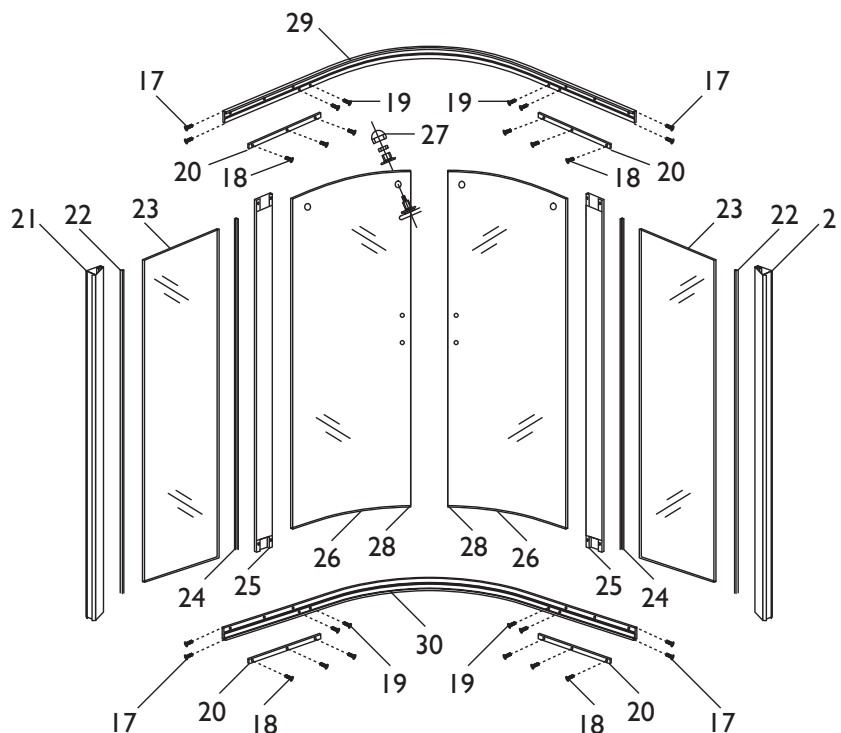
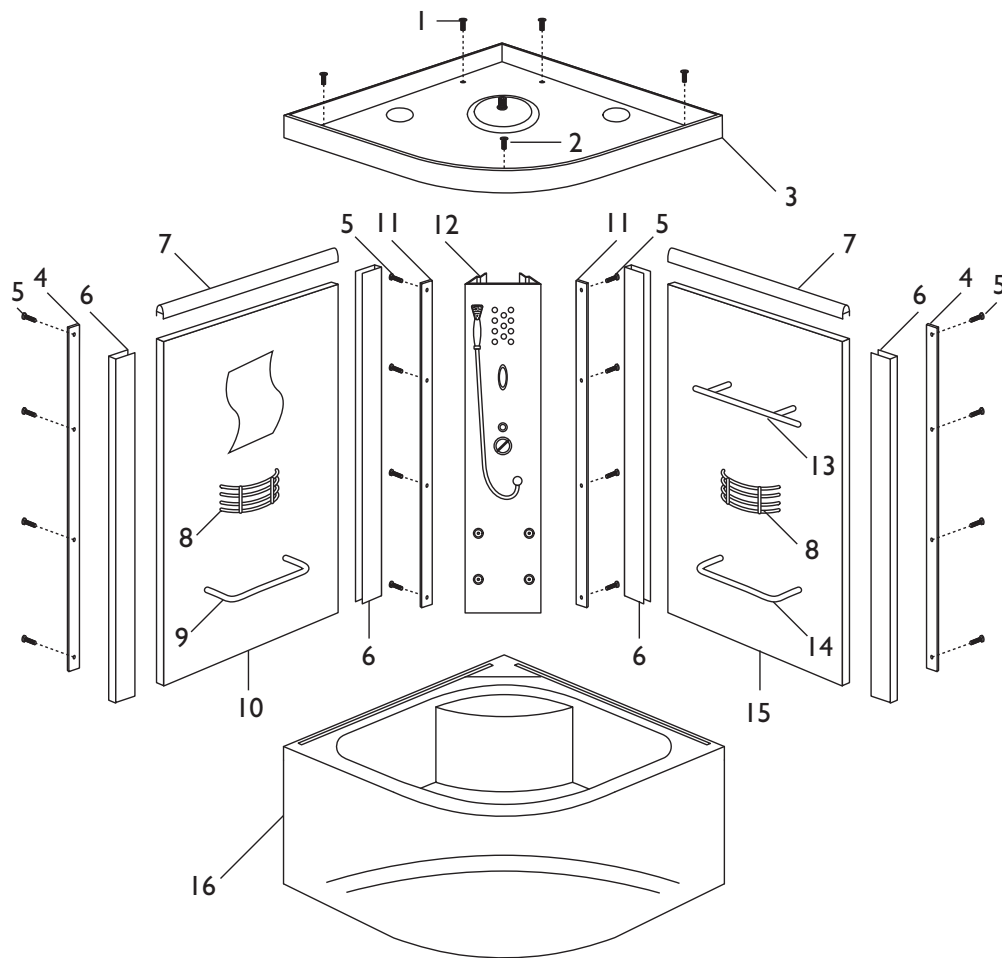
(tc)

traditional contemporary  
bathrooms

# Installation Instructions Amazon Stream Cabinet

## Parts

1	M6X30	x2
2	ST3.5x16	x3
3	Top Cover	x1
4	Side Column Strip	x2
5	ST4X20	x20
6	Shockproof Rubber Strip	x4
7	Leakproof Rubber Strip	x4
8	Shelf	x2
9	Left Handrail	x1
10	Side Panels	x1
11	Back Panel Strip	x2
12	The Back Panel	x1
13	Towel Rack	x1
14	Right Handrail	x1
15	Right Side Glass	x1
16	Tub	x1
17	ST3.5X30	x8
18	ST4X10	x12
19	ST4X20	x4
20	The Pressed Strip	x4
21	Side Column	x2
22	Rubber Strip	x2
23	Fixed Bent Glass	x2
24	Rubber Strip	x2
25	Upright Column	x2
26	Moveable Bent Glass	x2
27	Pulley Fittings	x8
28	Magnetic Column Fittings	x2
29	Upper Guide Rail	x1
30	Lower Guide Rail	x1



Warning: In order to make sure the safety, a disconnecting device must be installed in the fixed line while connecting conductors.

## Electrical Equipment Parameter

Rated Voltage	220V AC
Rated Output	50Hz
Function of Steam Generator	2. 8Kw
Control-Circuit Voltage	12V

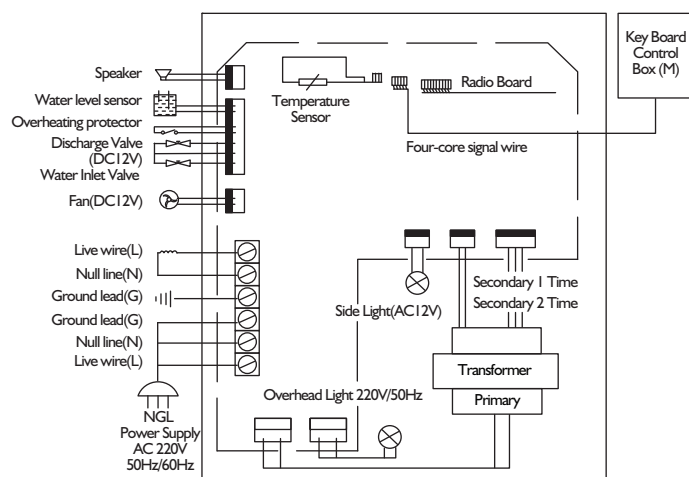
## Electrical Parameter I28C Controller

Rated Voltage	AC220V
Rated Frequency	50Hz/60Hz
Circuit Power	P1 < 26. 4W
Control-Circuit Voltage	P2 < 4. 4W
Controllable Current	12 < 20A
Overhead Light	AC220V
Side Light	AC12V
Fan	DC12V

## Installation of Electrical Equipment

- The power supply facilities of the house should be in accordance with the state standards, the voltage and frequency of the power supply should match the products demands. Make sure to install residual current circuit breaker; check and prove that the ground protection device is effective;
- The power line of the Steam Cabinet should be permanent wiring, the power line should be triple-core wire, the sectional area of each core shouldn't be less than 4 square millimeters (namely 3X4 mm<sup>2</sup>), when the power line passes through the wall, we should use protection bushing till the power supply connects with the plug socket;
- Connect the ground connection of the Steam Cabinet with that of the house, and prove that is effective;
- Connect the connecting terminals of the electrical control box outgoing line to the control board, overhead light, loudhailer, background light and the exhaust fan respectively.

## JG128 C Controller Connecting Plan

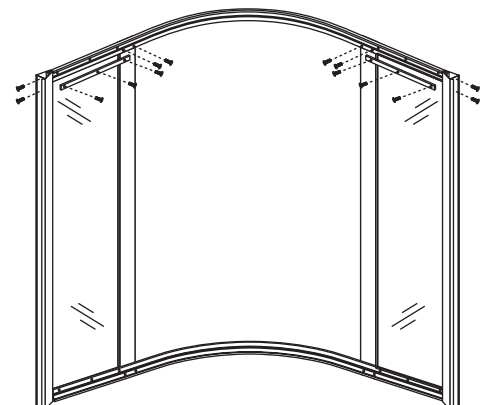
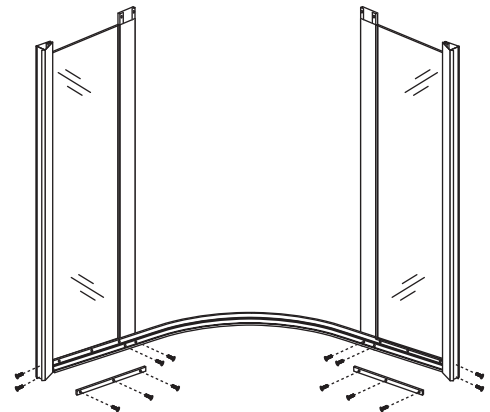
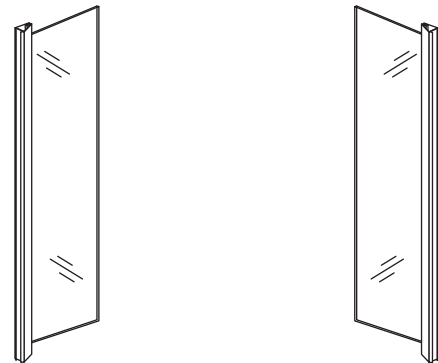
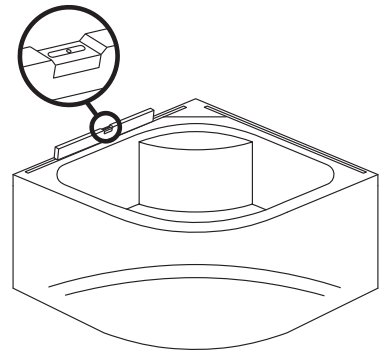


## Water Supply Installation

- The water supply pressure of this facility is 0.2-0.4Mpa;
- The characteristics of the water supply on the wall: the water supply point of cold and hot water inside the bathroom should be set in the part of the steam cabinet easily being sheltered, connect with the joints of the hot and cold water through the flexible tube. The direction of the water tube is decided by the consumer himself, no flexible tubes are available with the machine.

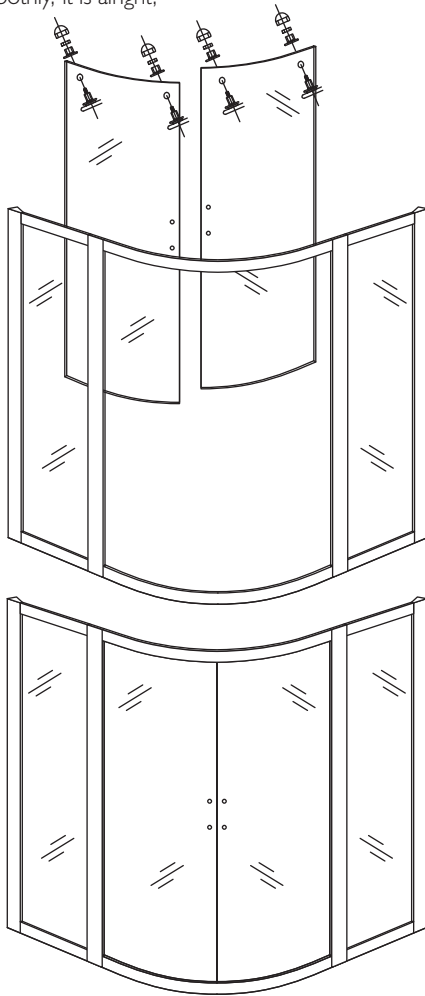
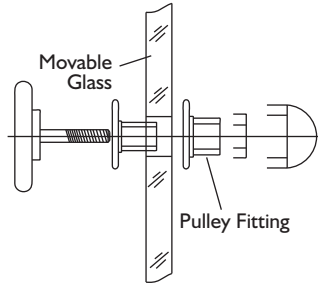
## Installation Instructions

- Balance the base, adjust the foot screws of the base and make it in the level position.
- The installation of the glass door: Do as illustrations below, put the fixed glass into the upper and lower guide rails, use STX4X10 screws to make the pressed strip hold down the glass, and then use ST3.5X25 screws to pass through the reserved holes of the side columns and fix the two side columns in the upper and lower guide rails;

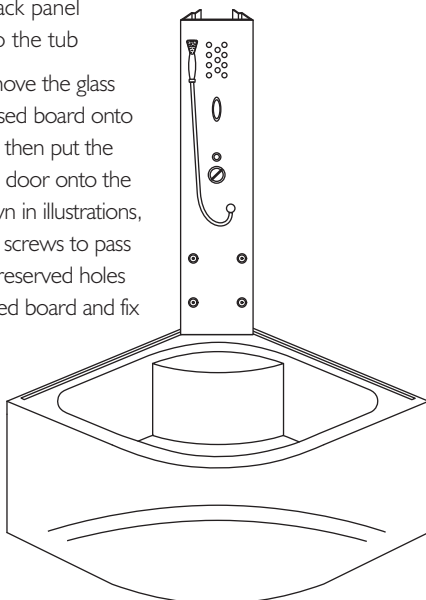


# Installation Instructions Amazon Stream Cabinet

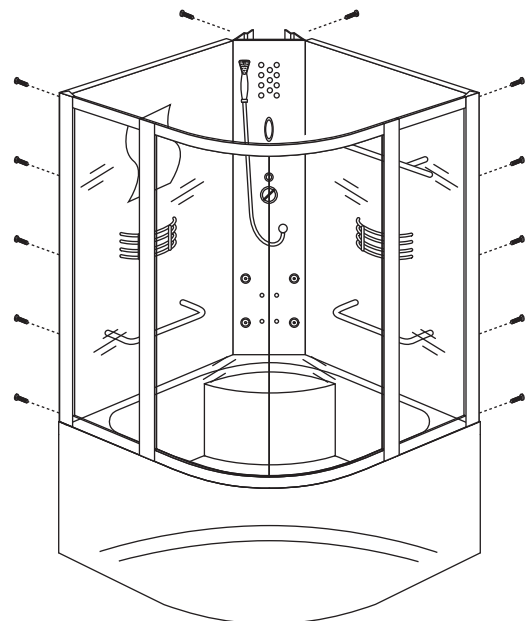
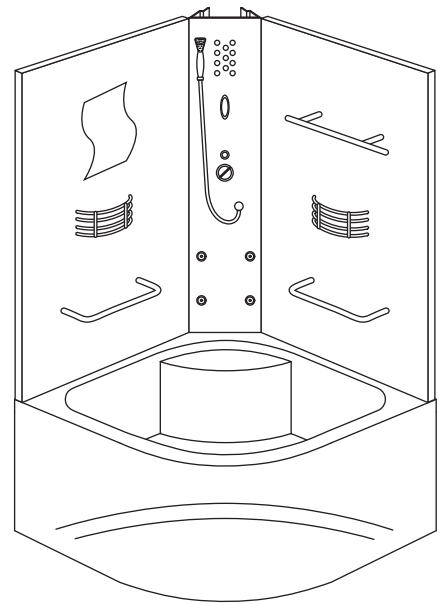
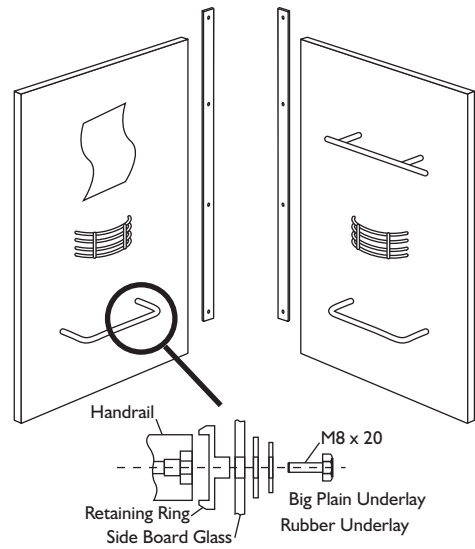
- The installation of the movable door, please see pictures below, first to install the upper pulley in the upper part of the movable door, hang the movable door on the slot of the upper guide rail aslant, and then put the lower pulley into the slot of the guide rail and install it, if the movable door doesn't block and can be operated smoothly, it is alright;



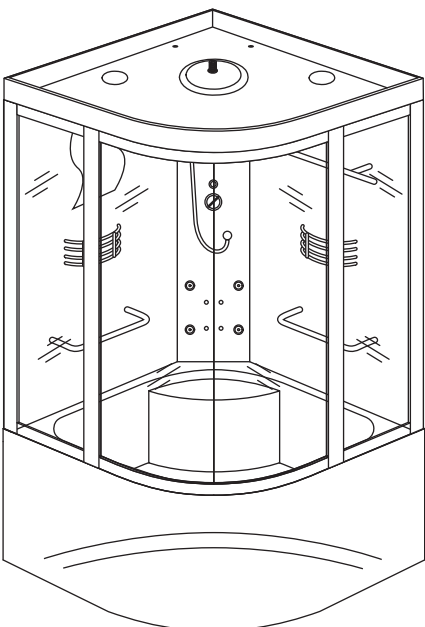
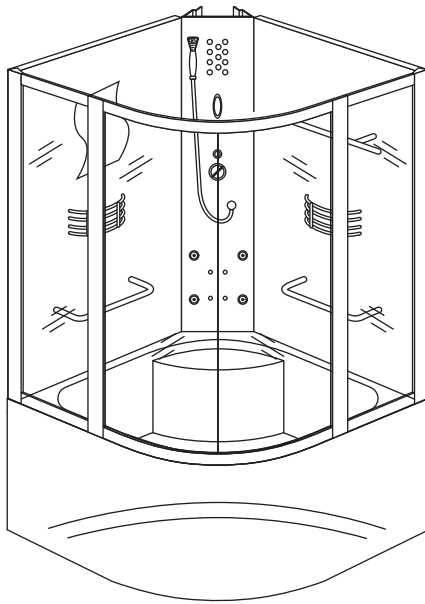
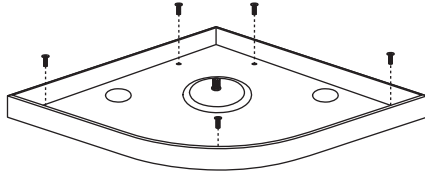
- Move the back panel column onto the tub
- As shown, move the glass and the pressed board onto the base and then put the installed glass door onto the base as shown in illustrations, use ST4X20 screws to pass through the reserved holes on the pressed board and fix



them on the back panel column and the side column of the glass door respectively, and fic the side and back glasses firmly;



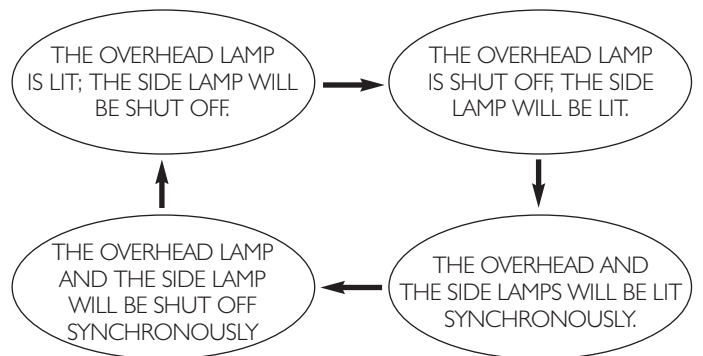
- The installation of the top cover, please see picture 12, move the top cover onto the top of the cabinet, use ST3.5X16 screws to fix the top cover on the guide rail of the glass door; use M6X30 screws to fix the top cover on the back panel column;



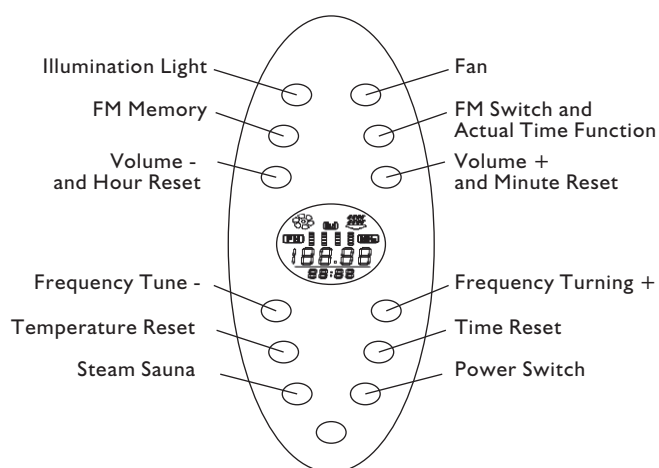
- Connect the cold and hot water pipes to the cold and hot joints respectively according to left hot and right cold.
- Connect the wires of the back light well, and examine whether the earth wire is ok or not, then turn on the power to enjoy the shower after assuring that everything is alright.

### Control Panel Operation Instructions:

- When any function keys operate, the buzzer will ring.
- Power Switch Key
  - Press this key, the controller will start, LCD background light will be lit, LCD will show the indoor temperature and the actual time.
- Fan Key
  - Press the Fan key to turn on the fan, the LCD will show the turning fan icon; after pressing the key, the fan will be turned off, the fan icon shown on the LCD will disappear.
- Illumination Lamp Key
  - The illumination lamp is formed with the overhead lamp and the side lamp. When pressing the power switch key, the overhead lamp will be lit, the side lamp will be shut off; press the illumination lamp function key, the overhead will be shut off, the side lamp will be turned on; press the key again, the overhead and side lamps will be turned on; press the key again, the overhead and the side lamps will be shut off synchronously. It circles as follows:



- Steam Sauna Function Key
  - Press Steam key, LCD will show the flashing steam sign, and the water inlet valve will be opened, and the water will go inside the water tank automatically.
  - If the water position sensor estimates that the water position is natural, the system will close the water inlet valve, the steam function will be started, the controller will control the inner temperature of the steam cabinet automatically according to the inside default (the inner acquiescent temperature is 50, the acquiescent time is 10 minutes); If lacking of water, the water will supply automatically. The system will work as follows: If the inside temperature is one centigrade higher than the acquiescent temperature, the steam generator will stop heating; If the inside temperature is one centigrade lower than the acquiescent temperature, the steam generator will heat up again;
  - When resetting the temperature and the time, the controller will control the inside temperature of the steam cabinet according to the set point.
  - The system will work as follows: If the inside temperature is one centigrade higher than the set temperature, the steam generator will stop heating; If the inside temperature is one centigrade lower than the acquiescent temperature, the steam generator will heat up again.
  - If press the Steam key again, the steam function will be stopped, the steam sign displayed in the LCD will disappear.



- **Temperature Reset**
  - Press the Temperature, the LCD will show the present inside temperature of the steam cabinet in radio frequency, if press this key each time, the temperature will rise one centigrade; when the temperature rises to 60, press the key again, the temperature will circulate to return to 25; if press the key beyond 3 seconds, the temperature will rise at the speed of 1 /1snd; if the key doesn't make response within 2 seconds, the temperature is the set temperature.
  - The Temperature Set Scope: 25°C-60°C
- **Time Reset Key**
  - Press the Time Key, the LCD will show the rest time in the radio frequency, press this key each time, the time will rise 5 minutes; when the time rises to 60 minutes, press this key again, the time will circulate to return to 10 minutes; if press the key beyond 3 seconds, this time will rise at the speed of 5 minutes/ 1 snd; if this key doesn't work within 2 seconds, the time is the set time.  
Time Set Scope: 10-60 minutes.
  - Drain off water automatically
  - When press the power switch to turn off the controller, the water tank valve will be opened to drain off water 2 minutes automatically after 2 hours(the main power is not turned off).
  - If pull off the main power plug, the water drainage valve will not be opened, the water tank drainage valve will be opened again to drain off water 2 minutes automatically only after the main power is turned on.
- **FM Digital Tune System**
  - This system may receive FM broadcast programs, the receiving frequency scope is 87.5MHz-108.0MHz, there is a built-in power amplification system less than 20w.
- **FM/T Key**
  - When press the key, the system will enter FM receiving state, the broadcasting radio frequency is the radio frequency turned off last time, after pressing the key again, the system will turn off the FM broadcast.
  - If there is no operation of the power switch, FM broadcast may be turned on or turned off solely
- **Tune + Frequency Key**
  - When you press the key, it will increase the tune frequency of one step size (1 step size = 50 KHz), if press this key beyond 2 minutes, the system will search for FM radio station upwards automatically, the digital lock will lock the searched FM radio automatically, LCD will display the radio frequency; when the upper limit frequency is 108,0MHz, press this key again, the frequency will jump to 87.5MHz.

- **Tune Frequency Key**
  - When you press the key, it will reduce the tune frequency of one step size (1 step size = 50 KHz), if you press this key beyond 2 minutes, the system will search for FM radio station downwards automatically, the digital lock will lock the searched FM radio station automatically, LCD will display the radio frequency; when the lower limit frequency is 87.5MHz, press this key again, the frequency will jump to 108.0MHz.
- **Volume Plus Volume + Key**
  - The digital volume of the radio system can be adjusted through the volume Plus and minus keys, the adjusting degree is 40 degrees, each degree is 2dB, the volume adjustment is 0-80dB. During the process of adjustment, the LCD will twinkle and display the volume numerical value in the frequency display position, and the final adjusted numerical value is the set value, after 2 seconds, the LCD will display the radio frequency before adjustment again.
  - When the key is pressed each time, the volume will increase 2dB upwards, if pressing the key beyond 2 seconds, the volume will increase at the speed of 10 dB/second upwards.
- **Volume Reduce Volume Key**
  - When the key is pressed each time, the volume will reduce 2dB downwards, if pressing the key beyond 2 seconds, the volume will reduce at the speed of 10 dB/second downwards.
- **Broadcasting Station Memory Key MEM (8 Memory Positions available)**
  - Broadcasting Station Memory: When you select the broadcasting station frequency you want to store, 2 seconds after pressing the MEM key, the frequency displayed on the LCD will twinkle, press the key at that time, choose the position to be stored, and then press the MEM key for 2 seconds again, the broadcasting station frequency will be stored in the selected memory position.
  - Load of Broadcasting Station: When press the MEM Key, you can get the stored corresponding broadcasting stations, meanwhile the LCD will display the relevant position number and the broadcasting station frequency.
- **Actual Time Function**
  - Hour Reset: When you press the FM/T key for two seconds, the LCD will twinkle to display the actual time, at the moment, when you press the VOL-/H key, the hour can be reset, the adjustment range is 0-24, when you adjust to 24, continue to press this key again, you can adjust from 0 again; when you press FM/T for 2 seconds, or you don't press the VOL+/H key within 2 seconds, the final twinkling numerical value is the hour enactment value.
  - Minute Reset: When you press FM/T key for 2 seconds, the LCD will twinkle to display the actual time, at the moment, when you press VOL+/H key, you can adjust the minute, the adjustment range is 0-60, when you adjust to 60 and continue to adjust the key, you can repeat to adjust from 0 again; When you press the FM/T key for 2 seconds or you don't press the VOL+/H key within 2 seconds, the final twinkling numerical value is the minute enactment value.

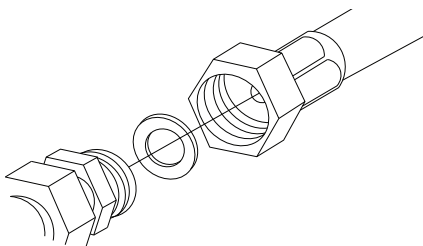
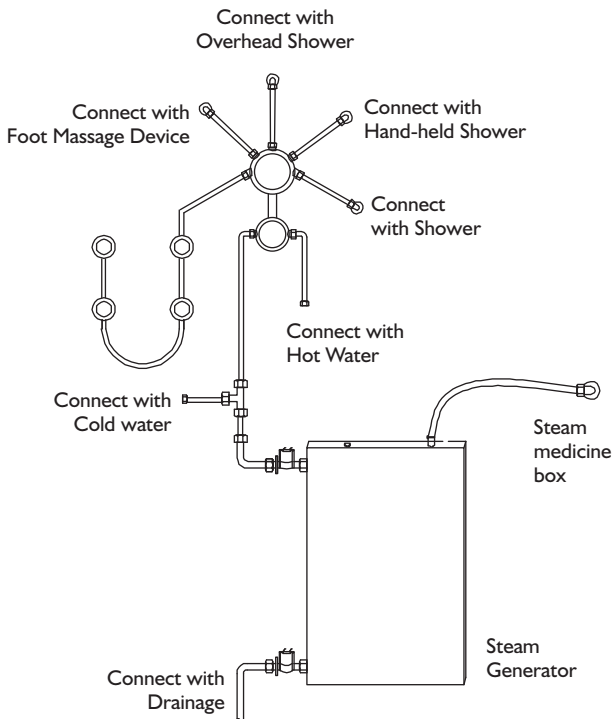
## Error Intellectual Self Check Alarm Automatically

- There are 4 built-in intellectual errors self check functions.
- The definition of the error is as follows:
  - Temperature sensor error: when the temperature sensor has a break or a short circuit, the LCD will show E1 with the alarm noise of the buzzer, meanwhile all the keys of the controller don't work.

This time you must cut off the power, the system will work again after the error is resolved.

- Water level check error: When you use the steam function, the water level check function doesn't work, if the water level is below the check water level, no water goes into, the floater doesn't work, and the error happens with the water level check circuit, the LCD will show E2 with the alarm noise of the buzzer, the steam generator will stop heating. At this time, the system will work again after the error is resolved.
- Water level check overtime error: When the water level check error E2 gives an alarm over 2 minutes and the power wasn't cut off, and the error was not resolved, the LCD will show E3 with the alarm noise of the buzzer, at this time, the power supply must be cut off; the system will work again after the error is resolved.
- System temperature too high error: When the water level check function doesn't work, and there is no water in the steam generator, the steam generator continue to heat and make the inner temperature too high, at this time, if the temperature 108, the LCD will show E5 with the alarm noise of the buzzer, the steam generator will stop heating. At this time, the power supply must be cut off; the system will work again after the error is resolved.

**Plumbing Diagram**



Note: All the pipe joints are attached with sealing rubber washer

**Error Solution**

Fault Phenomenon Reason Solution

Problems	Default reasons	Solutions
No Power	The plug is not in the socket.	Just insert the plug into the socket firmly.
	The protection switch breaks off.	Just find and resolve the short circuit.
No Steam	The heater of the steam generator is damaged.	Just replace it.
	No water in the steam generator.	Check the water inlet electromagnetic valve.
	There is a jam in the hose connecting steam outlet, or the hose is broken	Just clean the jam or replace the floater.
	Floater is damaged.	Just check the wires of the floater or replace the floater.
	Work time is not enough for steam.	Just wait after the water is heated to spurt steam
	The inside temperature is higher than the temperature reset.	Just wait when the inside temperature is lower than the enactment temperature, the steam function will work.
Water Goes Out From Steam Sprayer	The floater is broken.	the wires of the floater.
	The wires break off.	
	The water inlet electromagnetic valve has problems.	Check and connect the electron wires.
	Just check the floater and	Check and replace it.
No Water From Massage Jet	There is a jam in the massage jet.	Clean them.
Leakage From Hose	The sealing gasket is broken.	Replace it
	Connector is loose.	Adhibit it again.
	Hose is broken.	Replace it.
No Light	The circuit breaks off.	Just replace it
The Steam Is Not Level		Balance the screws of the bottom
Scratches On the Steam Cabinet		To polish it with tooth paste and soft cloth after soaking the 2000 type thin sand paper with water.
The Fan Doesn't Work	The circuit breaks off.	Check and replace the control connecting wires.
Dirt On the Chromium-Plating Parts		Clean with the soft cloth, forbidden to clean with rough cloth or nitric thinner. Continue

## Cleanness and Maintenance

- The daily cleanness of the steam cabinet may be done with common liquid scour and soft cloth, it is forbidden to use the scour with the acetone ammonia. It is forbidden to use the disinfectant with the formic acid and formaldehyde during the sterilizing.
- In order to make its surface bright, it can be polished by polishing compound.
- Remove the blotch with tooth paste and soft cloth.
- Remove the calcium (scale) on the surface with lemon juice, heating vinegar and the soft cloth.
- To remove the light scratch and burn by the cigarette, you can polish them with 2000 type sand cloth soaked into water, and then deal them with the polishing compound.
- After 20 times hot circulation, when you clean the steam generator, first dilute 5-10 gram citric acid with 0.5-1.7 liters warm water, and pour them into the generator through steam outlet with rubber pipe, turn on the power and press the steam key after 8-12 hours, cut off the switch key after 5 minutes heating, the system will let off the dirt automatically.

## Special Reminds:

- The installation of the steam cabinet should be conducted according to the instructions by the qualified staff.
- The power parameter should be accordance with the state standards; you must check the grounding facilities and the current leakage switch are effective.
- In order to make sure the safety, a disconnecting device must be installed in the fixed line while connecting conductors.
- The power supply and the water supply valve of the bathroom should be cut off after every shower.
- It is forbidden to use the steam function for high pressure patients, heart disease patients, diabetics and the sots.

If some relevant parameters changes, additional notice is not available. If the consumers disobey the above clauses to lead the bad results, our company won't take any responsibilities.