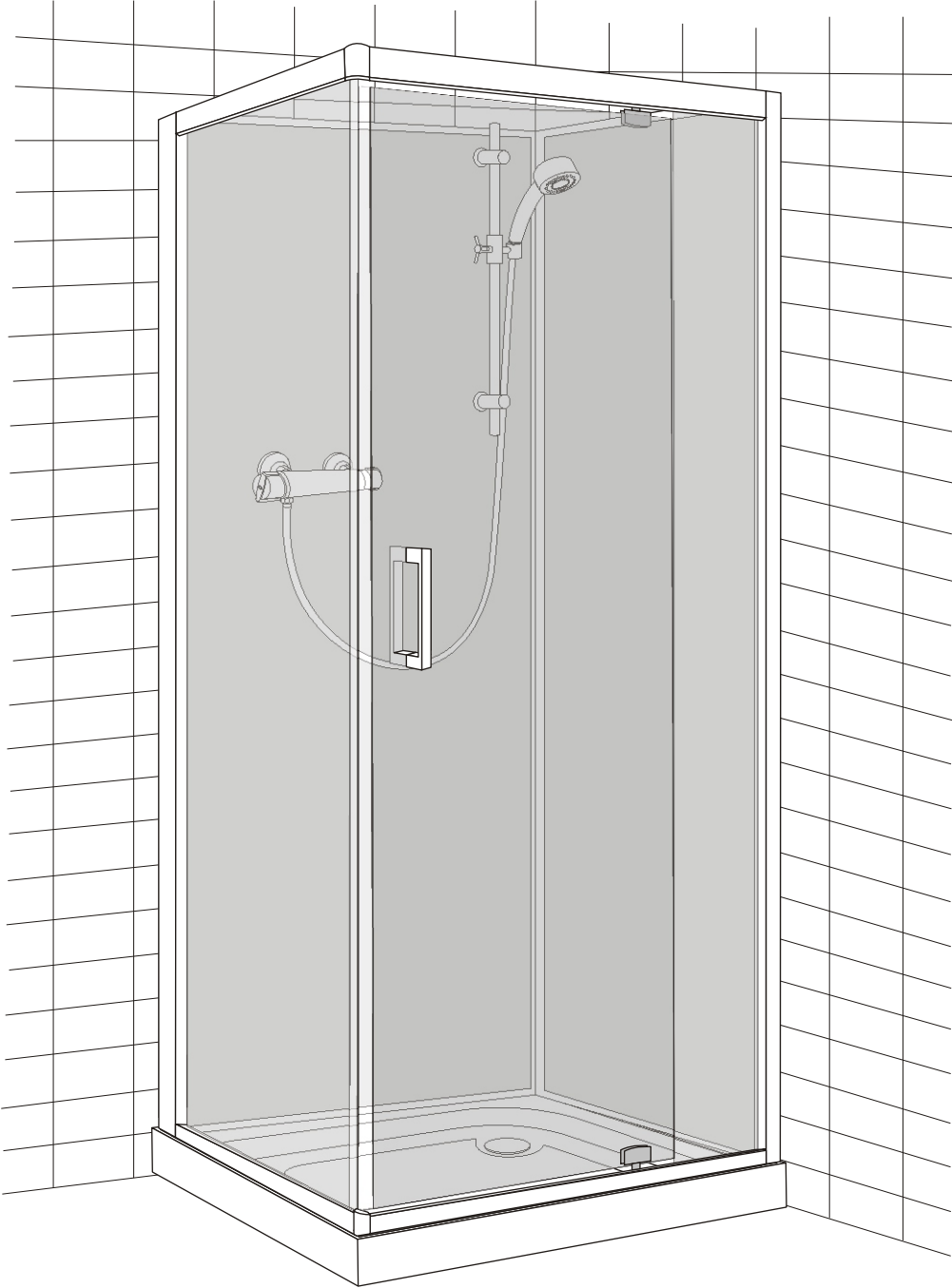
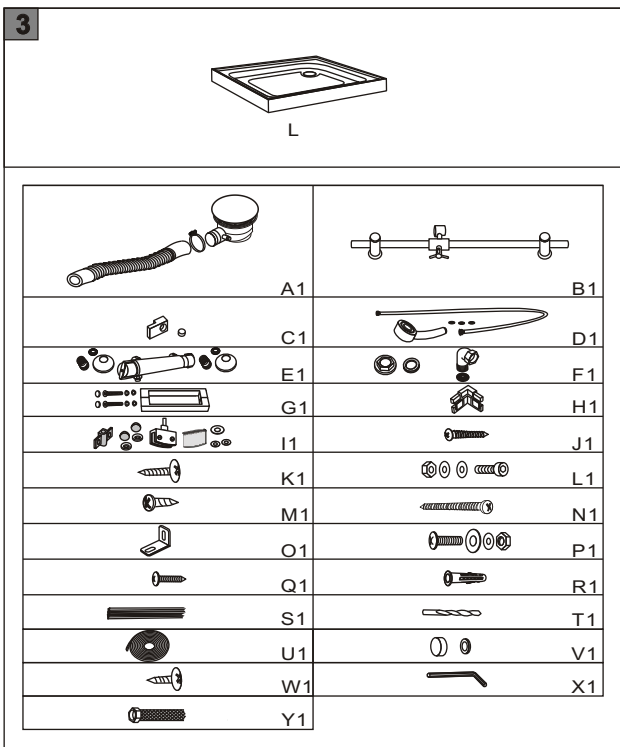
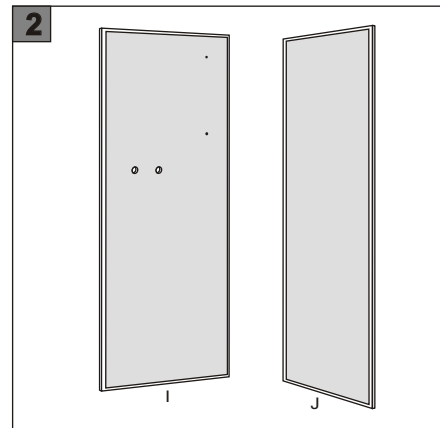
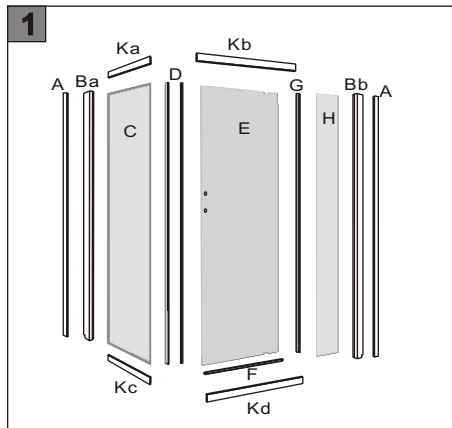


Assembly Instructions
800x800 PIVOT DOOR SHOWER ENCLOSURE



Assembly Instructions

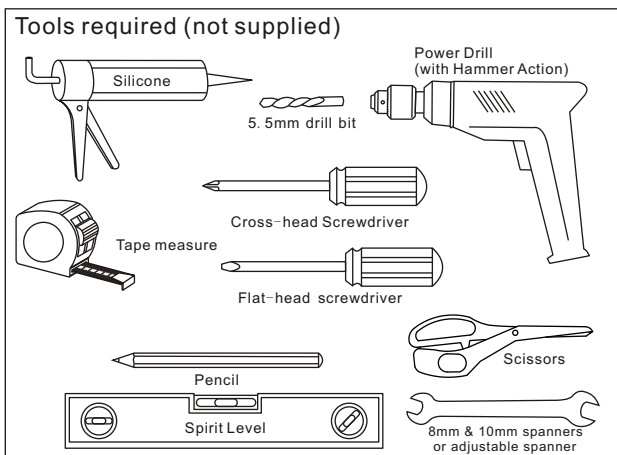
800x800 PIVOT DOOR SHOWER ENCLOSURE



1		
A	Wall profile	2
Ba	Left fixed profile	1
Bb	Right fixed profile	1
Ka	Top left side rail	1
Kb	Top right side rail	1
Kc	Bottom left side rail	1
Kd	Bottom right side rail	1
C	Left side glass panel	1
D	Magnetic seal	2
E	Pivot door	1
F	Bottom seal	1
G	Vertical seal	1
H	Right side glass panel	1

2		
I	Left hand back panel	1
J	Right hand back panel	1

3		
L	Shower tray	1
A1	Waste	1
B1	Riser rail	1
C1	Glass clamp	4
D1	Shower handset	1
E1	Mixer valve	1
F1	Elbow connectors	2
G1	Handle	1
H1	Corner connector	2
I1	Hinge	2
J1	Screw 4x25mm	4
K1	Screw 4x16mm	20
L1	Screw 4x16mm	6
M1	Screw 4x10mm	4
N1	Screw 4x55mm	8
O1	Support bracket	4
P1	Screw 4x20mm	4
Q1	Screw 4x25mm	4
R1	Wall plug	4
S1	Rubber seal 4m	1
T1	Drill bit 3mm	1
U1	Adhesive tape	1
V1	Screw cap	4
W1	Screw 4x10mm	4
X1	Hex key 3mm	1
Y1	Flexible hose	2



Assembly Instructions

800x800 PIVOT DOOR SHOWER ENCLOSURE

Before you start

•**WARNING:** Please read these instructions through carefully before you start the installation. Incorrect product installation may result in serious product failure in use. Always follow the instructions and retain them for future use.

•The enclosure is designed to allow for 10mm adjustment when fitted to "out of true walls".

•Check the pack and ensure that you have all of the parts listed above. If not, contact Customer Services at d2m@pjhgroup.com

•When you are ready to start, make sure you have the right tools to hand, plenty of space and a clean dry area for assembly.

•Two people are required for assembly. Please note that although these instructions are comprehensive, it is always recommended that a technically competent installer should undertake installation.

•Ensure that the enclosure is fitted to a smooth, level floor and vertical walls. Ideally the floor of the bathroom should be tiled before installation

•**Please note:** The wall plugs included with this product are suitable for solid walls only. Plasterboard or stud walls may require specialized fixings which are not provided. (Always ensure that the wall plugs or fittings are correct for the wall type.)

•**Caution:** Care should be taken when drilling into walls to avoid hidden pipes or electrical cables.

•When working near a tray or bath, ensure that the waste is covered so that small parts do not fall down it.

•**Caution:** Please handle all glass with care. Any damage to the edges, or scratches to the surface that occur during assembly or normal use can cause the glass to break suddenly. Tempered glass will shatter into very small pieces that will still have sharp edges.

•**Caution:** Fragile-handle the product with care. This product may cause personal injury, property damage or break easily if not handled, positioned and installed with care.

•**Caution:** Always ensure the product is securely installed before use.

•The shower enclosure can be installed with the door on either the left or right hand side. Decide which side the door is to be fitted to before you start.

•**Minimum overall height:** 2100mm

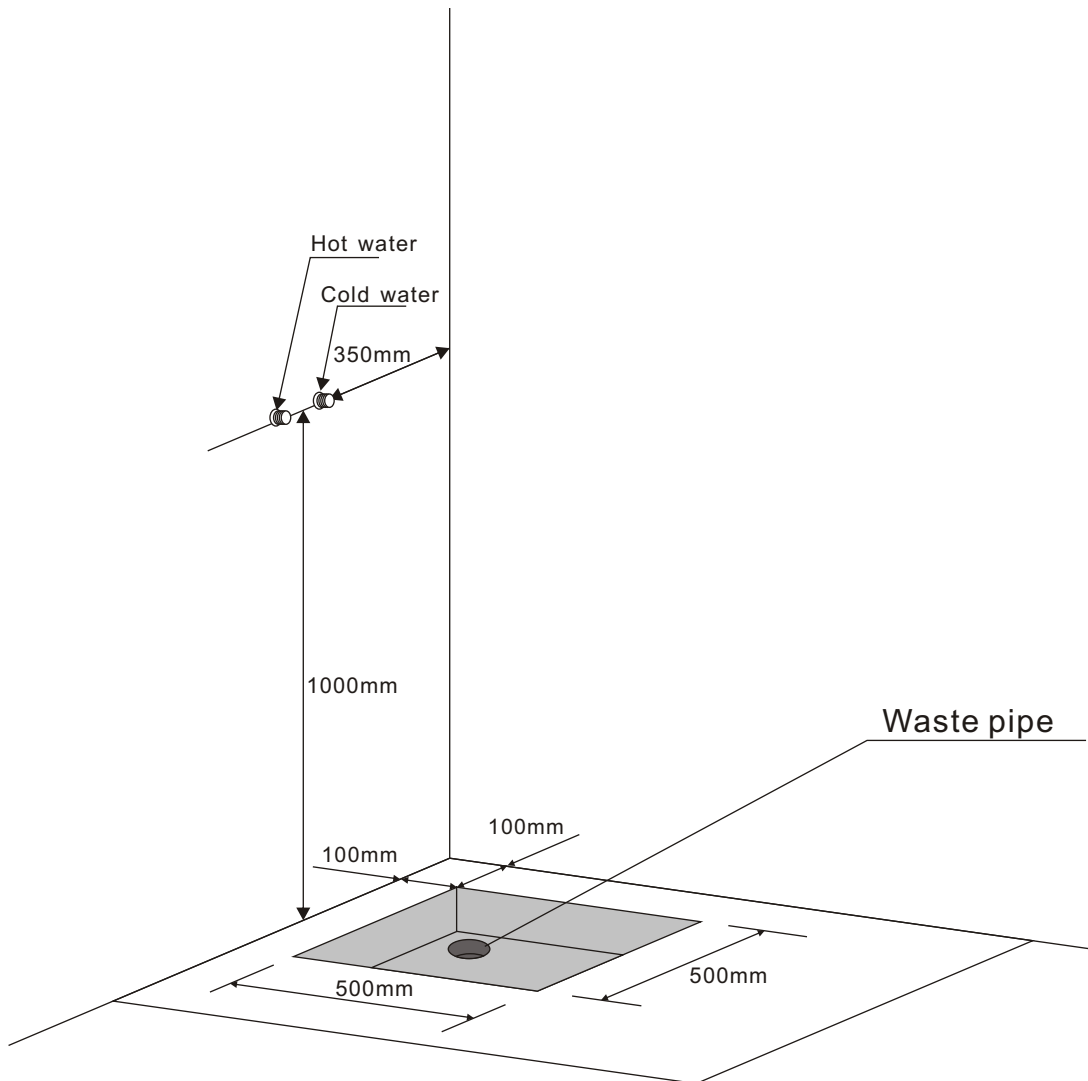
•**Operating Pressure:** Minimum working pressure 1bar. Recommended operating pressure 2bar. Maximum working pressure 5bar

•Please note: the shower head may over-run for up to 30 seconds after the valve is switched off while it clears any excess water inside

Assembly Instructions

800x800 PIVOT DOOR SHOWER ENCLOSURE

Prepare an area in the floor for the waste according to the diagram below. This will allow the enclosure to be assembled and tested before being placed into the final installation position.

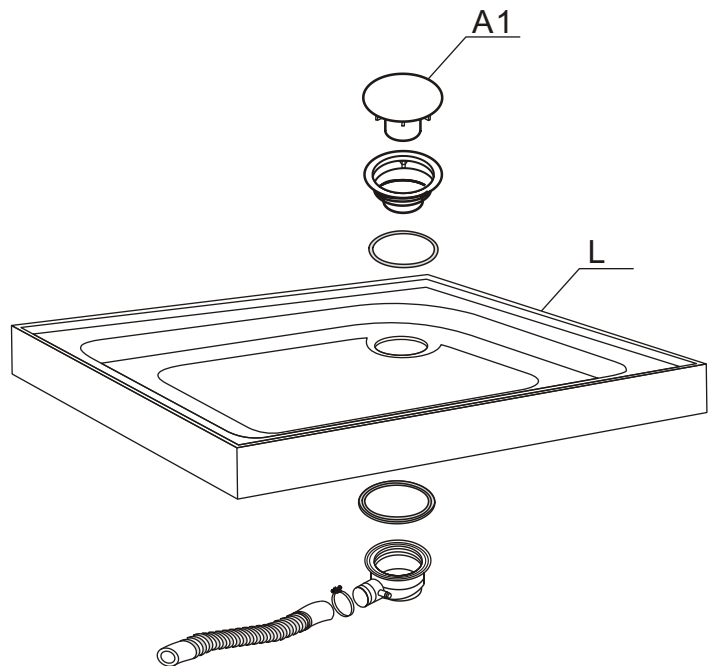


Assembly Instructions

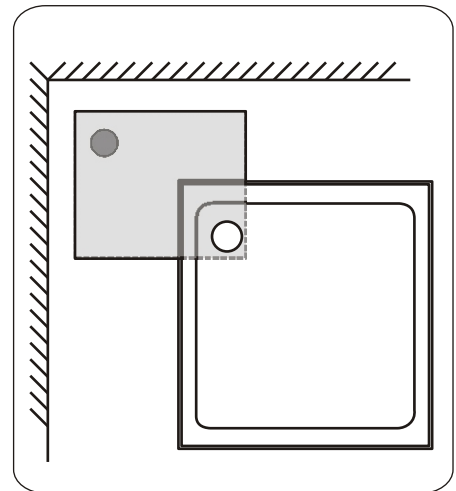
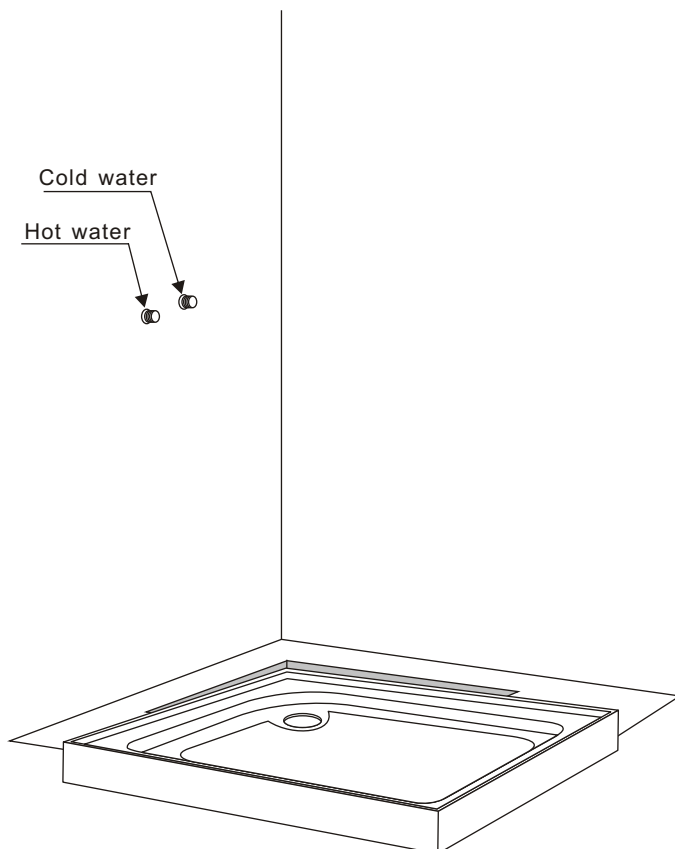
800x800 PIVOT DOOR SHOWER ENCLOSURE

Assembly

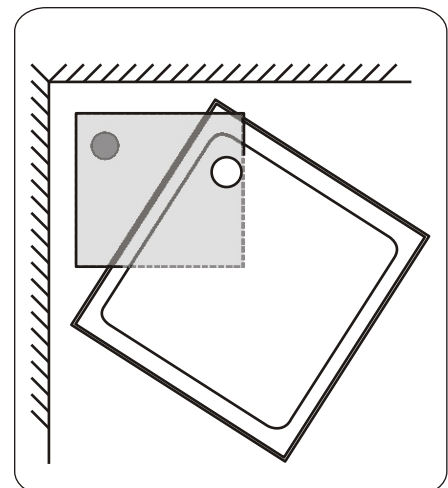
Fit the waste (A1) to the shower tray (L) as shown in the diagram



Place the shower tray (L) in position above the cut-out area in the floor
Connect the flexible waste pipe to the waste outlet in the cut-out area in the floor



Top view

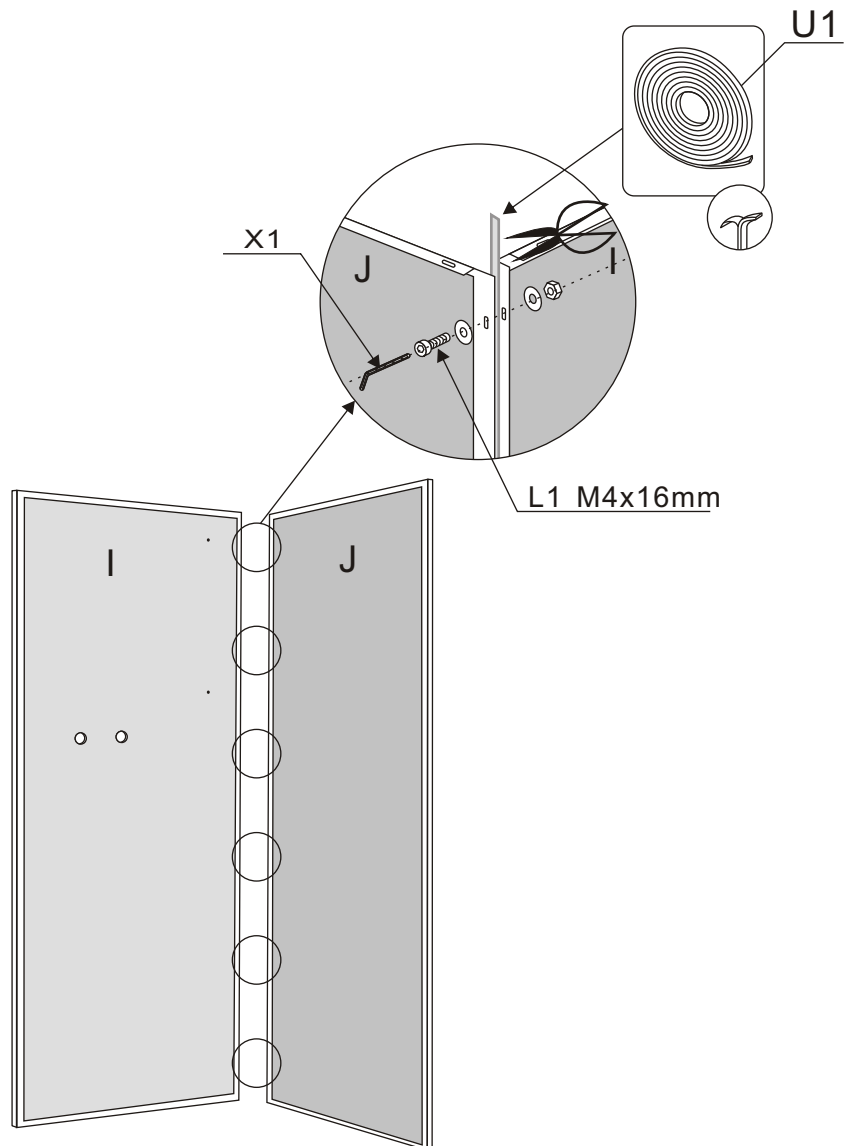


Top view

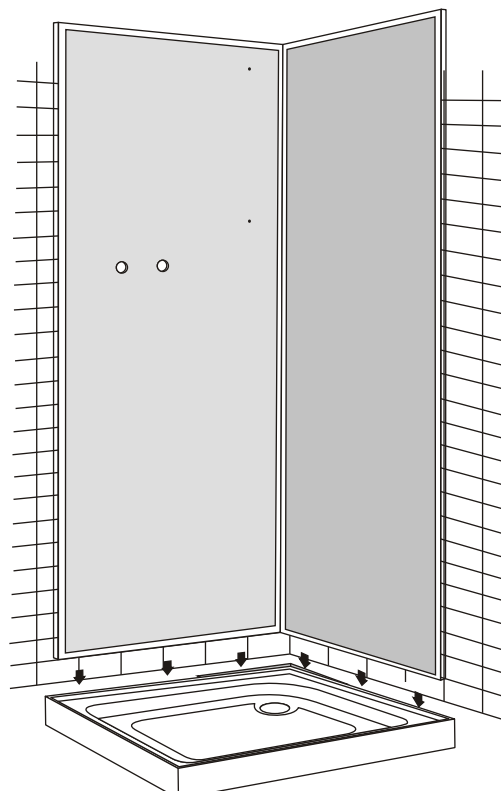
Assembly Instructions

800x800 PIVOT DOOR SHOWER ENCLOSURE

Stick the tape (U1) onto the profile of back panel (J), Ensure that the tape is stuck along the full length of the profile and does not cover the fixing holes
Connect two back panels (I & J) together using bolts (L1). Ensure that metal washers are placed either side of the profiles



Place the back panels onto the shower tray

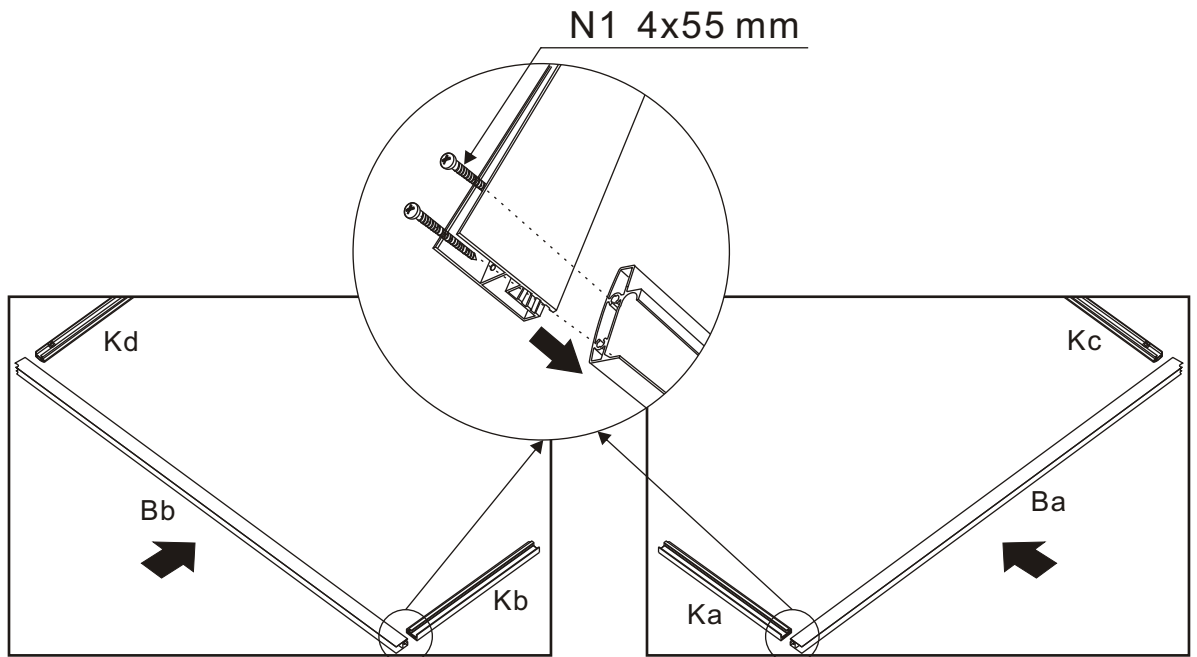
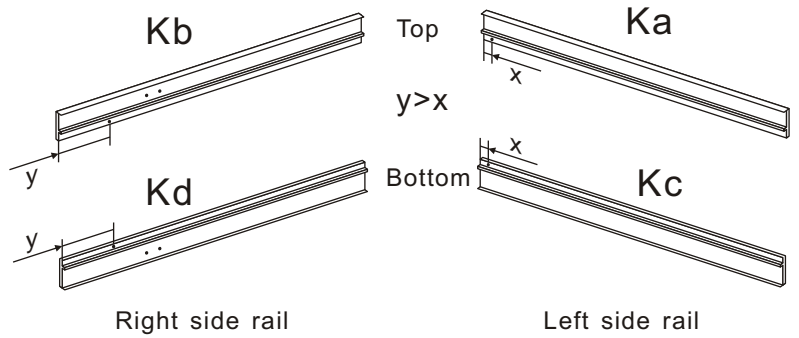


Assembly Instructions

800x800 PIVOT DOOR SHOWER ENCLOSURE

Connect the top left (Ka) and bottom left side rails (Kc) to the left profile (Ba) using screws (N1). Tighten the screws by hand only

Connect the top left (Kb) and bottom left side rails (Kd) to the left profile (Bb) using screws (N1). Tighten the screws by hand only



Connect the left and right profiles using corner connector (H1) as illustrated.

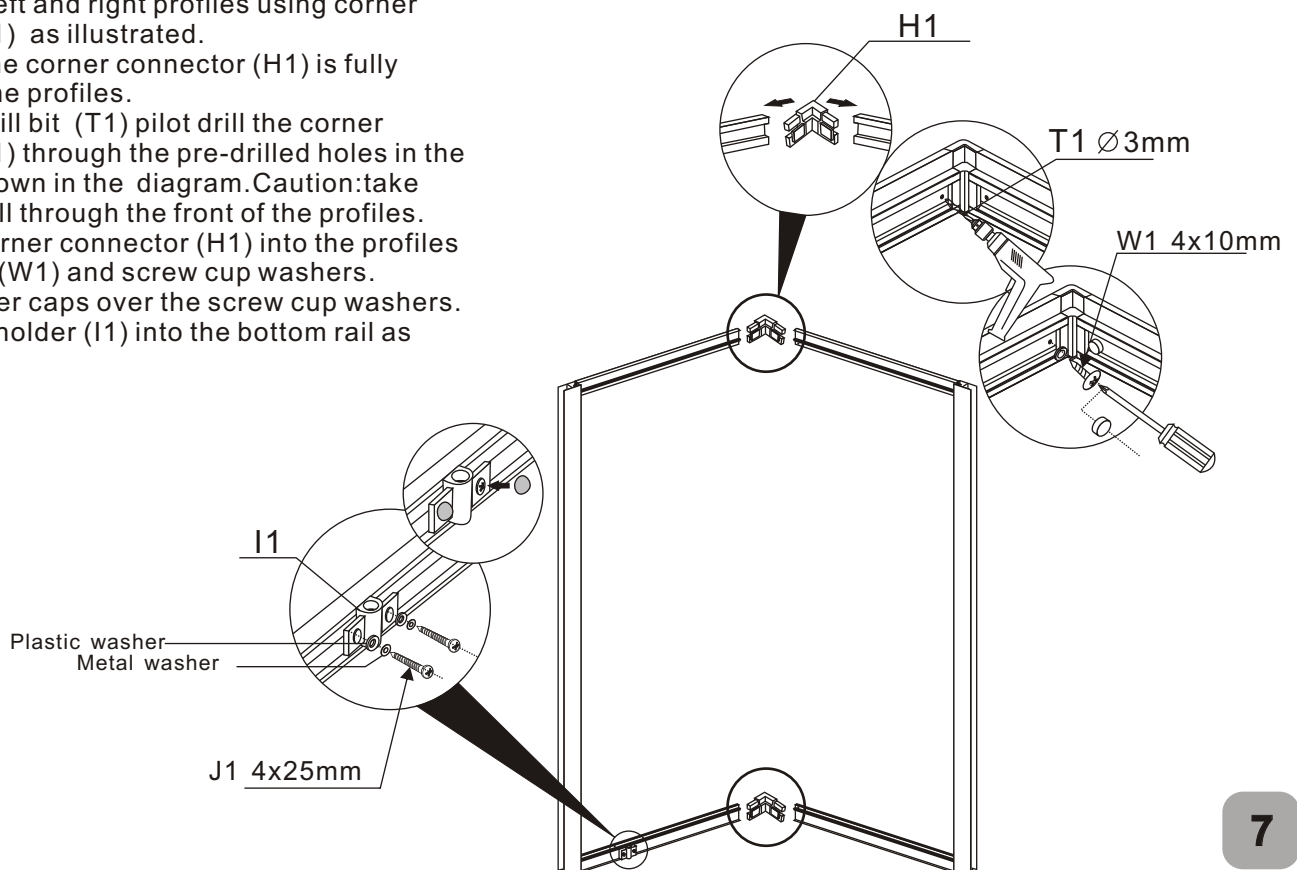
Ensure that the corner connector (H1) is fully pushed into the profiles.

Using 3mm drill bit (T1) pilot drill the corner connector (H1) through the pre-drilled holes in the profiles as shown in the diagram. Caution: take care to not drill through the front of the profiles.

Secure the corner connector (H1) into the profiles using screws (W1) and screw cup washers.

Place the cover caps over the screw cup washers.

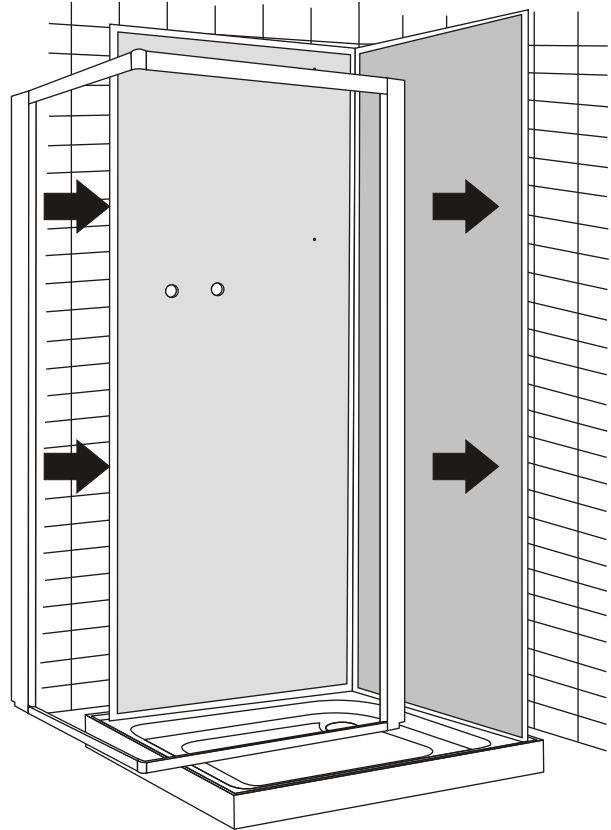
Fix the hinge holder (I1) into the bottom rail as illustrated



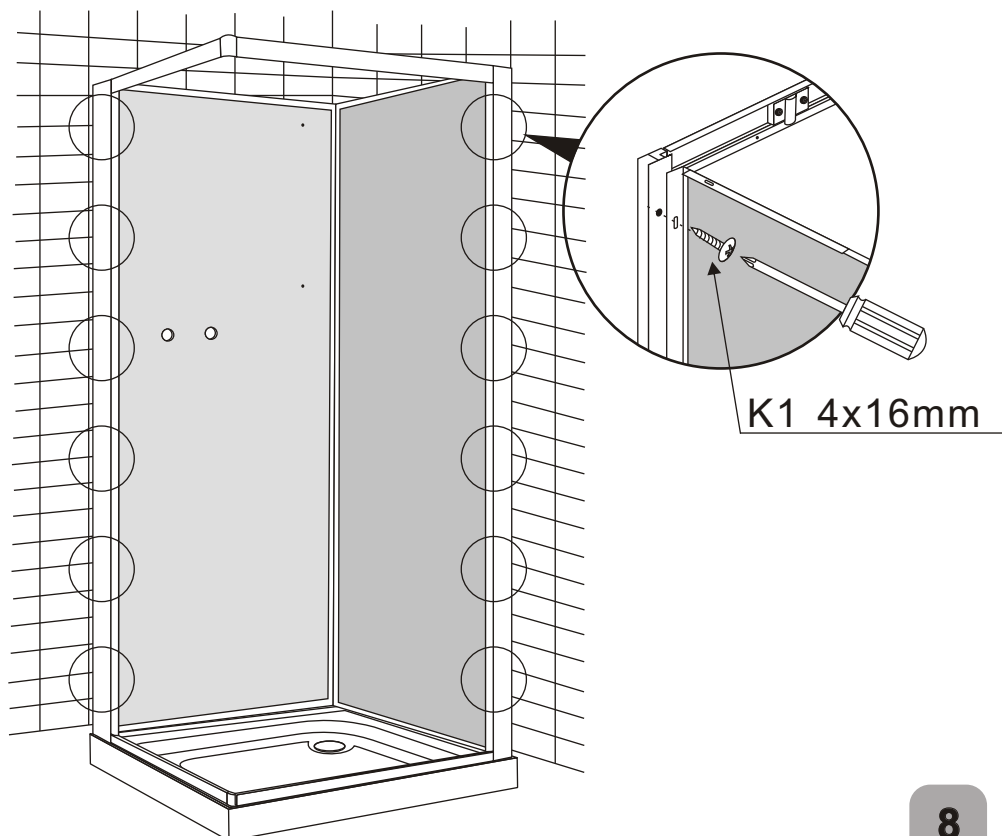
Assembly Instructions

800x800 PIVOT DOOR SHOWER ENCLOSURE

Place the assembled profiles onto the shower tray. Ensure that the cut-out in the left (Ba) and right profiles (Bb) is at the bottom.



Using screws (K1) secure the back panels (I & J) to the assembled profiles as shown in the diagram. Tighten the screws by hand only.

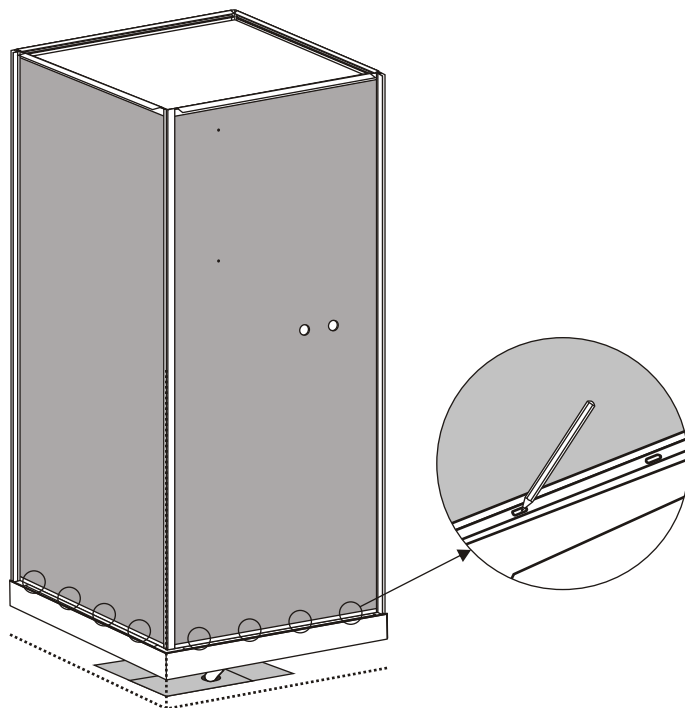


Assembly Instructions

800x800 PIVOT DOOR SHOWER ENCLOSURE

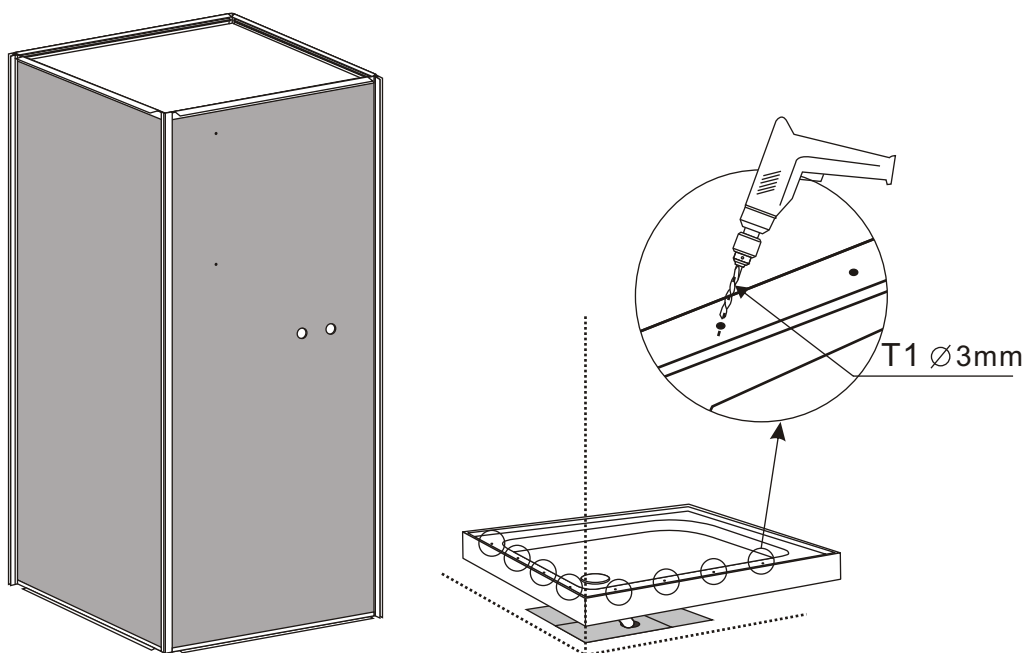
Adjust the position of the enclosure on the tray so that the back of the left (Ba) and right profiles (Bb) are in-line with the rear of the shower tray.

Using a pencil, mark the position of the fixing holes at the rear of the back panels (I & J) onto the shower tray.



Carefully lift the enclosure off the shower tray and place to one side.

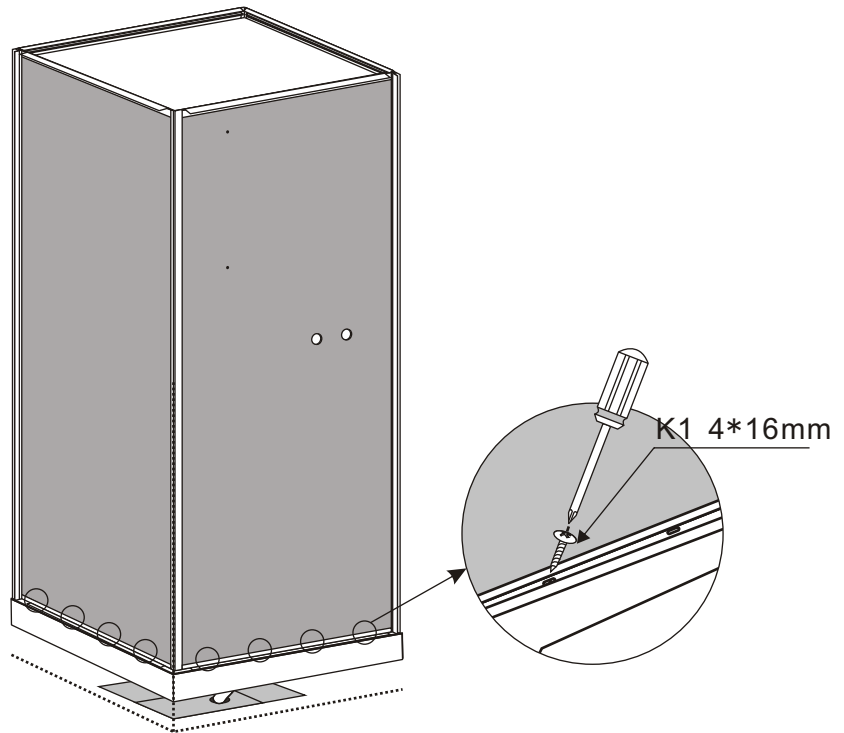
Using the 3mm drill bit (T1) pilot drill the shower tray in the positions marked. It may be necessary to drill the holes at a slight angle. Place the enclosure back into position on the shower tray.



Assembly Instructions

800x800 PIVOT DOOR SHOWER ENCLOSURE

Secure the enclosure to the shower tray using screws (K1). It may be necessary to screw at a slight angle. Tighten the screws by hand only.



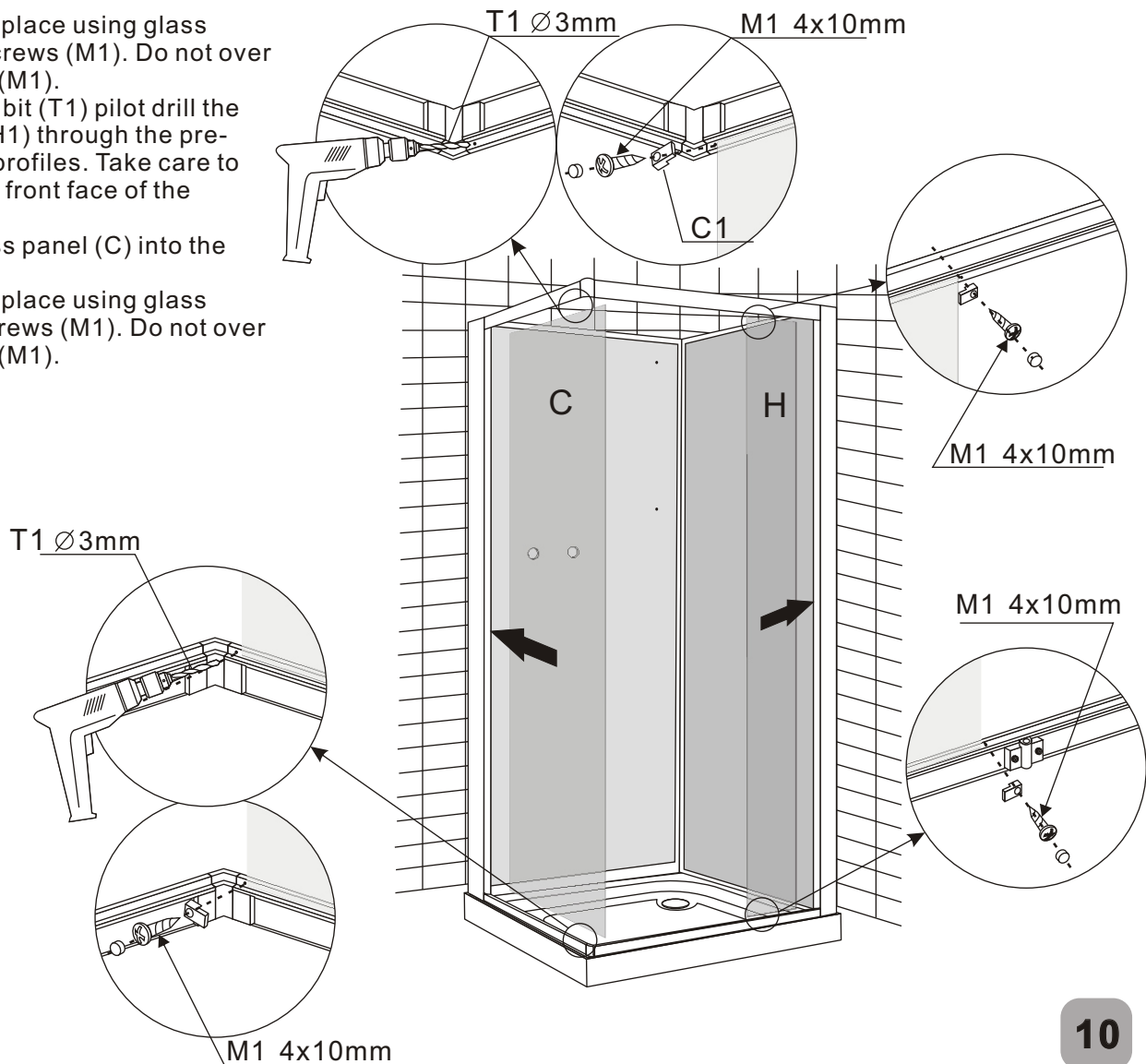
Insert the fixed glass panel (H) into the enclosure.

Secure the glass in place using glass clamps (C1) and screws (M1). Do not over tighten the screws (M1).

Using the 3mm drill bit (T1) pilot drill the corner connector (H1) through the pre-drilled holes in the profiles. Take care to not drill through the front face of the profiles.

Insert the fixed glass panel (C) into the enclosure.

Secure the glass in place using glass clamps (C1) and screws (M1). Do not over tighten the screws (M1).

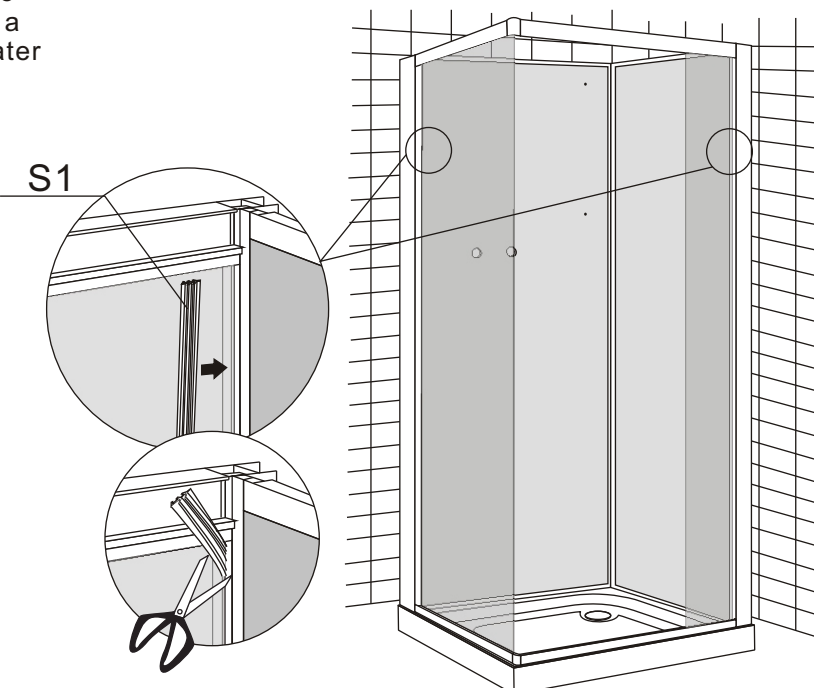


Assembly Instructions

800x800 PIVOT DOOR SHOWER ENCLOSURE

Insert the rubber seals (S1) into the gaps between the glass and the profiles from the inside as illustrated. Wet the seals under a running tap and shake off the excess water before inserting the seals into the gaps. Ensure that the seals are fully pushed into the gaps.

Cut the rubber seals (S1) to the required length using a sharp knife or a pair of scissors as illustrated



Push the magnetic seals (D) onto the fixed side panel and the pivot door. Cut the magnetic seals (D) to the required length using a sharp knife or a pair of scissors as illustrated.

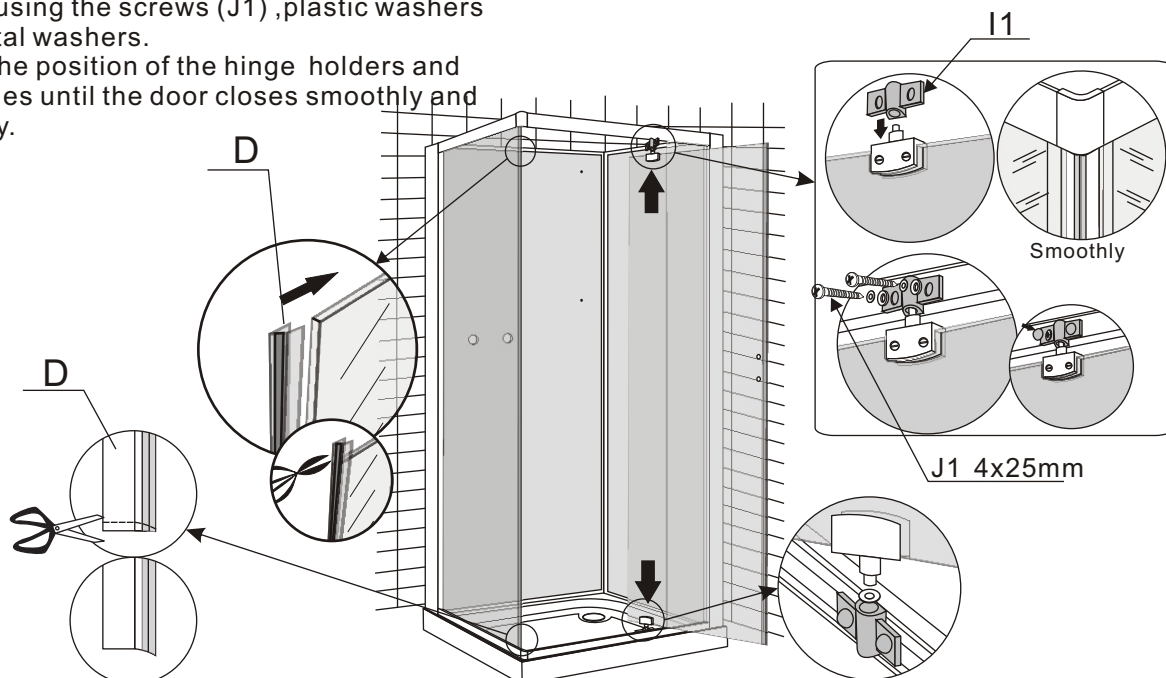
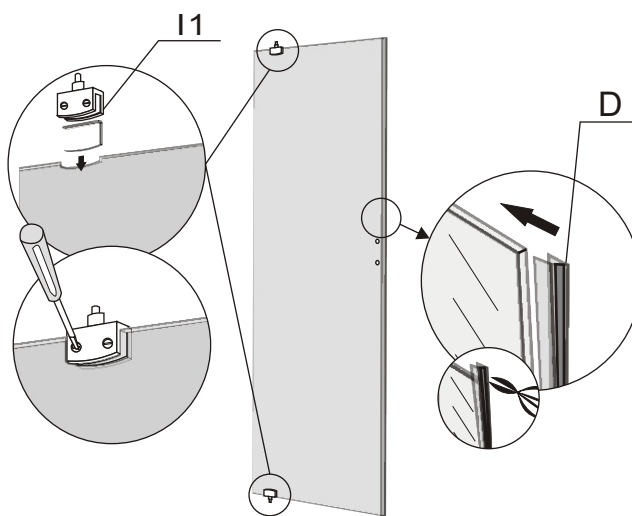
Note: the magnetic seals (D) should be trimmed to fit around the glass clamps (C1) at the base of the enclosure (see diagram below).

Fix the hinges (I1) to the door (E) as illustrated. Ensure that the L-shaped washer is placed between the outside of the pivot door and the hinge.

Place the bottom hinge (I1) into the hinge holder in the bottom rail ensuring that the washer is between the hinge and the hinge holder. While supporting the door, place the other hinge holder onto the hinge at the top of the door.

Insert the hinge holder into the top rail and secure using the screws (J1), plastic washers and metal washers.

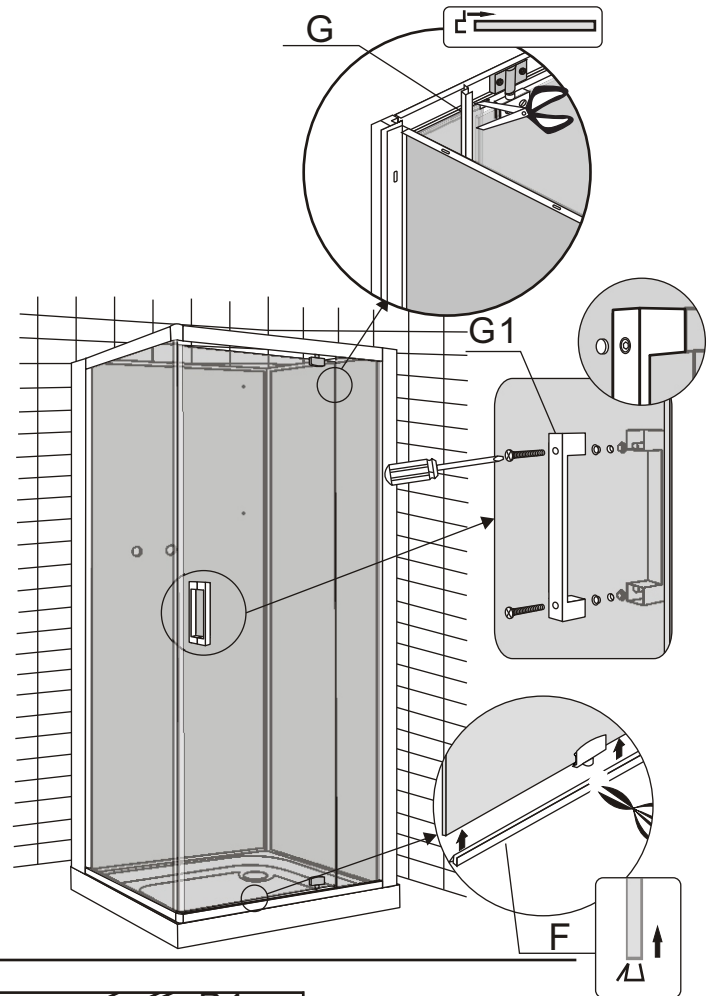
Adjust the position of the hinge holders and the hinges until the door closes smoothly and securely.



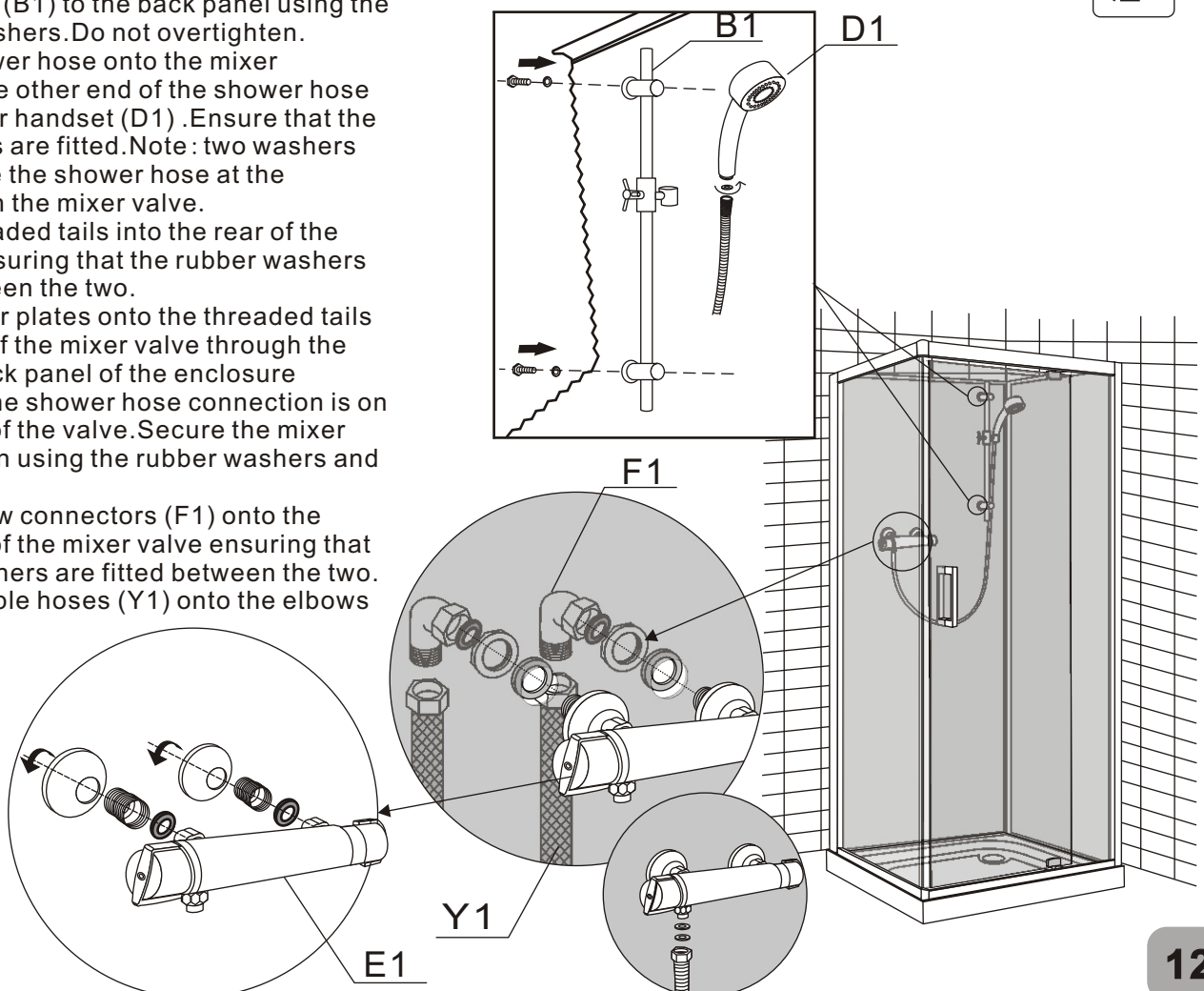
Assembly Instructions

800x800 PIVOT DOOR SHOWER ENCLOSURE

Push the seals (F & G) onto the door. Cut the seals to the required length using a sharp knife or a pair of scissors as illustrated. Fix the handle (G1) onto the door ensuring that the rubber washers are placed either side of the glass between the handle and the glass. Push the cover caps on.



Fit the riser rail (B1) to the back panel using the screws and washers. Do not overtighten. Screw the shower hose onto the mixer valve. Screw the other end of the shower hose onto the shower handset (D1). Ensure that the rubber washers are fitted. Note: two washers are fitted inside the shower hose at the connection with the mixer valve. Screw the threaded tails into the rear of the mixer valve, ensuring that the rubber washers are fitted between the two. Screw the cover plates onto the threaded tails. Push the tails of the mixer valve through the holes in the back panel of the enclosure ensuring that the shower hose connection is on the underside of the valve. Secure the mixer valve in position using the rubber washers and backnuts. Screw the elbow connectors (F1) onto the threaded tails of the mixer valve ensuring that the rubber washers are fitted between the two. Screw the flexible hoses (Y1) onto the elbows.

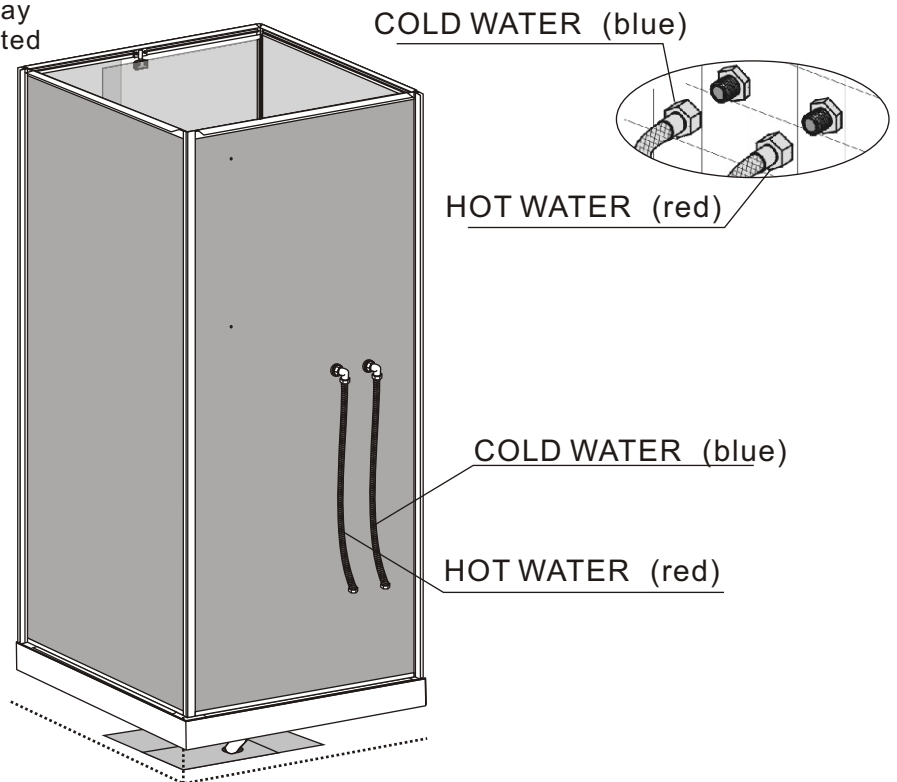


Assembly Instructions

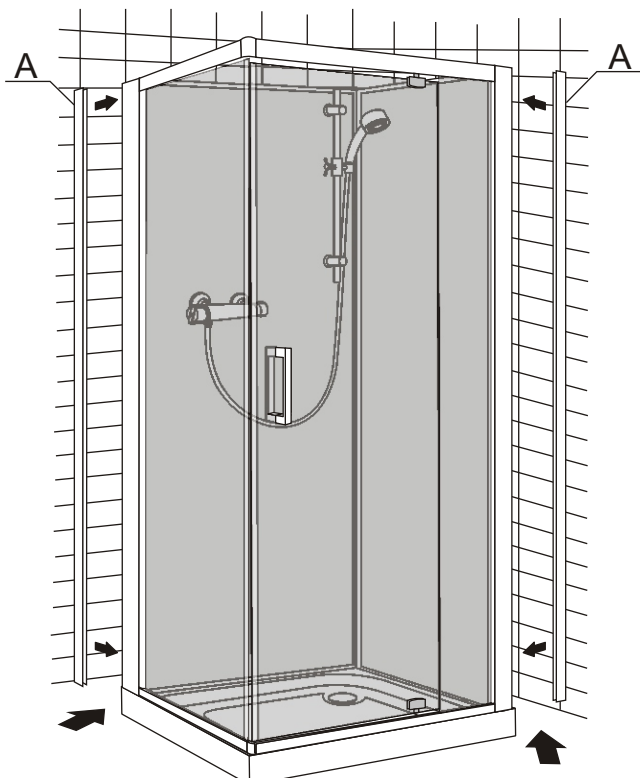
800x800 PIVOT DOOR SHOWER ENCLOSURE

Connect the flexible hoses to the water supplies as illustrated

Caution: damage to mixer valve cartridge may result if the hot and cold supplies are connected incorrectly



Insert the wall profiles (A) into the fixed profiles as illustrated. These are to be pulled out from the fixed profile once the enclosure has been installed to allow suitable adjustment between the walls and the enclosure
Move the enclosure back to its final installation position



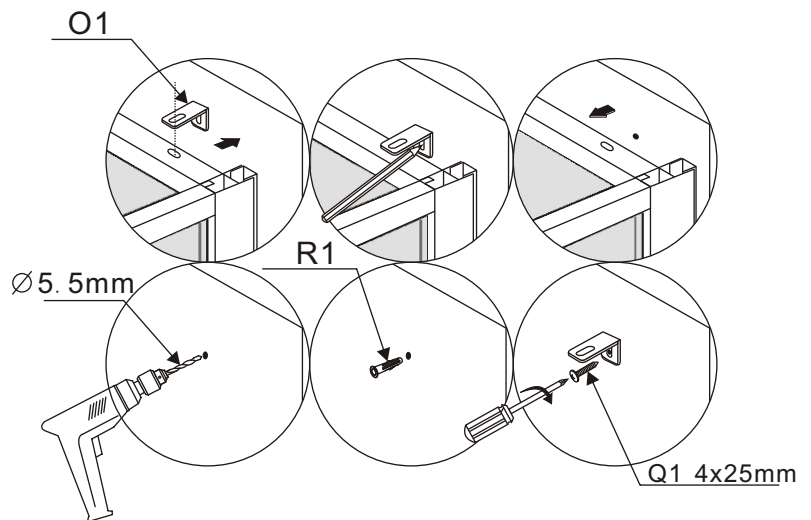
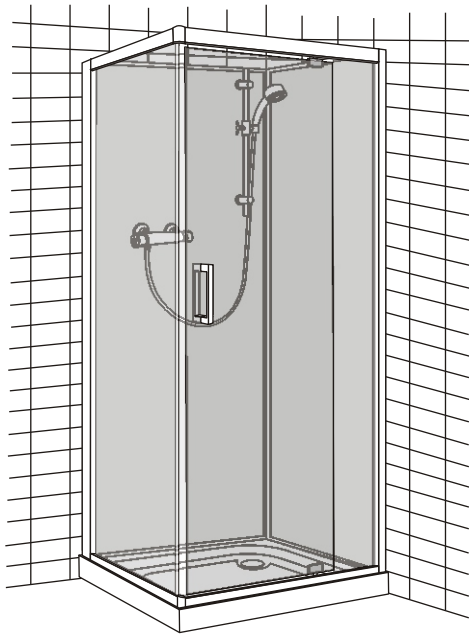
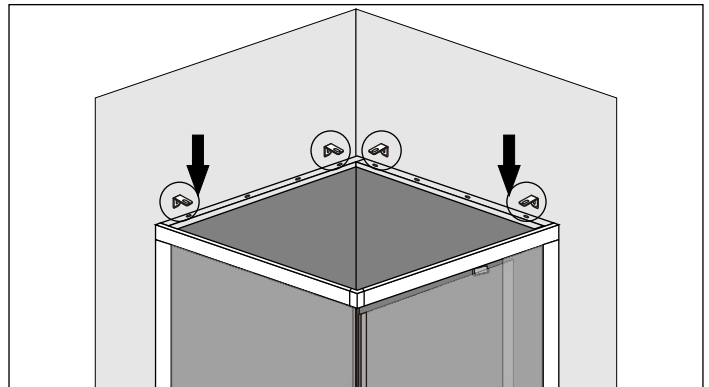
Assembly Instructions

800x800 PIVOT DOOR SHOWER ENCLOSURE

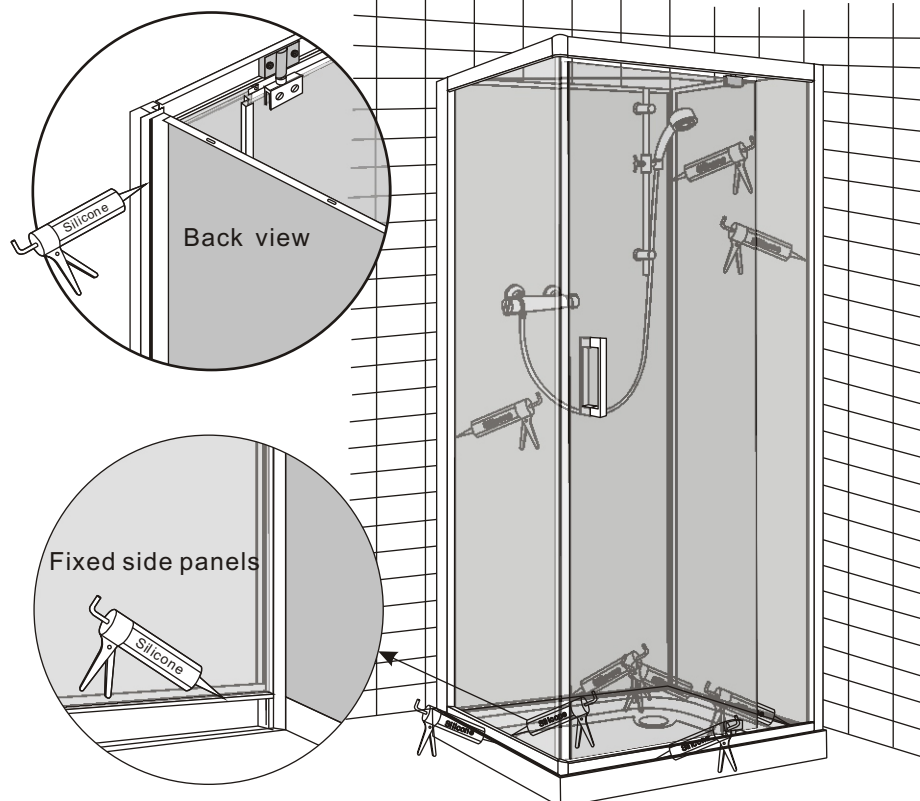
Place a support bracket (O1) over the pre-drilled holes in the top of the enclosure as shown in the diagram. Using a pencil, mark the position of the support brackets on the walls.

Move the enclosure back away from the walls. Using a 5.5mm drill bit suitable for the wall type drill the positions marked on the walls. Insert the wall plugs (R1) into the holes drilled in the walls.

Using a screwdriver, secure the support brackets (O1) to the walls using screws (Q1).



Apply silicone sealant to all joints as illustrated (Note: Do not use the enclosure for 24 hours, to allow the silicone to dry completely)



Assembly Instructions

800x800 PIVOT DOOR SHOWER ENCLOSURE

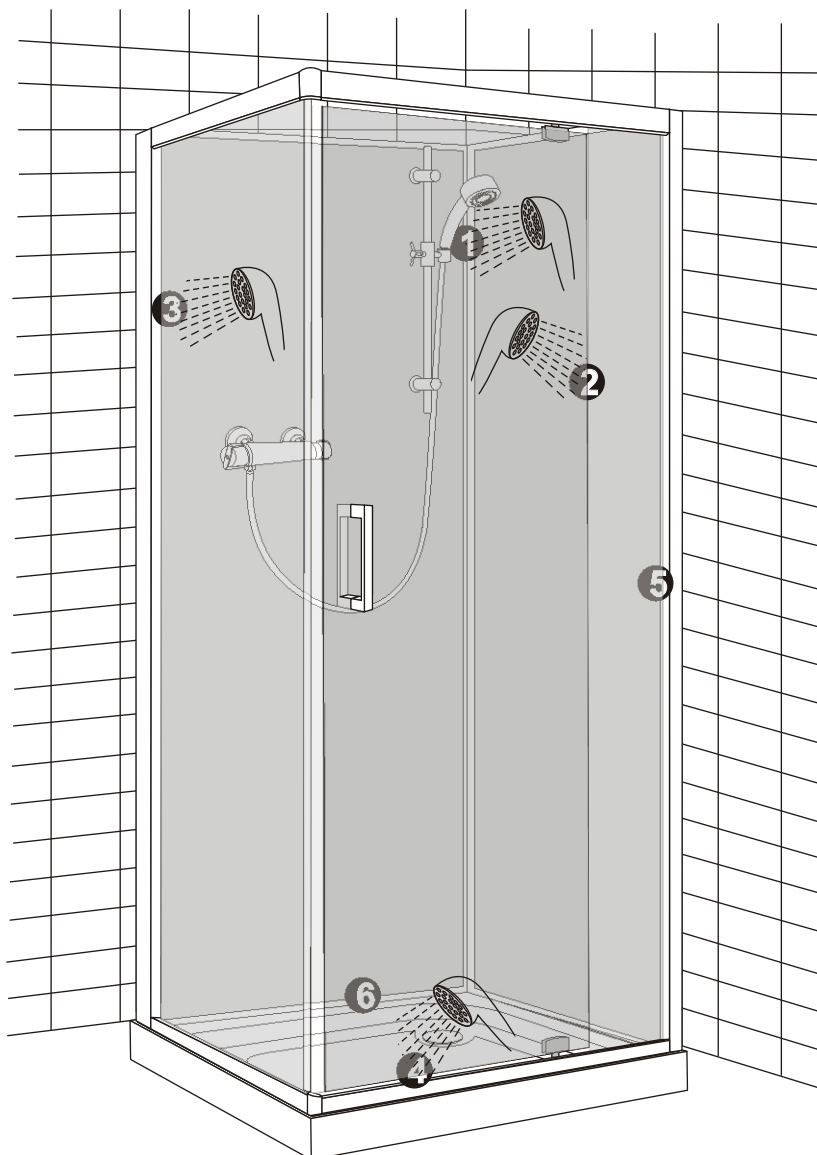
TESTING THE ENCLOSURE

We recommend that all of the functions of this enclosure are tested before it is fitted in its final position as access to the connections will be limited. Guidance for all of the functions can be found at the rear of this guide.

We recommend that you wait 24 hours to allow the silicone to dry before testing so that the enclosure can be fully tested for water tightness. It is important that water does not escape during the use of the enclosure so all four sides need to be tested.

Ensure that all water connections including those pre-installed are checked thoroughly for leaks before installation

Once you are happy that all of the functions are working correctly you can move onto the next step, the final installation.



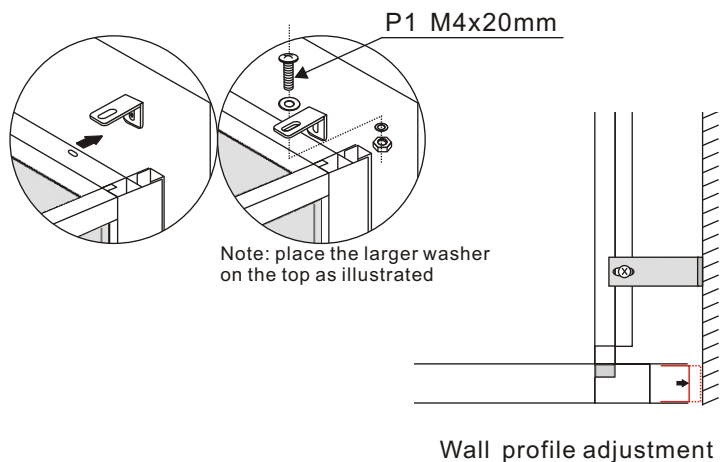
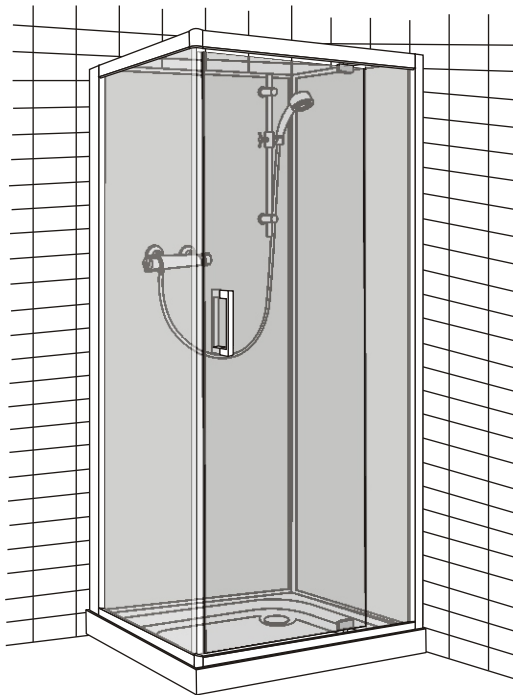
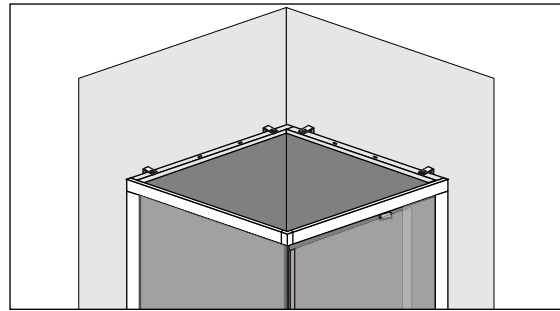
Assembly Instructions

800x800 PIVOT DOOR SHOWER ENCLOSURE

Push the enclosure back into its final installation position ensuring that the flexible waste pipe is not kinked.

Secure the shower enclosure to the support brackets using screws and nuts (P1). Ensure that the larger washers are fitted above the support brackets.

Adjust the wall profiles to make sure there is no gap between the walls and the shower enclosure as illustrated.



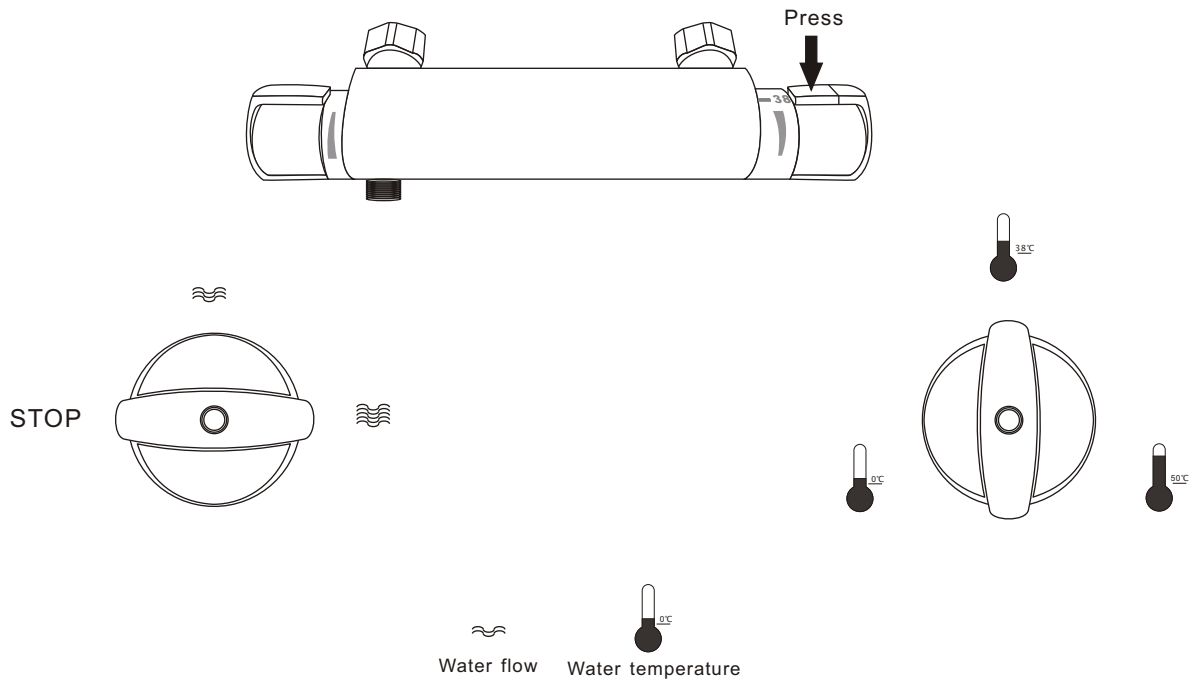
CARE & USE

- Soapy water is adequate to keep the glass clean, although glass cleaner can be used if required. Scourers, abrasives and chemical cleaners can damage the glass and should not be used.
- In hard water areas, insoluble lime salts may be deposited on the glass. If this is allowed to build up it becomes increasingly difficult to remove and looks unsightly. Regular cleaning will minimize this effect.
- Regularly check moving parts such as rollers and hinges to ensure they are secure and adjusted correctly. Tighten and adjust where required. Also check all sealed joints to ensure seal has not deteriorated. Re-seal if required.
- For further information, please e-mail Customer Services at d2m@pjhgroup.com

Assembly Instructions

800x800 PIVOT DOOR SHOWER ENCLOSURE

MIXER VALVE CONTROLS



RISER RAIL

