

Quadrant and Offset Quadrant Steam Cabin IN00139



Step-by-Step Installation Guide

Steam Cabin Instructions

Read all of these instructions and retain this guide for later use.

Pass on this guide in the event of change of ownership of the installation site.

Follow all warning, cautions and instructions contained in this guide, and on or inside the appliance.

Electrical Installation.

The electrical installation must comply with the “Requirements for Electrical Installations” commonly referred to as the IEE Wiring regulations, or any particular regulations and practices, specified by the local electricity supply company in force at the same time of installation. The installation should be carried out by an electrician or contractor who is registered, or is a member of, an association such as

National Inspection Council for Electrical Installation and Contracting (NICEIC), throughout the UK.

The electrical contractors association (ECA), England and Wales.

The electrical contractors association of Scotland (ECAS).

Product rating:

220 – 240V AC

2500 – 3800 W

THIS APPLIANCE MUST BE EARTHED.

Ensure supplementary bonding complies with the “Requirements for Electrical Installations”

In accordance with the current edition of “The Plugs and Sockets etc (safety) Regulations in force at the time of installation, this appliance is intended to be permanently connected to the fixed electrical wiring of the mains system.

A double pole switch of a suitable rating must be used to enable disconnection from the mains supply. This switch can be a ceiling mounted pull-cord type within the shower room or a wall mounted switch in an adjacent room.

It must have an independent supply from consumer unit rated at 20 amp. The circuit requires protection from an RCD with a sensitivity not exceeding 30 mA.

The electrical circuits to the steam cabin need to conform with part P of Building Regulations, and user/installer should contact their local borough council for further help and advice if required.

Mains supply connections.

Live = Brown wire

Neutral = Blue wire

Earth - Yellow/Green wire

Plumbing System

The plumbing installation must comply with the requirements of UK Water Regulations/Bye-Laws (Scotland), Building Regulations or any particular regulations and practices, specified by the local water company or water undertakers. The installation should be carried out by a plumber or contractor who is registered, or is a member of, an association such as

Institute of Plumbing (IOP), throughout the UK.

National Association of Plumbing, Heating and Mechanical Services Contractors (NAPH&MSC), England and Wales.

Scottish and Northern Ireland Plumbing Employers Federation (SNIOEF), Scotland and Northern Ireland.

Requires hot and cold water feeds

This product will require a minimum water pressure of 1.5-3.0 bar to function correctly. We recommend fitting a negative head water pump to all steam cabins.

This product can be fitted to a combination water heating system, however you can not fit pump to any combination boiler system. It is illegal to do so, as this can starve the combi boiler of water and cause severe malfunctions.

We also recommend that you install a water filter.

Large bore, non restrictive isolator valves should be fitted to the hot and cold water supplies, as close to the steam cabin as possible, to enable easy disconnection of the water supply for servicing.

The fitting of standard small bore isolator valves into the cabin water supplies may cause the cabin to malfunction.

The water connection to the steam cabin must be made by reinforced flexible hoses to enable the cabin to be manoeuvred during installation and servicing.

Thoroughly check all pipe fittings for tightness and leaks before moving the cabin into final position against the wall.

General Installation

Steam cabins must be installed as a free standing unit and not sealed against walls to enable easy removal for servicing. (It is recommended that the floor is fully covered or tiled under steam cabin, with no steps in floor level. It is also advisable to fully finish walls with no steps in tiles etc behind steam cabin).

All internal panel joints must also be sealed with a suitable silicon sealant. Pay particular attention to the lower corners where the plastic side/back panels meet the front metal frame.

Safety Notes

No separate electrical steamers or humidifiers are to be used inside the cabinet.

Anyone who may have difficulty understanding or operating the controls of any shower should be attended whilst showering. Particular consideration should be given to the young, the elderly, the infirm, or anyone inexperienced in the correct operation of the controls.

If the supply cord is damaged, it must be replaced by the manufacturer, its service agent or similarly qualified persons in order to avoid a hazard.

Steam Cabin Maintenance

Steam Cabin Cleaning

Shower Cubicle

Clean the acrylic and plated surfaces with a mild washing up detergent or soap solution, and then wipe dry with a soft cloth.

Do not use household cleaners that contain abrasives, alcohol, acetone, ammonia or other solvents on any part of the steam shower cabin.

Minor surface scratches can be removed by lightly rubbing with 1200 grit wet & dry abrasive paper. This can then be followed by polishing the repaired area with an automotive colour restorer (T-cut) and then finish with an automotive wax polish.

The glass panels can be cleaned with any cream or liquid glass cleaner.

Control Display Panel

Wipe the control panel with a clean soft cloth after use. If the surface becomes dirty, use a solution of non-abrasive soap and warm water with a soft cloth to clean.

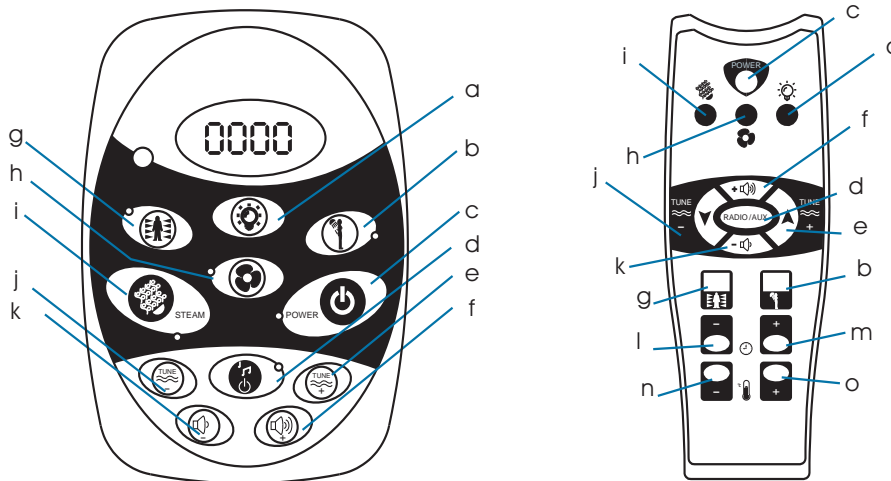
Showerhead

To clean lime scale deposits from the shower head, unscrew the nozzle and soak in a suitable proprietary de-scaling solution in accordance to the manufacturers instructions. Do not use metal tools to clean the shower head with.

Replacing Steam Cabin Light Bulb

Detach monsoon piping and unscrew monsoon. Lamp cover bezel may then be removed to expose bulbs.

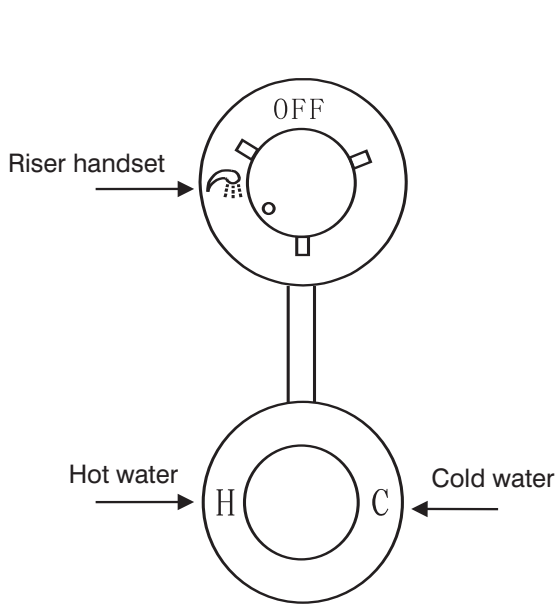
Steam Cabin Control Panels



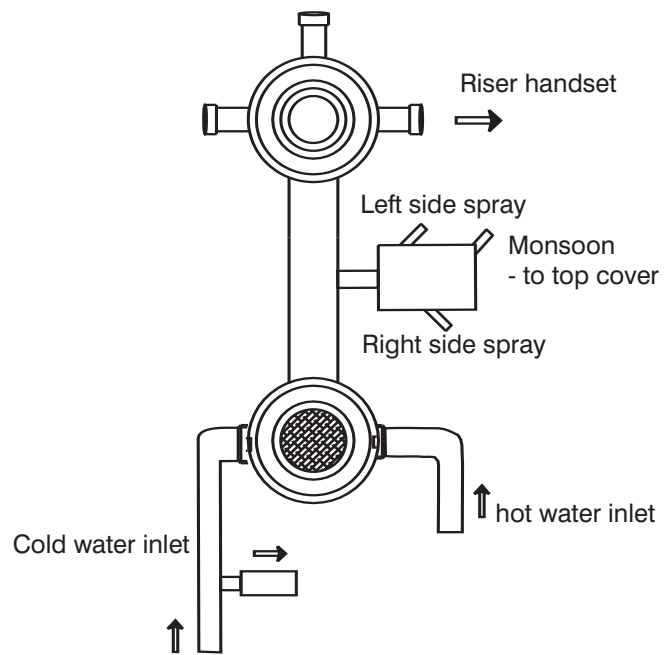
- A: Roof light button - press button to turn on or off the light
- B: Head jets button - press button to turn on or off the jets function
- C: Power button - press button to turn on or off the main power supply
- D: Radio button - Press button to turn on or off the radio
- E: Frequency Search - Press button to search for the first clear signal
- F: Volume adjustment - Press to increase the volume
- G: Back jets button - Press button to turn on or off the jets function
- H: Fan button - Press button to turn on or off the fan
- I: Steamer button - press button to turn on or off the steamer function
- J: Reset button - Restarts the radio search function
- K: Volume adjustment - Press to decrease the volume
- L: Timer adjustment - Press to decrease timer (remote control only)
- M: Timer adjustment - Press to increase timer (remote control only)
- N: Temperature adjustment - Press to decrease temperature (remote control only)
- O: Temperature adjustment - Press to increase temperature (remote control only)

Steam Cabin Diverter Valve Instruction

Diverter Valve Instructions



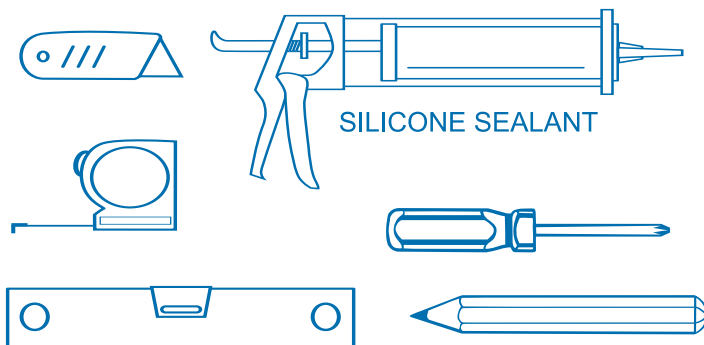
view of diverter valve from the front



view of diverter valve from the back

BEFORE YOU START!

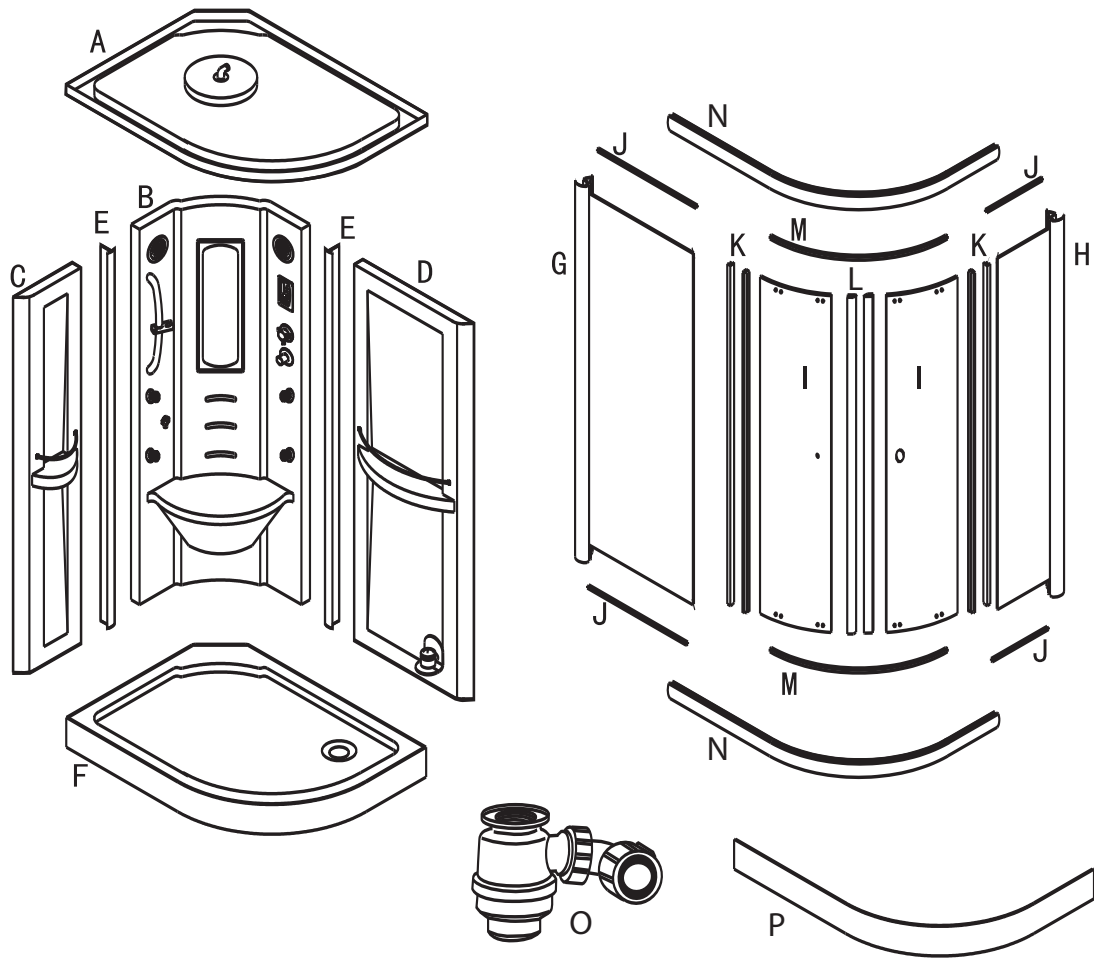
1. Check the contents of packages against parts listing to ensure that all parts are present.
2. Have the correct tools available as specified.
3. Two people are required to fit this product



0870 241 6131

LINES OPEN: 8.30am - 5.00pm MONDAY - FRIDAY
STANDARD NATIONAL CALL CHARGE RATE
FROM BT LANDLINES

Steam Cabin Components



Parts supplied

NO.	Name	Qty
A	Top cover	1
B	Back board	1
C	Left side board	1
D	Right side board	1
E	"T" Aluminium	2
F	Shower tray	1
G	Left fixed panel	1
H	Right fixed panel	1

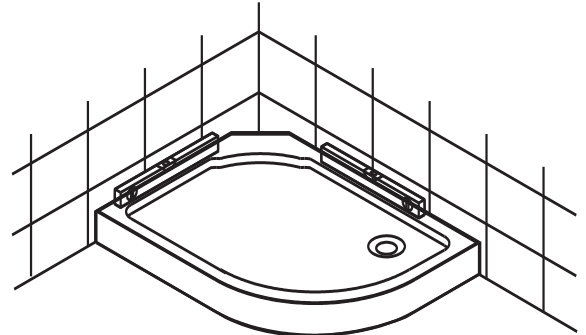
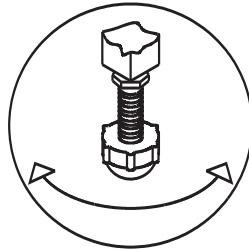
NO.	Name	Qty
I	Movable door	2
J	Glass seal	4
K	Door side seal	4
L	Magnetic door seal	2
M	Head / Cill Trim	2
N	Head & Cill Rails	1/1
O	Waste Kit	1
P	Tray Panel	1



1

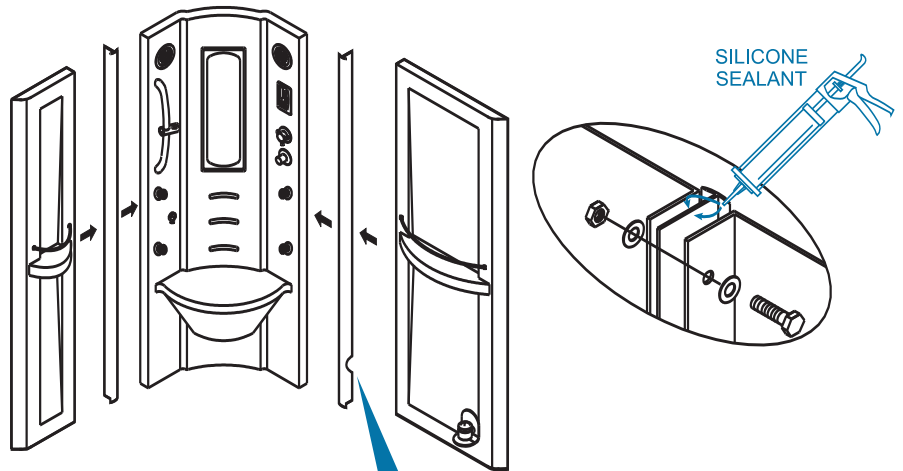
Install shower tray

- ① Position the tray in the required position and fit waste connections under the tray ensuring that the cabin can be withdrawn for installation and maintenance.
- ② Ensure the tray is perfectly level in all directions, adjust the feet under the tray if needed.



2

Connect sides and back board using bolts provided. Aluminium 'T' strips sandwich in the joints to cover the joint edge. Silicon the inner faces of the 'T' strip to effectively seal as shown. Leave bolts finger tight at this stage.

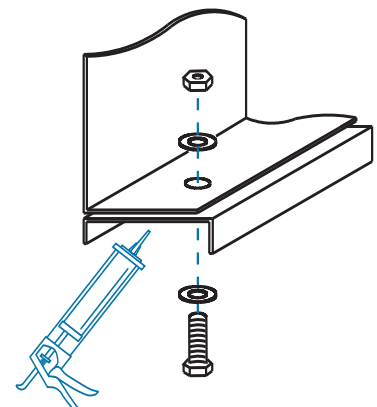
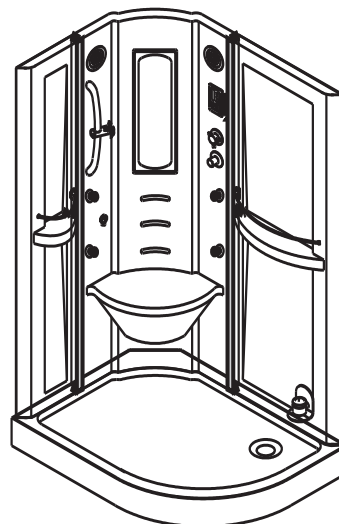


Ensure cut out in right hand 'T' strip is orientated as shown to allow steam pipe routing

3

Connect back board and shower tray

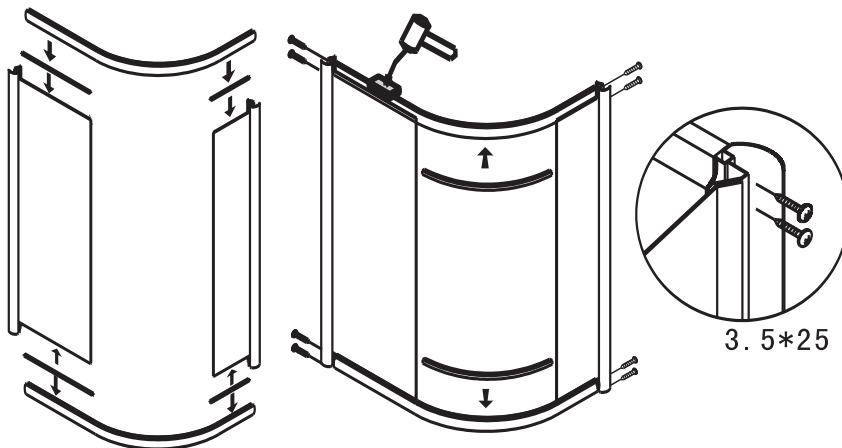
- ① lift back board and position on the shower tray carefully.
- ② Fix and lock the back board to tray using bolts provided. Silicone joint before assembly as shown. Finally tighten all bolts between back panel sections and to the tray.



4

Assemble door frame

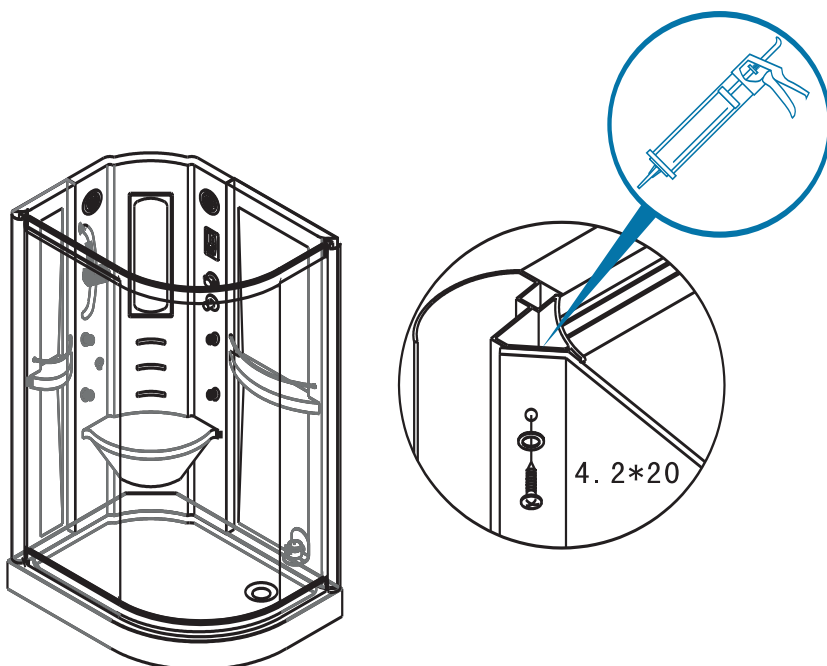
- ① Apply gasket to top and bottom of fixed panel and into the slots of head and cill rails.
- ② Fix together with 8x fixing screws as shown.



5

Install door frame

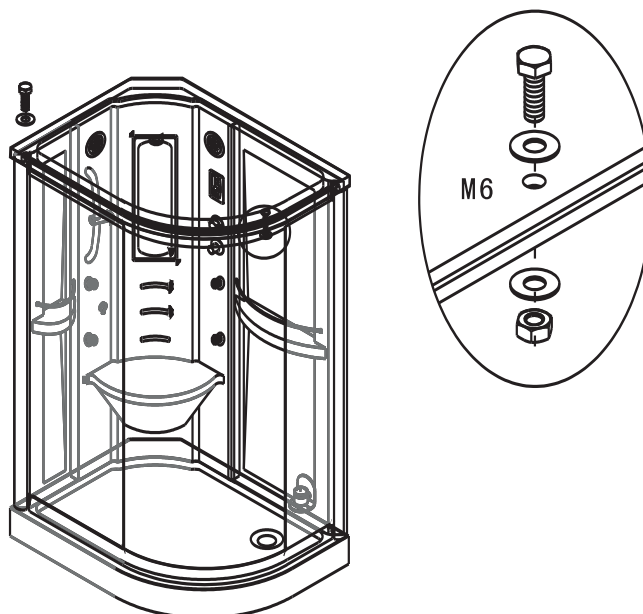
- ① Position frame on the shower tray carefully, lining up fixing holes after silicone sealing joint.
- ② Screw frame in place using self tapping screws and washers as shown.



6

Install top cover

- ① Lift the top cover onto the cabin. Line up fixing holes.
- ② Fix with bolts provided as shown.



7

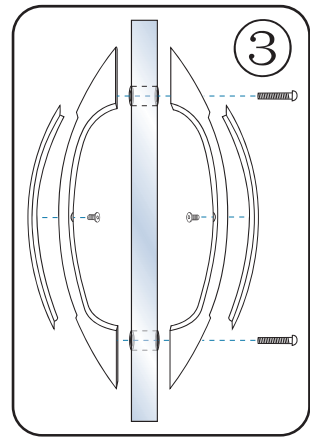
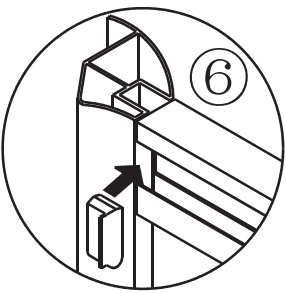
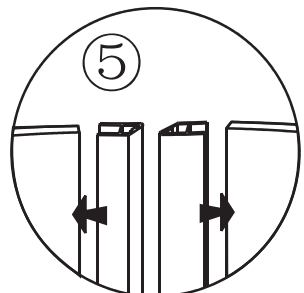
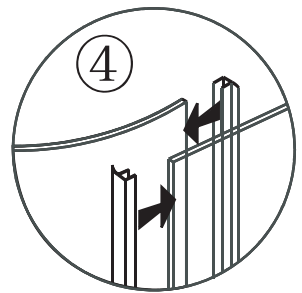
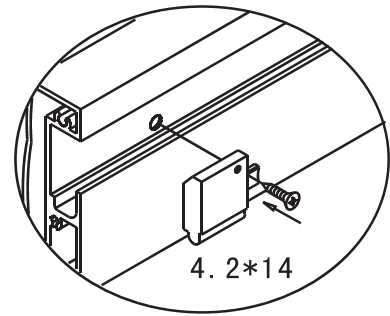
Assemble the movable doors.

- ① Fix door bearings in place with the wheels facing the outside of the door curvature. Top bearings do not have a sprung button - the adjuster screw must be accessible at the bottom.
- ② Fix sprung stops in place at the ends of the heads and cills and in the middle. The sprung arms must face inwards to stop door movement. **STOPS ARE HANDED**
- ③ Fix handles
Attach door end seals.
- ⑤ Attach closing magnets.
- ⑥ Insert grey rubber head & cill end blocks.
- ⑦ Install doors loading the bearings at the centre of the rails.

Ensure adjustment screw is accessible

Sprung buttons to face upwards

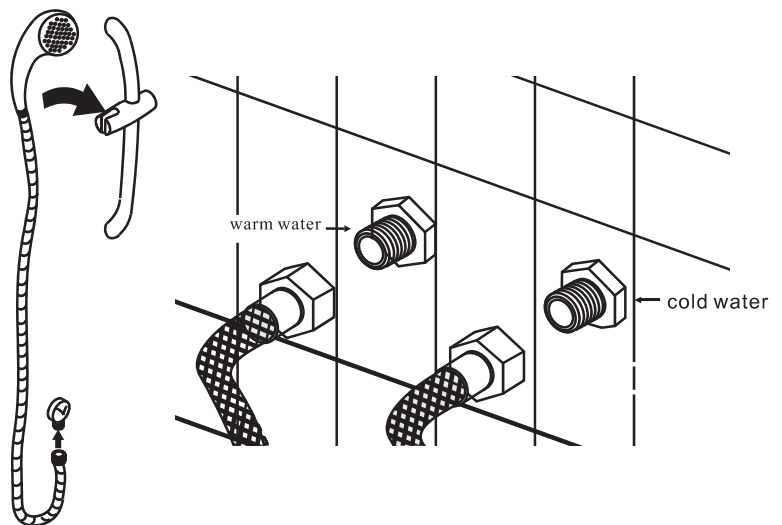
Click on trim cap



8

Connect water supply

- ① Connect the hot and cold water pipes.
- ② Connect piping on the cabin to service the top cover monsoon.
- ③ Install hose of shower handset.
- ④ Make certain all water connection are tight and leak free.



9

Connect electrical supply

- ① Connect top cover light and speakers.
- ② Connect mains power.

10

Adjust door bearing if required for smooth operation.

Silicone seal as shown in blue in illustration before use.

