

INSTALLATION & USE MANUAL FOR SHOWER ROOM

MODEL APPLIED: RLJ-5055

Dear customer:

Before you install and use this manual carefully to ensure you can use it safely and effectively later. Please take care to keep it well after finishing installation. This manual, together with the valid invoice will be used as proof to enjoy our after-sales service in the future. Should you have any queries, please consult with your local distributor or our company. We will give you satisfactory reply.

Catalog

- 一、Precautions: 2
- 二、Technical parameters 3
- 三、Front glass room installation 4
- 四、Side Glass and back glass installation 5
- 五、Technical parameters 6
- 六、List for product's spare parts 7
- 七、Packing list 8
- 八、Tray installation 9
- 九、Back panel installation 10
- 十、Other accessories installation 11
- 十一、The installation & Usage of power and water circuit 12
- 十二、The solutions to common breakdowns 13
- 十三、Cleansing & Maintenance 14

1 Precautions:

- 1、Please check the packing list, product accessories for completeness and damage or default of product quality.
- 2、The installation of electrical parts must be carried out by qualified electrician or professional dispatched by local distributor .
- 3、The power supply should be connected for special use and the power switch of double gear (zero curve and live wire can be opened or closed simultaneously) and socket are strongly recommended. This power supply will not be allowed for other home appliance. It is suggested that the socket should keep 1.2M height from the ground. Should the power wire go through the wall, the use of pipe wrapping the wire is recommended to ensure safety.
- 4、The power supply connected by User must be compatible with the electrical parts parameters of this product. And the certified and effective power leakage switch as well as other relevant protective devices must be adopted. The technical parameters of protective devices as follow: Rated Voltage: 220V---240V//50HZ.
- 5、While installing, it is strictly forbidden to change the circuit and prolong the wire at random.; to cut off any part of connection wire; to take apart the computer controller, remote control, control panel(The computer controller as well computer panel do not include any parts that detached and assembled by User himself.), so as not to bring about any breakdown, leakage or electrical shock.
- 6、The use of such organic solvent as acetone, ammonia, gasoline, as well as other chemical items containing strong acid should be strictly avoided cause it will erode or dissolve the acrylic surface as well as other coated parts while installing.
- 7、Prior to each use, the User should check the power supply switch and hot water supply switch.
- 8、It is advised that the testing of power leakage protective plug should be carried out one time monthly. The testing should be done like this: when connected to power, the power indicator on the plug will be on; when pressing the testing switch on the plug, the power indicator will be off; when pressing "RESET" key, the power indicator will be on. if the power indicator is not off when pressing down testing key or the power indicator is not on when pressing down "RESET" key, it indicates the power leakage protection does not work properly or breakdown of leakage happened and the use of the products should be stopped and maintenance is needed.
- 9、The use of separate electrical parts that cause steam or moisture is absolutely forbidden inside the shower room.
- 10、"⊕" The grounding device should be permanently connected to the fixed layout of wire. The arrangement of wire should refer to the country's relevant arrangement rules to ensure the lead should be installed in proper position and the equal potential connection correct.
- 11、The replacement of damaged soft wire must be carried out by Manufacturer or other qualified professionals.

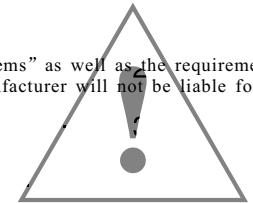
Advice:

- 1、When enjoying the steam, be wary of the high temperature of emitting exit or scald.
- 2、The use of steam do not apply to those who suffer high blood pressure, asthma, heart disease, or get drunken.
- 3、Children is advised to enjoy the steam accompanied by adults.
- 4、When sterilization of virus get started, the door of shower room should be closed and User is not allowed to enter
- 5、Do not start up the pump to let it work till water reach a certain level.
- 6、Do not forget to switch off the water switch and general power switch when finishing.
- 7、Be sure to make the electrical parts grounded to ensure the safety of power supply.
- 8、Be sure to cut off power for the safety of yourself and the product during thunderstorm.
- 9、The use of the product must be carried out indoor and it should avoid direct sunshine.



Warning:

The User must strictly abide by the "Attentions to the Safety Problems" as well as the requirements for installation and use mentioned in the manual. Otherwise, The Manufacturer will not be liable for any loss, accident thus rendered.



Declaration:

The manual can be used only for reference. The Manufacturer reserves the right for revising, or changing the technical parameters as well as dimensions, product configuration. Any further change will not be informed otherwise. For more details, please consult with the local agents.

2 Technical parameters

◆ The Configuration table for all sorts of specifications & functions

Model	Specification (MM)	Overhead shower	Hand shower	Acupuncture massage	Feet massage	Foldable seat	Steam	Digital panel	Ordinary panel	Ventilation fan	Roof light	Radio
RLJ-5055	1500*900*2250	●	●	●	●	●	★	★	★	●	●	●

Note: The mark “★” refers to optional functions

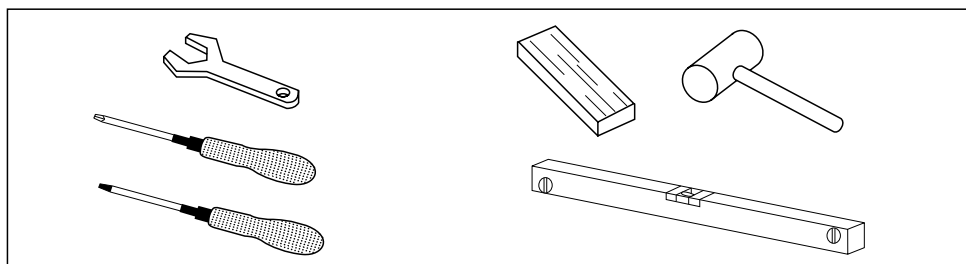
◆ Electric parameters

Power Voltage	Frequency	Control circuit voltage	Lighting	Fan	Loud speaker	Steam	Grounding resistance	SNR	Radio
AC220-240V	50Hz	12V	AC12V 20W	DC12V 5W	15W	2800W	FM88-108MHz	IPX4	≦ 0.1Ω

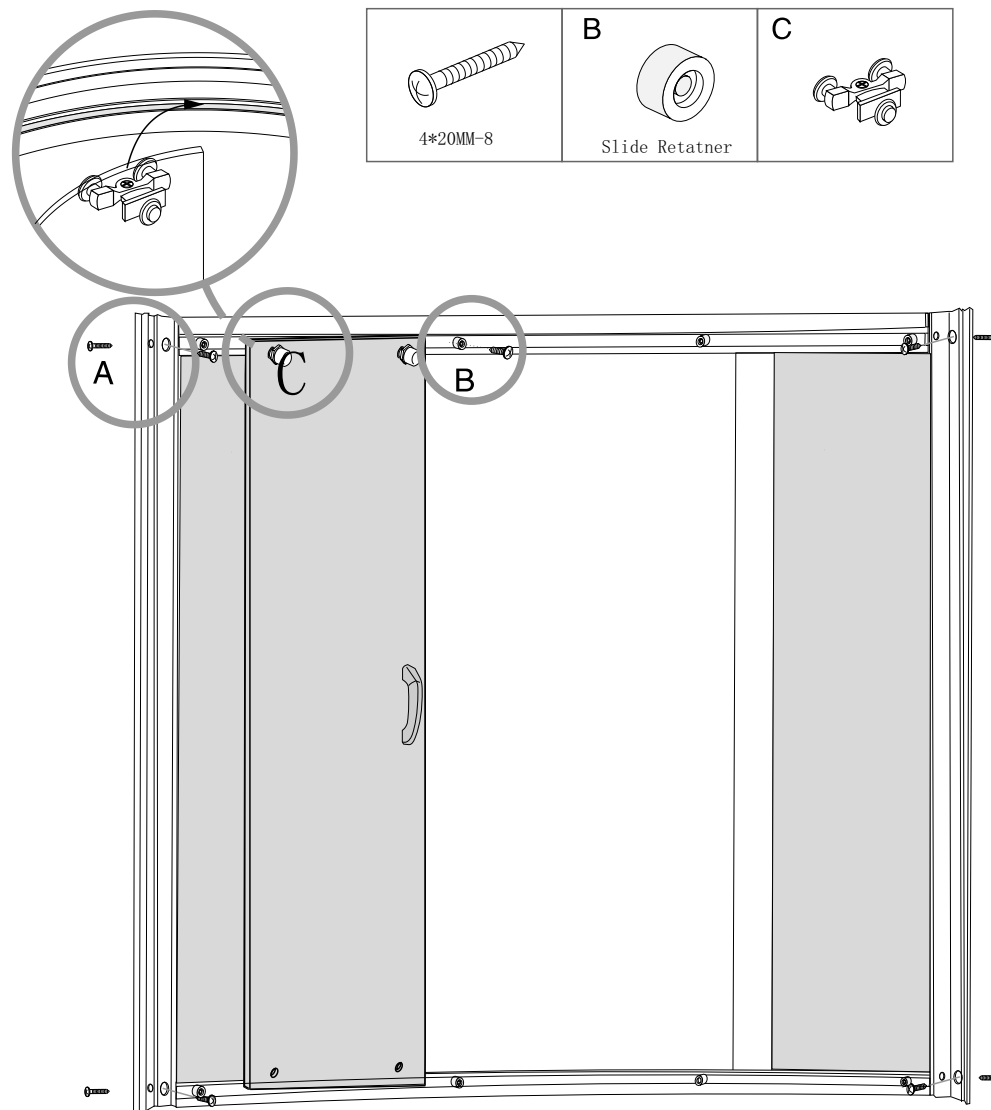
◆ Water parameters

Working water Pressure	Water flow volume	Diameter of water connection	
		Cold & Hot water	Drainer
Mpa	L/min		
0.2-0.4	8-12	G1/2"	G1 1/2"

◆ Tools for Installation



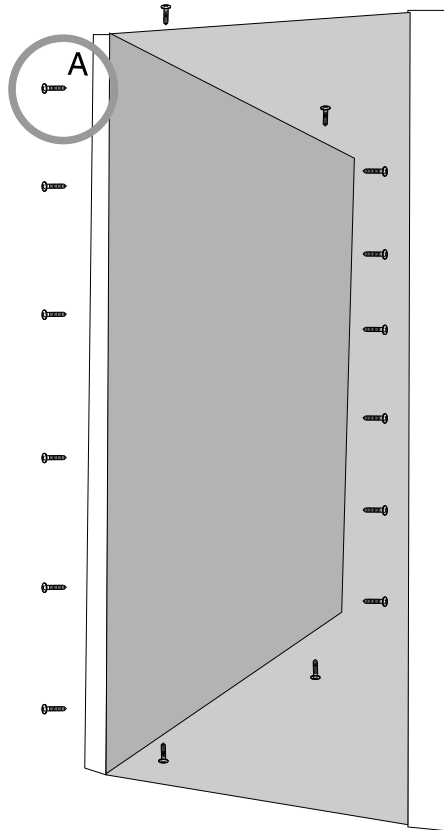
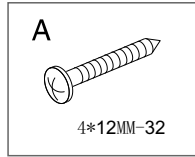
3 Front glass room installation



1. Install the front glass room as shown by photo A,B,C..(The right side is the effect after finishing installation)

Note: Be sure to insert the “U” shaped plastic strip into the joints between glass and aluminum-alloy profile.

4 Side Glass and back glass installation



5 Technical parameters

◆ The Configuration table for all sorts of specifications & functions

Model	Specification (MM)	Overhead shower	Hand shower	Acupuncture massage	Feet massage	Foldable seat	Steam	Digital panel	Ordinary panel	Ventilation fan	Rooflight	Radio
RLJ-5055	1500*900*2250	●	●	●	●	●	★	★	★	●	●	●

Note: The mark “★” refers to optional functions

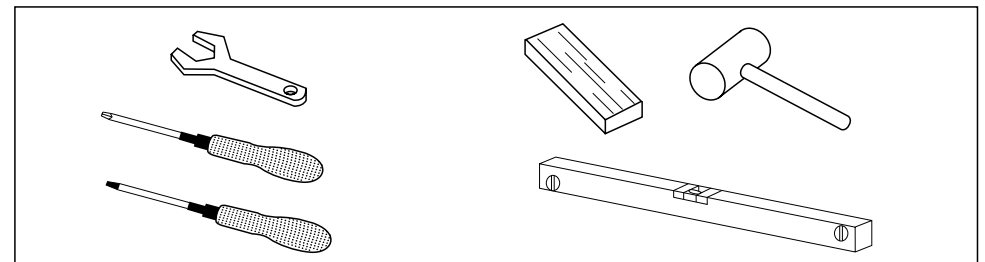
◆ Electric parameters

Power Voltage	Frequency	Control circuit voltage	Lighting	Fan	Loud speaker	Steam	Grounding resistance	SNR	Radio
AC220-240V	50Hz	12V	AC12V 20W	DC12V 5W	15W	2800W	FM88-108MHz	IPX4	≦ 0.1Ω

◆ Water parameters

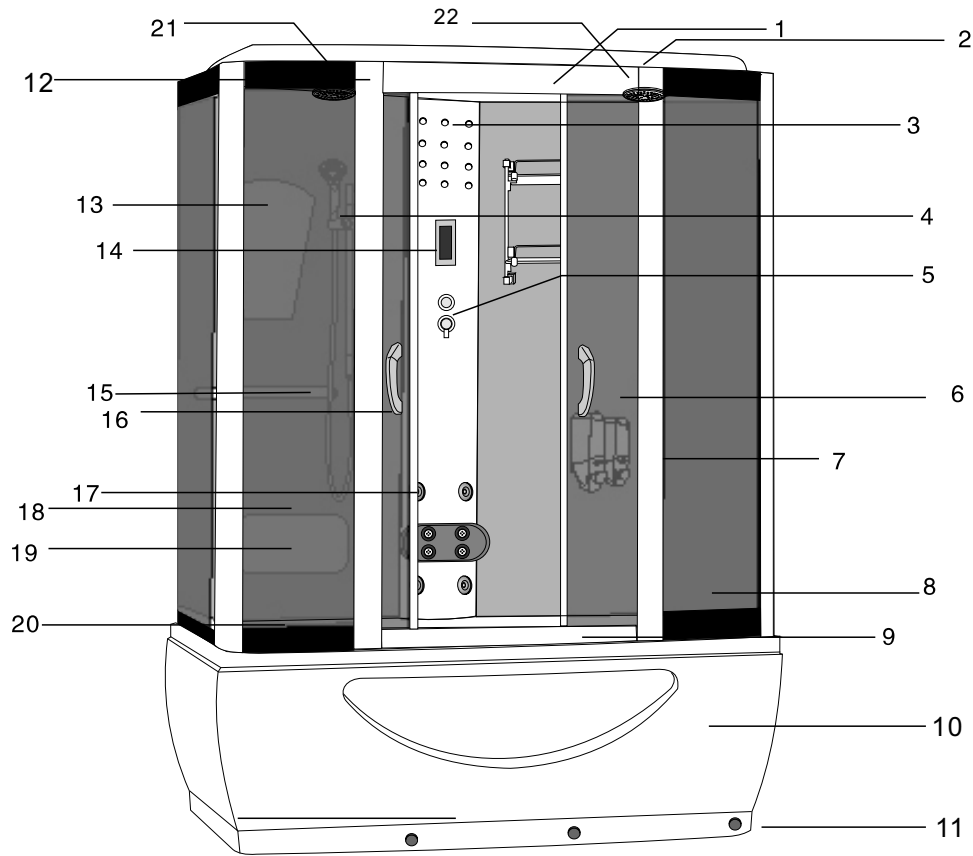
Working water Pressure	Water flow volume	Diameter of water connection	
		Cold & Hot water	Drainer
Mpa	L/min		
0.2-0.4	8-12	G1/2"	G11/2"

◆ Tools for Installation



6 List for product's spare parts

Seris No	Name of the	Serie no	Name of the	Serie no	Name of the	Serie no	Name of the	Serie no	Name of the
1	Top shower	7	Shampoo box	13	Mirror	19	Feet massager	25	
2	Upper track	8	Fixed glass	14	Computer Control panel	20	Steam outlet	26	
3	Background Light	9	Lower track	15	Towel rail	21	Loudspeaker	27	
4	Handle shower	10	Tray	16	Handle	22	Ventilation fan	28	
5	Faucet	11	Decoration cap	17	Back nozzles	23		29	
6	Sliding glass	12	Aluminium product	18	Back glass	24		30	



7 Packing list

◆ Rubber strip and magnetic strip



"U" shaped rubber strip

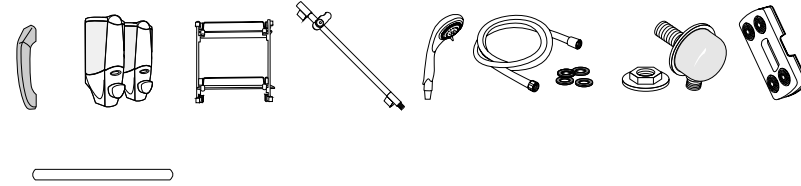


magnetic strip



sided water-resist rubber strip

◆ Spare Parts



◆ Screws & other items

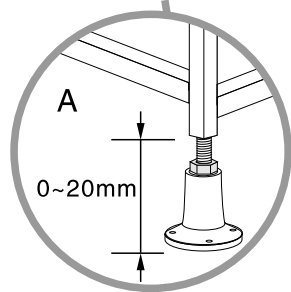
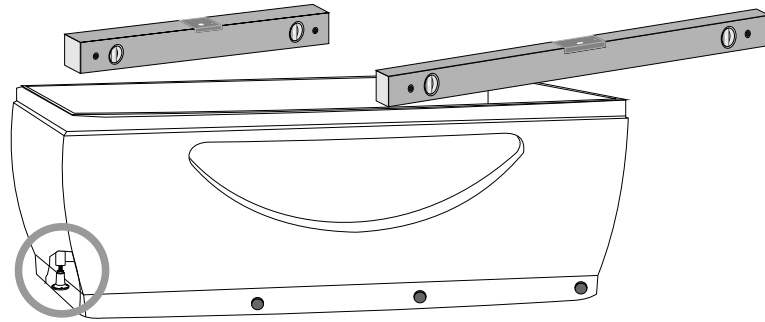
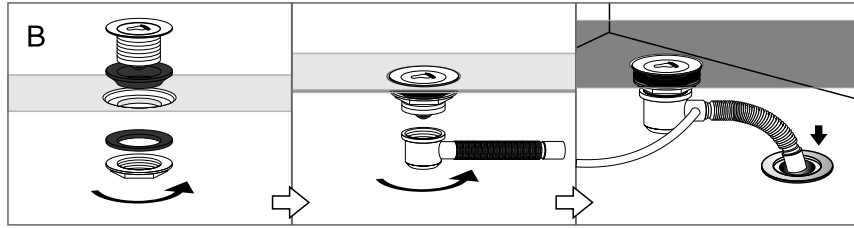


4*20mm



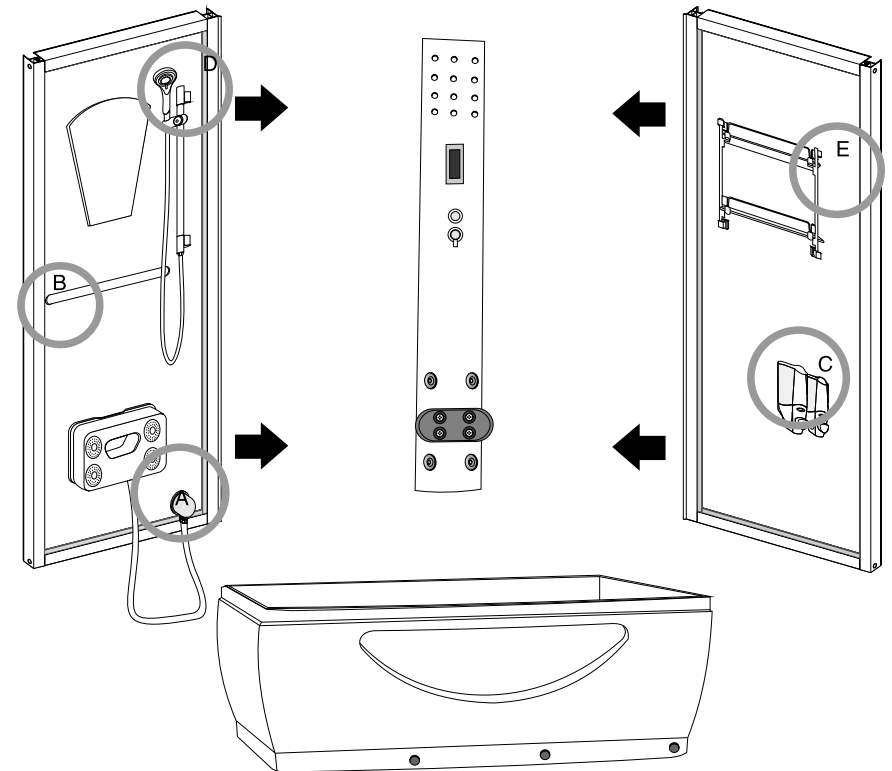
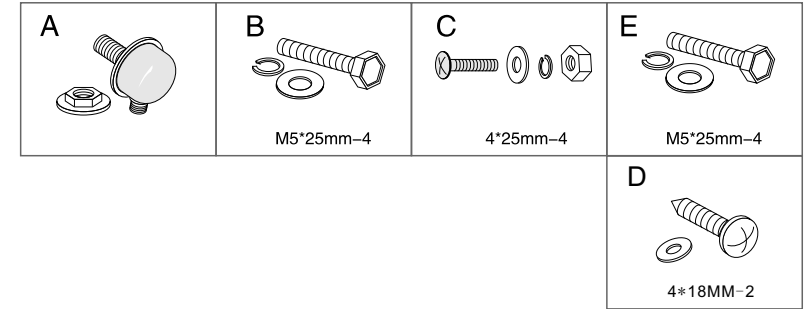
4*12mm

8 Tray installation



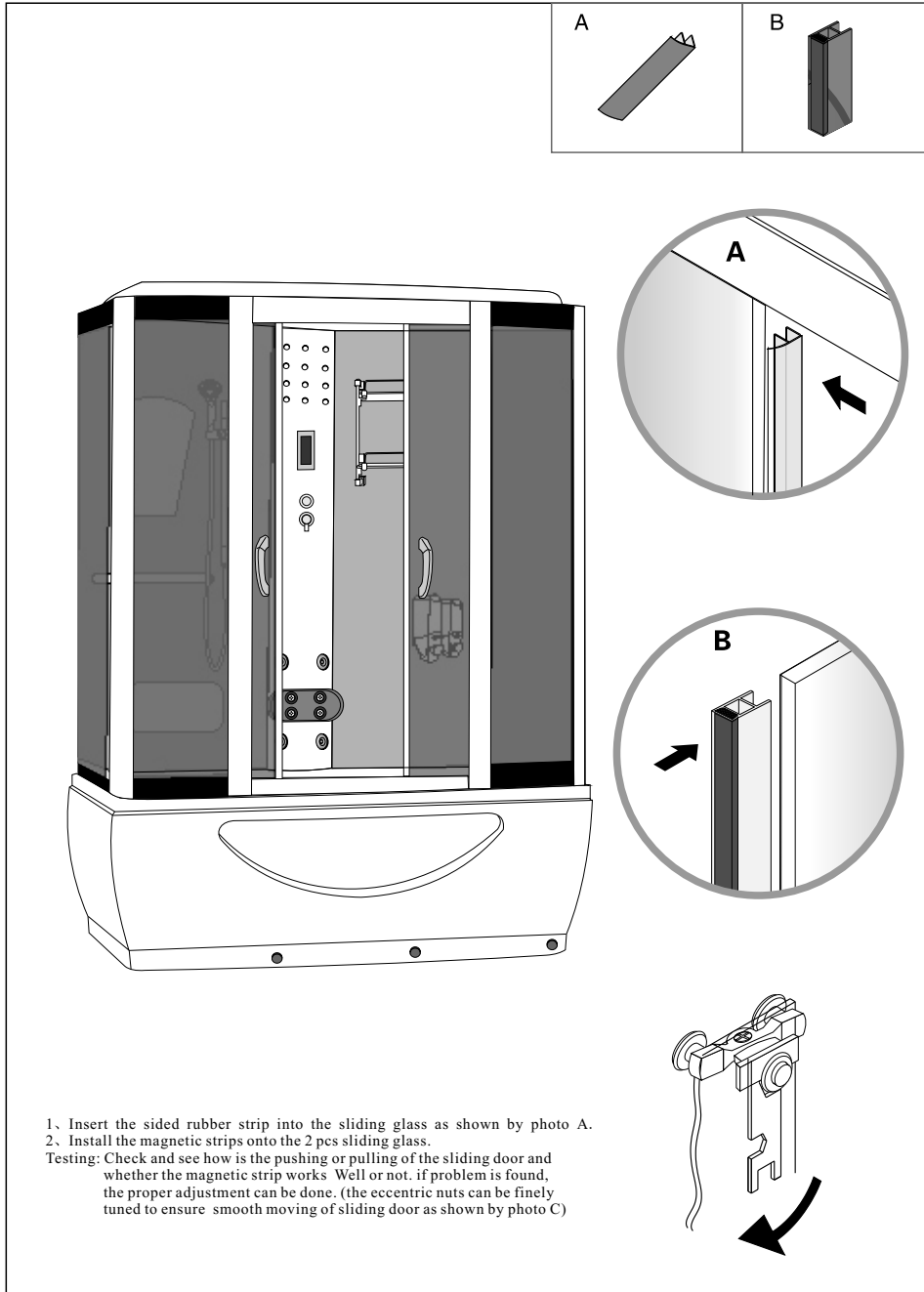
1. Move the tray to the desired position, adjust the tray legs and then check it with parallel bar to make sure each leg of the tray can bear the vertical pressing and then fasten the adjustable screws as shown by picture A.
 2. Install the drainer on the hole of the tray and connect the drainer hose to the preset hole of the ground.
- Note: if steam generator is included, make sure to connect the drain hose to the drainer.

9 Back panel installation



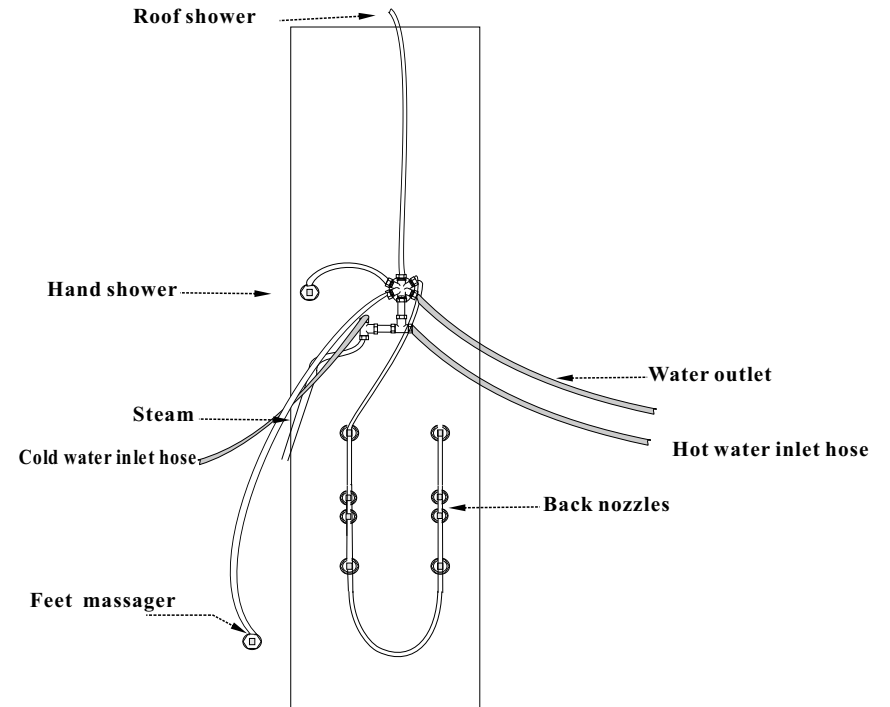
1. Please install all the accessories on the left and right back glass beforehand as the above shows.
2. fix the left and right back glass onto the faucet panel with self-tapping screws.

10 Other accessories installation



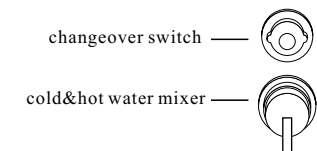
11 The installation & Usage of power and water circuit

1. The control power circuit connection : connect all the joints according to the corresponding marks on them. Be wary of misplaced connection and stay away from the water pipe joints to avoid the leakage, which might lead to short circuit and damage electric parts.
2. Water circuit connection: connect the pipe on the roof to the roof shower and the user's cold & hot water pipe to the shower's mixer joints.
3. Check out all the connection and installation to ensure it is connected correctly and firm. Put the neutral silicon on any gaps of joints from the shower to prevent leakage and then put the shower at the preset position. Try to test all the options of the shower to check they can work properly. (the water supply can not be connected till 24 hours after the silicon get dry. The power can be used normally)



The Usage of water circuit control

1. The mixer valve: Switch on or off the mixer by pulling up or pulling down the valve; adjust the water temperature by turning the valve leftward or rightward when the valve is on.
2. Diverter: Change options among the roof shower, hand-held shower, feet massager, back nozzle by swirling the handle on the diverter leftward or rightward.



12 The solutions to common breakdowns

Breakdowns	Analysis Reasons	Solutions
No power or leakage protection switch off	loose power connection, leakage protection switch off	check and tighten the power connection
	controller wire not connected properly	check and connect the controller wire properly
	water leaks into the steam generator from the shell	connect the steam generator again after the water dry up
	power leakage on the power supply or circuit	check the power supply, circuit, and grounding to avoid power leakage
No steam emitting from the steam generator	heating tube inside the steam generator breaks down	Replace the problematic heating tube
	no water supply for the steam generator	check the water inlet valve as well the cold & hot water valve and water-supply piping system
	water-level detecting damaged or off power	check and connect again or replace it if necessary
	thermo cut-off connection off	reconnect it and replace the wire if necessary
	preset temperature lower than indoor temperature	increase the preset temperature
	preset time span up	adjust preset time span
	induction controller off	check the connection
	electric magnet valve loop of inlet water burned	measure the valve loop and replace it if broken
	no AC-220V output from the main control computer	replace the main control computer
	thermo cut-off connection switch broken or temperature-detector	replace the main control computer
	Broken	check and replace it
	leakage protection plug off while steam generator is working	the leakage protection switch damped
blue smoke emitted from steam generator	the loop of water inlet electric magnet valve burned	check and replace it
	the overflow tube or air hole of steam generator blocked	clean the air hole, reconnect the overflow pipe to make no water left inside
	water-detector gets broken	check and replace it
roof light or back ground light fails to light	connection loose	undo and reconnect it
	light bulb damaged	replace the light bulb
	the fuse in the electric parts burned	replace the fuse with new one of the same specification
Ventilation fan doesn't work	connection loose	undo and reconnect it
	ventilation fan damaged	replace the old with new one
No sound from loudspeaker	the Volume on the computer is set too low	Turn the Volume louder
	Do not connect the joint of loudspeaker properly	undo and reconnect it or replace it with new one if necessary
	The controller box can not function well	Replace the old controller box with new one
	No audio-video signal output from the sound source	Check the audio-video connection
Bad sound from the loudspeaker	Antenna is not extended or in a bad direction	Extend the antenna and adjust it in a proper direction
	The radio frequency is not well tuned	Retune the radio frequency
	Weak signal area	Manually fine-tune the frequency to improve the sound effect
Remote control fails to work	The remote control does not aim at the receiving window	Aiming at the Receiving window
	No power for the battery of remote control or damaged	Replace the battery or remote control if damaged.
No jetting or showering or water pressure too low	Water pressure abnormal	Check the water supply pressure
	Diverter not connected or blocked	Connect the diverter or repair it if blocked.
	Inlet water pipe broken or blocked	Check and replace the inlet water pipe or clean the pipe if blocked.
	The filtration net of cold&hot water valve blocked	Clean the filtration net of the high pressure throat of valve

13 Cleansing & Maintenance

Breakdowns	Analysis Reasons	Solutions
The pump does not work properly	The air switch or air pipe not connected well or the air pipe leaks	Check and insert the air pipe or replace it if air leakage is found
	The air switch can not be closed up	Check the air switch if there is any flaw when the air pipe not connected. If problem is found, replace it with new one.
	The air pressure is not adequate	Open the air switch and check. If there is hole on the air washer or whether air is adequate or not. If not adequate, replace it with new one
	No power pass through the pump plug	Check and connect the power of pump
Movable door can not be opened smoothly	Pump motor burned	Measure the pump motor for short circuit or off circuit, if burned, please replace with new motor
	Installation & adjustment is not carried out properly	Adjust the eccentric wheels or hinge
	Door frame is not upright and vertical	Adjust the vertical degree of door frame's shape and position

Note: The spare parts of the same specification as well as technical parameters must be used for repairing or replacement of accessories. The qualified repairman is advised to carry out the testing and repairing the breakdowns or you can contact the local dealers for repairing on the strength of valid Invoice or Receipts.

1. Cleansing on daily basis: The neutral detergent is advised to be used and then scrub it with soft cloth. If the stain can not be cleared off, the solvent containing vinegar or toothpaste can be used to cleansing first and then rinse off; if disinfection is needed, the use of formic acid or solvent containing formaldehyde should be avoided so as not to erode the surface.
2. Water stain removal: Use detergent containing weak acid to clean it such as Lemon juice, or use soft cloth to scrub it with slightly hot vinegar. After cleansing, be sure to rinse it off. The surface can be made much brighter with polish.
3. When scratches appear on the tub or glass room body, use the abrasive paper (1200#) to scrub the scratched area first and then use the wet abrasive paper (1500#) to polish the area lightly till it becomes smooth. Finally, use soft cloth and toothpaste or polish to polish the area.
4. Caring for coated spare parts: The use of flannel is suggested to lightly scrub the coated surface and the use of coarse items or other solvent containing organics is strictly forbidden. The silicon air containing acid will erode the coated surface and should keep away from it.
5. Do not clean or scrub the shower body surface with coarse surface items or detergent containing chemical solvent or particles. Do not knock at the shower body with dull or sharp tools in case of damage.
6. Make sure to clean the tray frequently to reduce the residue inside. Clean the drain outlet to prevent it from being blocked.
7. The use of corrosive detergent is not allowed. The corrosive water is not allowed to be poured in the tub. The heating source of above 100 Celsius degree is not allowed to approach the tub to avoid damage.
8. Steaming: The installation of filter on the water inlet of the steam generator is strongly advised in order to reduce the sediments on the water tank in the process of usage. It is advised to clean the water dirt inside the steam generator after a period of time to prolong the use of steam generator (3 months is suggested), which is even more necessary in the area featuring hard water. The following way to remove water dirt is recommended: use 1.4 liter water to dilute 5-10 gram lemon acid; remove the connecting tube of the emitting outlet of steam generator; pour the lemon solvent into the emitting outlet, connect the tub again, keep it motionless for 60 minutes, and then open the steam generator. Stop the steam generator for 30 minutes till the water inside is drained completely.

NOTE: Be sure to avoid collision, strong jerking or heavy pressure. Handle with care if moving is needed. Please also remember to cut off the water supply and power if not in use for quite a long time and also keep the surroundings dry and ventilated without corrosive air.