

MODEL:RLJ-3016

Instructions of installation and used



SIZE: 110X80X215CM

Honoured users:

Welcome to buy shower cabin series handled by our company. For your safety , please read the instructions carefully before installation and using of the shower rooms.

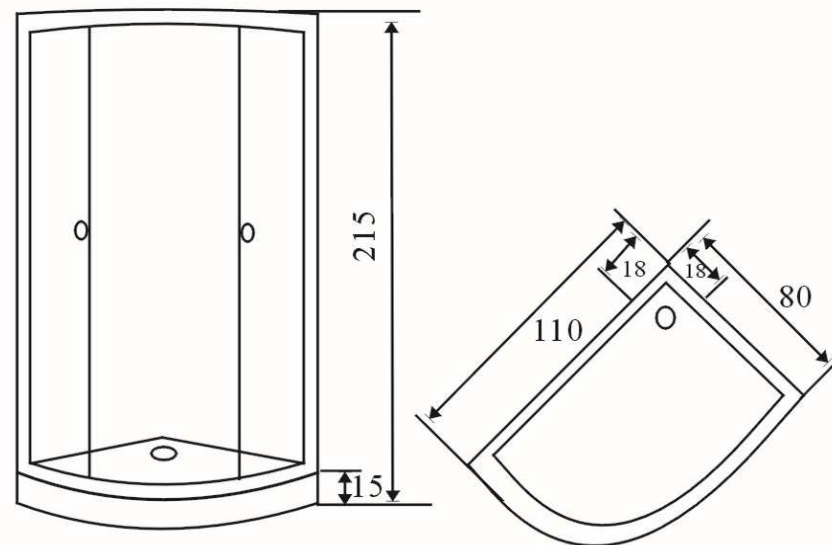
Attention: our company is committed to improve the quality of our products, get rid of the stale and bring forth the fresh. If there are some differences between instructions and our product, please excuse us for the inconvenience to you.

Catalogue:

- 1、 Preparation before installation 2-3
- 2、 Installation of products 4-10
- 3、 Instruction for using our products 11
- 4、 Maintenance and cleanness of our products 11
- 5、 Attentions about shipping and storing 11

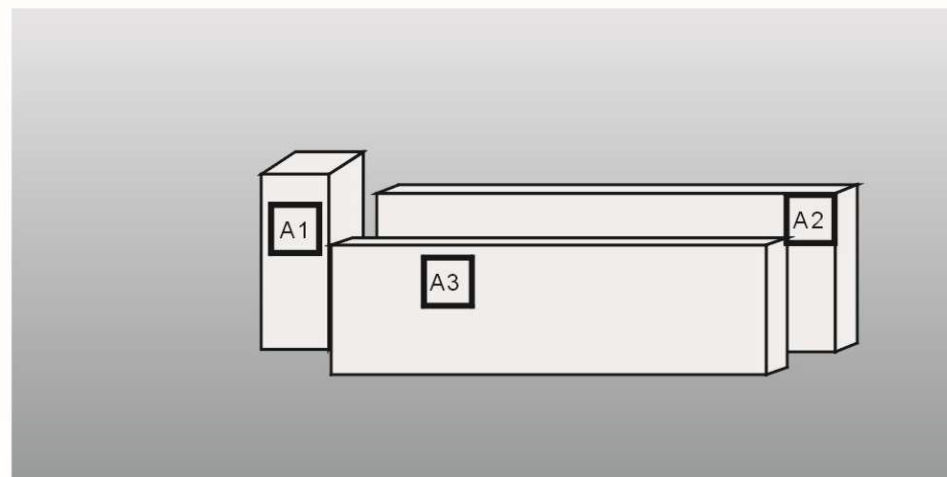
1.Preparation before installation

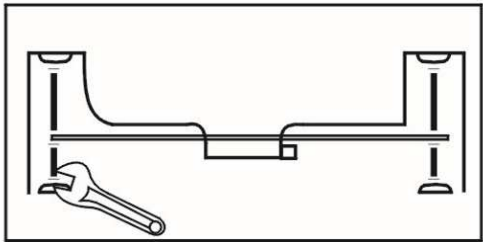
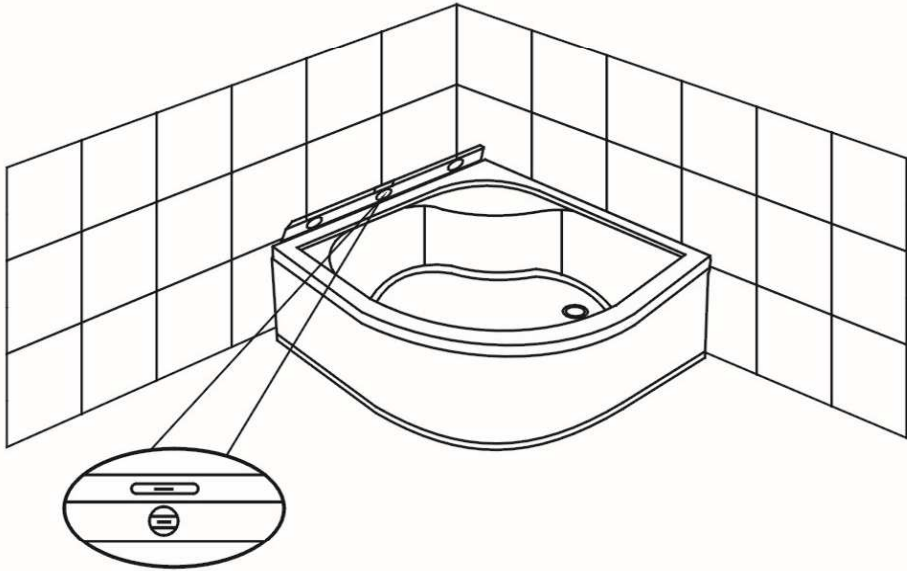
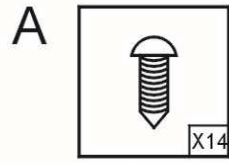
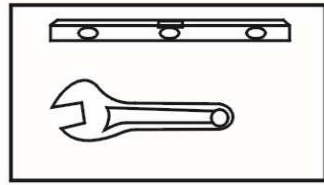
1.1. Prepare two water-sources, one for hot water and the other for cold water, an outlet, obligate one hole to exhaust the water. The diameter of the hole should not be less than 5cm.as the figure shows:



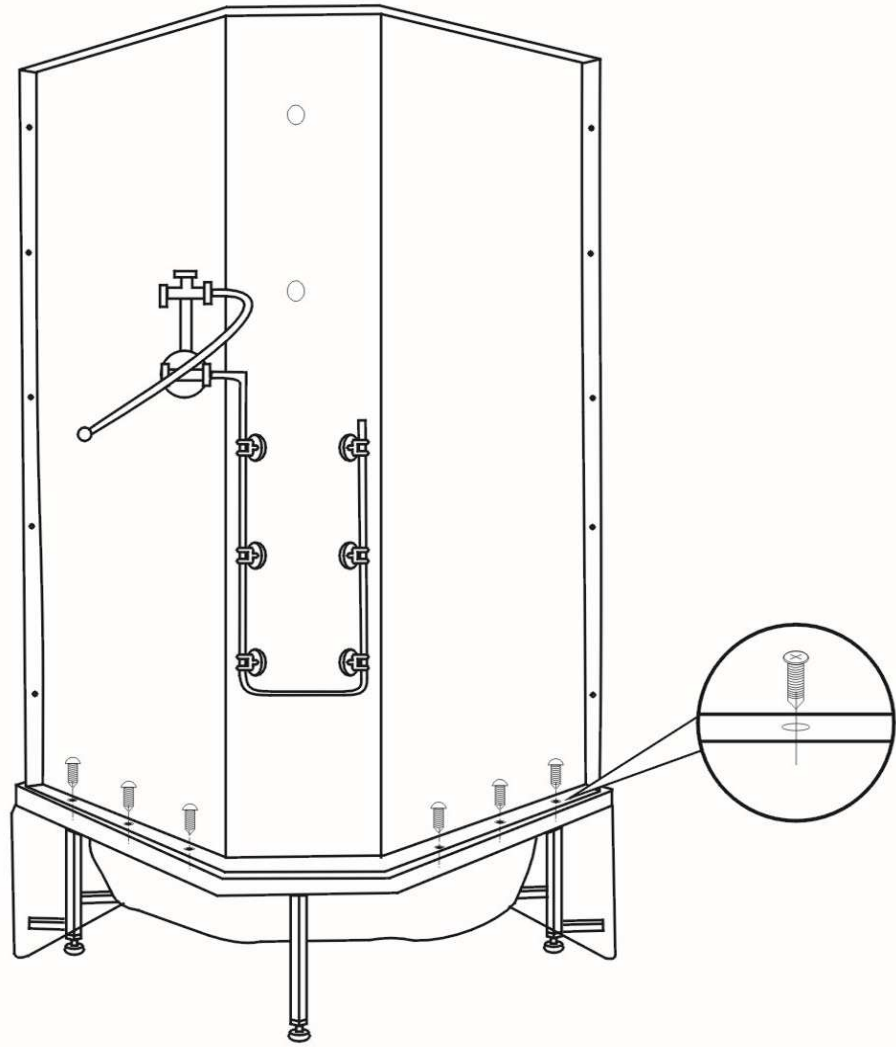
1.2 Checking the product and accessories in the package.

Three parts totally (A1:shower tray ; A2: glass door box;A3:glass board box)

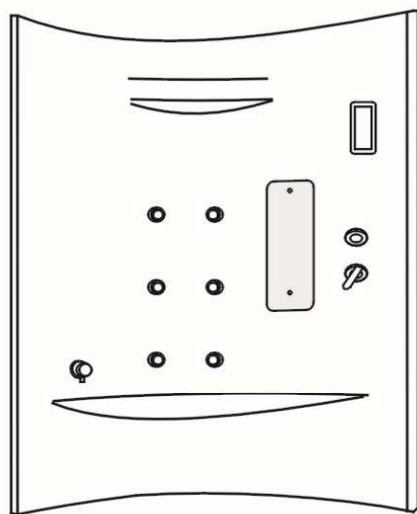




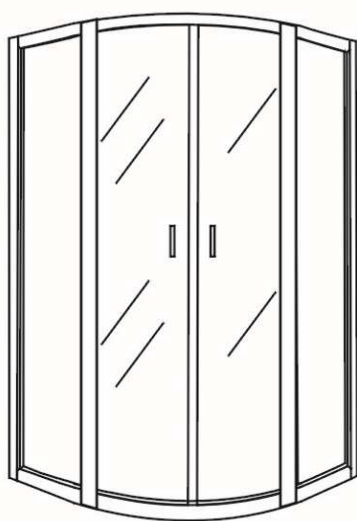
5



6



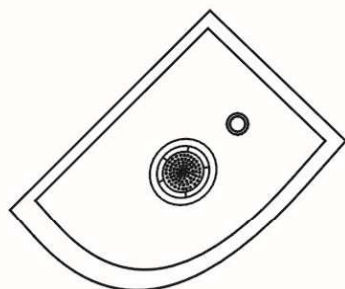
1



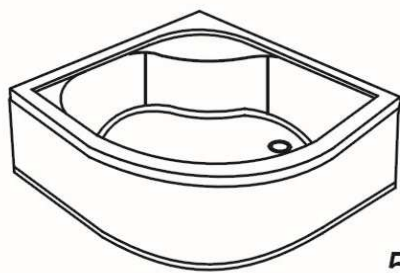
2



3

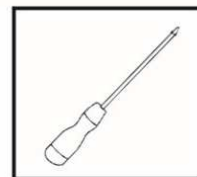
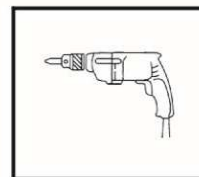


4

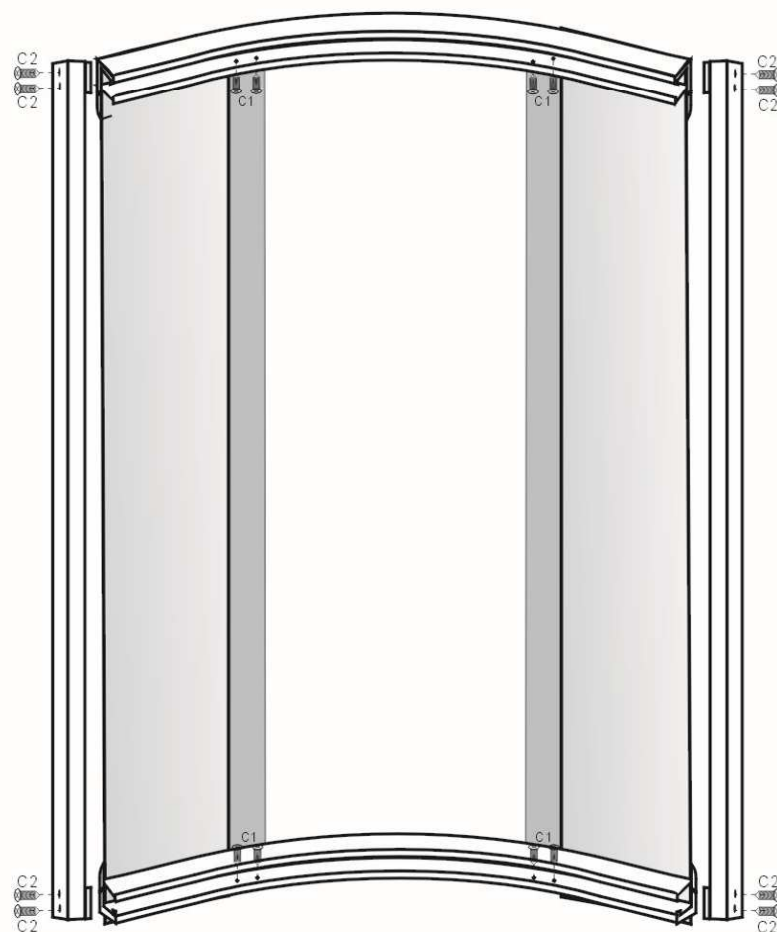
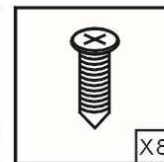
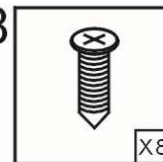


5

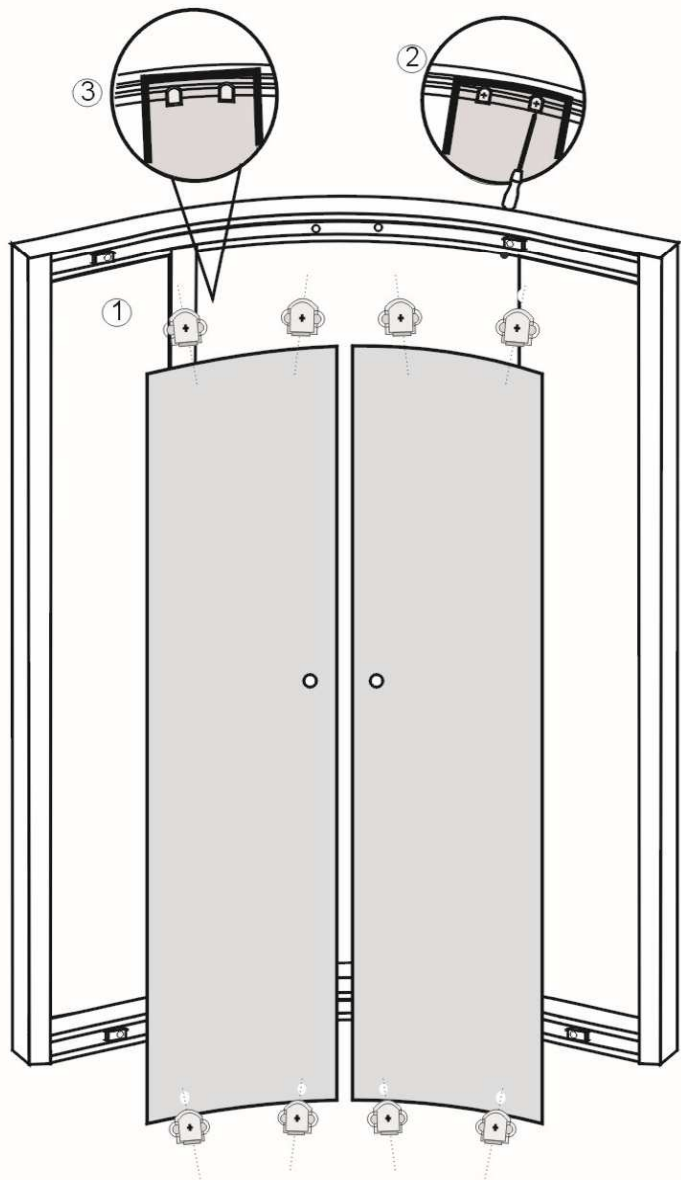
1



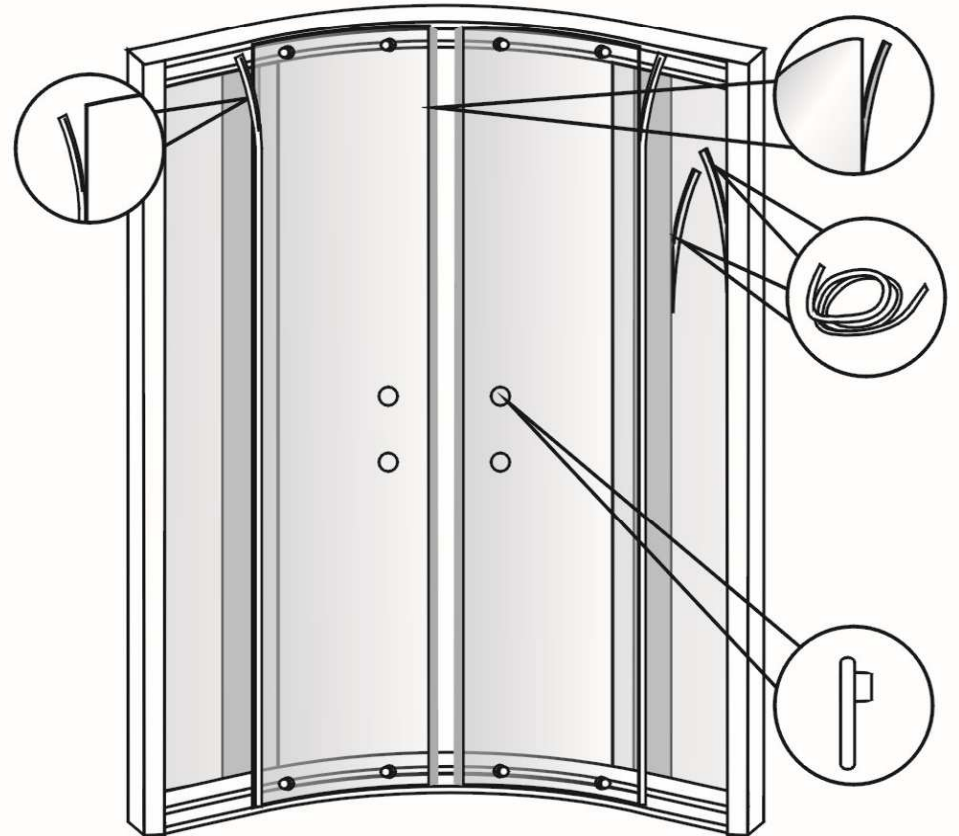
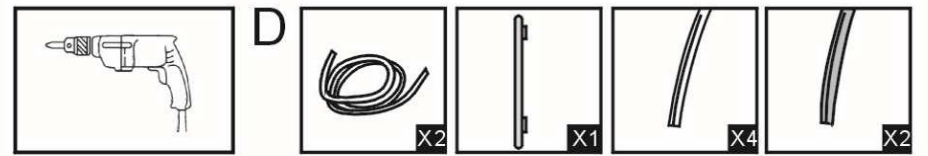
B



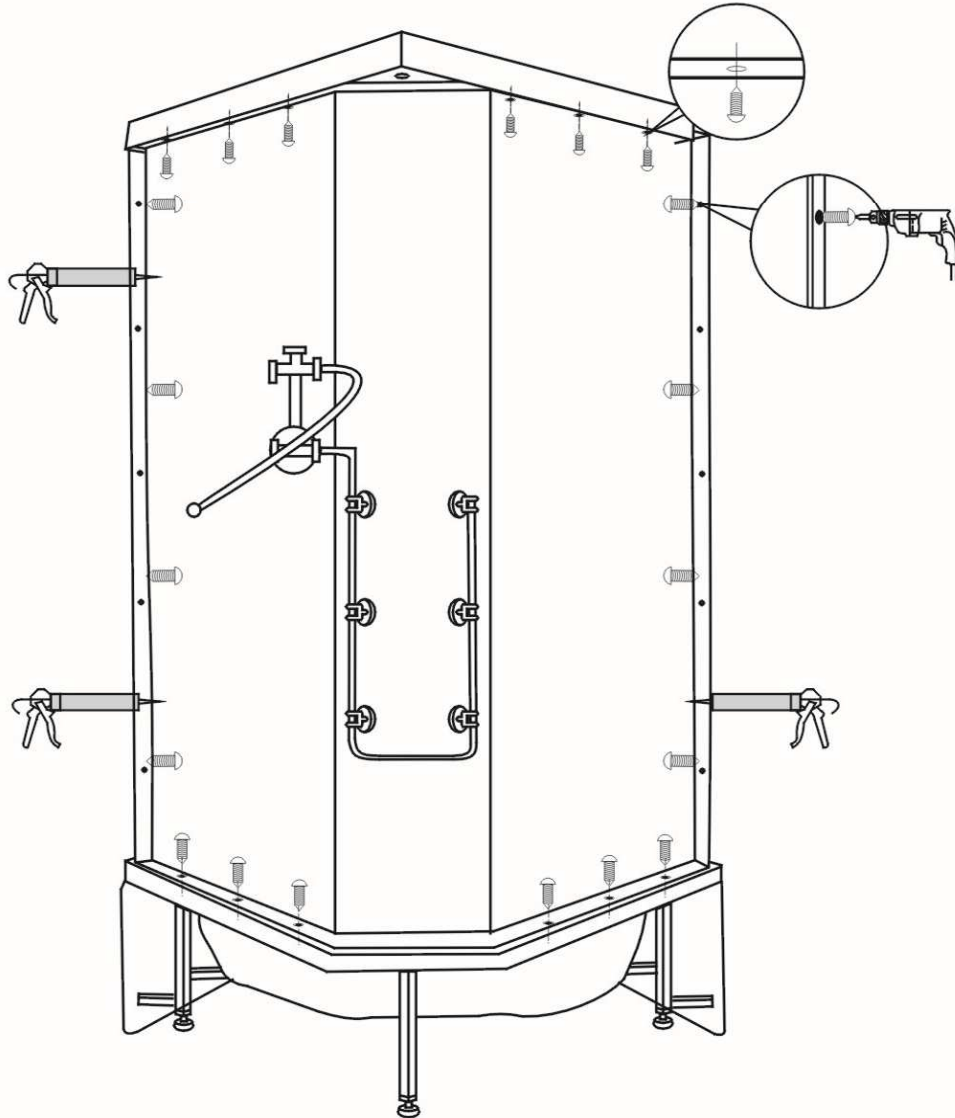
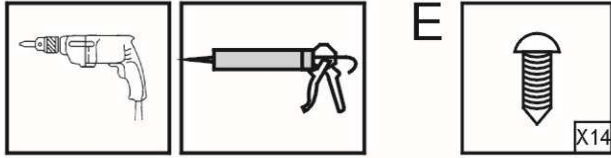
8



9



10



1.3. The voltage of the controller is AC12V, the exhaust fan's is DC12V, the loudspeaker's is DC12V.

1.4. The product should be used at temperature from 0 to 60, hydraulic pressure should be between 0.1-0.4MPA.

1.5. Notice

1.5.1. It is inadvisable to have steam bath immediately after drinking.

1.5.2. It is not suitable to have shower immediately after violent movement.

1.5.3. Try to avoid having shower or steam bath in the morning.

1.5.4. The temperature of the water should be better not exceed 43 ,38 .

1.5.5. You should leave the shower room immediately if you feel uncomfortable when you are having a bath.

1.5.6. It isn't advisable to have a long time bath. The bath time should not exceed 20 minutes.

1.5.7. After the shower or steam bath, you should drink water to replenish you body.

1.5.8. It isn't suitable for people having heart disease, high blood pressure, or diabetes and pregnant woman to have a massage or steam.

2. The maintenance and cleanliness of the product.

2.1. You can use common liquid detergent and soft cloth to wash your shower room, the detergent shouldn't have the constit of a mmonnia or acetone. If there is some adhesive material of the sticky tape left on the shower room, you can use soft cloth and gasoline to wipe it out.

2.2. If there are some scratches on the shower room, rubbing them with 1500#-2000# sandpaper, then plaster some toothpaste and use soft cloth to polish it.

2.3. Gold-filled and chrome-plated accessories don't need much wiping.

2.4. Don't clean the shower room with rough tools or detergent with chemicals solvents.

2.5. Don't knock and scratch the shower room with blunt objects or sharp tools.

3. Transport and store tips

3.1. Keep the right side up and don't net the products. Don't put the products together with organic solvents, such as formic acid and fermaldehgde.

3.2. Handle these products gently, avoid heavy pressure, mechanical shock and violent movement.

3.3. If you do not use the product for a long time, please keep the environment dry and ventilate. And there is no corrosive gas.